



**STATIC CURTAIN TYPE FIRE DAMPER**  
**1 1/2 HR. LABEL • VERT. OR HORIZ.**  
**FOR USE IN STATIC SYSTEMS**  
**MODELS: 0130V & 0130H (TYPES CR & CO)**



**QUALIFICATIONS:**

- **UL 555 & CAN/ULC-S112 CLASSIFIED FIRE DAMPER. 1 1/2 hr. label (File # R9492).**
- **Meets all the requirements of UL and NFPA 80, 90A and 101 for fire dampers in static HVAC systems, as well as IBC and NBC (Canada) Building Code requirements.**
- **City of New York Board of Standards and Appeals. Cal. No. 460-88-SA.**
- **California State Fire Marshal: Fire Damper Listing No. 3225-0935:0100.**

Model 0130 curtain fire damper is UL approved for use where local building codes require the protection of HVAC ductwork penetrations in walls, partitions or floors that have a fire resistance rating of up to 2 hours. The 0130 is classified for use only in static "fans off" systems where the HVAC system is automatically shut down in the event of a fire alarm. Type CR round and CO oval fire dampers use transition collars to place the curtain blade pack and damper frame out of the airstream, providing 100% free area.

**STANDARD CONSTRUCTION:**

- Frame:** 4 1/4" (108) wide, 22 ga. (0.85) roll-formed G60 galvanized steel.
- Blades:** Curtain type interlocking blades, 22 ga. (0.85) roll-formed G60 galvanized steel.
- Enclosure:** 22 ga. (0.85) galvanized steel.
- Fusible Link:** 165°F (74°C) standard. UL Listed. 212°F (100°C) available.
- Blade Closure:** Vertical mount model; gravity. Horizontal mount models are equipped with stainless steel closure springs and galvanized steel locking ramps.

**Sizes (Duct W x H):**

Model Type	Minimum		Maximum		
	Single Section		Single Section	Multiple Section	
	Vertical	Horizontal	Vertical/Horizontal	Vertical	Horizontal
Round CR	3" (76) dia.	4" (102) dia.	53" (1346) dia.	112" (2896) dia.	53" (1346) dia.
Oval CO	4" x 3" (102 x 76)	5" x 4" (127 x 102)	58" x 53" (1473 x 1346)	118" x 112" (2997 x 2845)	① 100" x 53" (2540 x 1346)

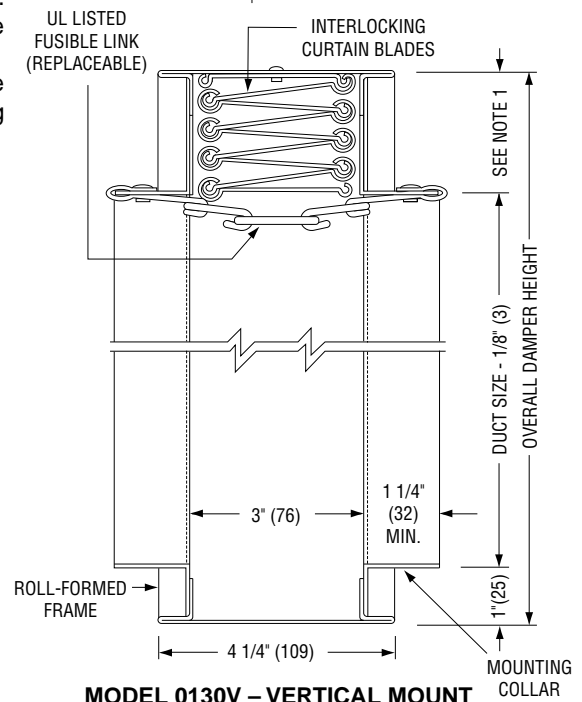
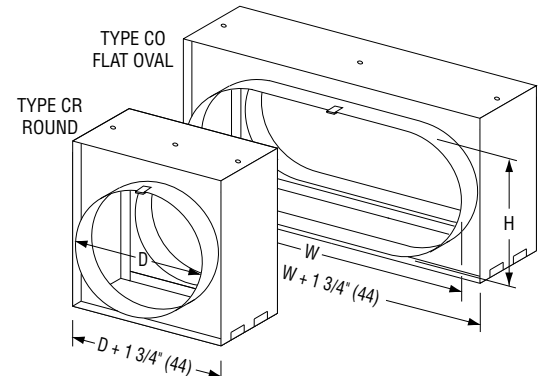
① Maximum individual sections not to exceed 34" x 60" (684 x 1524).

**OPTIONS:**

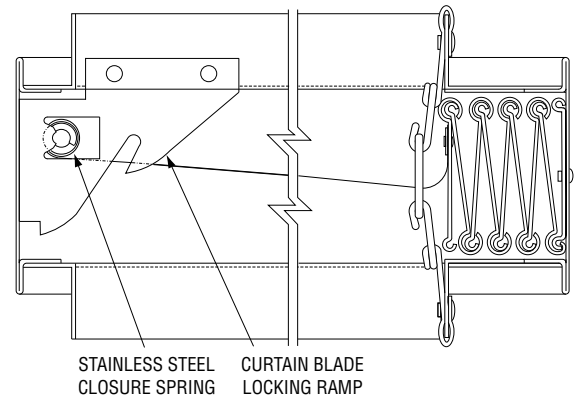
- Non-standard temperature fusible link. Specify \_\_\_\_\_.
- LP** Unsealed. Suitable for low pressure systems.
- HP** Sealed. Suitable for medium/high pressure systems. Externally caulked. (Up to 6 w.g. [1.5 kPa]).
- Factory Sleeve. Available in 10 (3.5) through 22 ga. (0.85) galv. steel and in lengths required for application. Specify: \_\_\_ length. \_\_\_ ga.

**NOTES:**

- See sizing chart for relationship of duct size and damper size. Refer to drawing 0100-MSSC.



**MODEL 0130V – VERTICAL MOUNT**



**MODEL 0130H – HORIZONTAL MOUNT**

For installation instructions, see IOM-FDINST.

Dimensions are in inches (mm).

<b>SCHEDULE TYPE:</b>
<b>PROJECT:</b>
<b>ENGINEER:</b>
<b>CONTRACTOR:</b>

<b>DATE</b>	<b>B SERIES</b>	<b>SUPERSEDES</b>	<b>DRAWING NO.</b>
4 - 28 - 14	FD	10 - 6 - 06	0100-3