



**STATIC OUT OF WALL CURTAIN TYPE FIRE DAMPER  
FOR GRILLES AND REGISTERS  
FOR USE IN STATIC SYSTEMS  
MODEL: 0110GOW (TYPE A)**



**QUALIFICATIONS:**

- **UL 555 & CAN/ULC-S112 CLASSIFIED FIRE DAMPER.**  
1 1/2 hr. label (File # R9492).
- **Meets all the requirements of UL and NFPA 80, 90A and 101 for fire dampers in static HVAC systems, as well as IBC and NBC (Canada) Building Code requirements.**
- **City of New York Board of Standards and Appeals. Cal. No. 460-88-SA.**
- **California State Fire Marshal: Fire Damper Listing No. 3225-0935:0100.**

Model 0110GOW is an "out of wall or floor" integral sleeve curtain type fire damper, specifically designed for supply or return ducts that terminate at a grille or register. For use where local building codes require the protection of HVAC ductwork penetrations in walls, partitions or floors that have a fire resistance rating of up to two hours. The 0110GOW is classified for use only in static "fans off" systems where the HVAC system is automatically shut down in the event of a fire alarm.

The 0110GOW design provides sufficient damper off-set to accommodate most commercial grille/register designs while ensuring an approved installation in any fire partition or wall no matter how narrow. This model is particularly suited for use in common steel stud drywall partition designs, as narrow as 3 1/2" (89) where a traditional "within the plane of the wall" fire damper installation is not possible.

**FEATURES:**

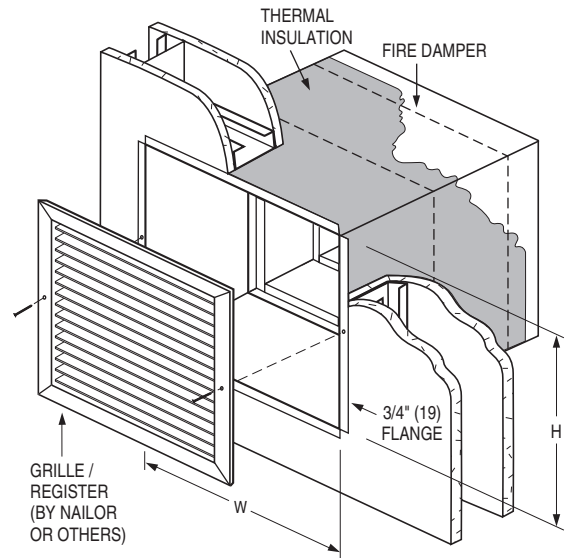
- 3/4" (19) mounting flange simplifies installation, is hidden by grille frame and eliminates the requirement for unsightly mounting angles.
- Qualified for use with steel or alum. grilles and registers (by Nailor or others).
- Shipped complete with integral insulated sleeve. No field assembly required.
- Suitable for partition/wall thicknesses up to 8" (203) (see notes).
- Can be installed completely from grille side of wall.
- Rear retaining angles are not required.
- UL Classified for vertical or horizontal installation.
- Qualified for use in Static Systems.

**STANDARD CONSTRUCTION:**

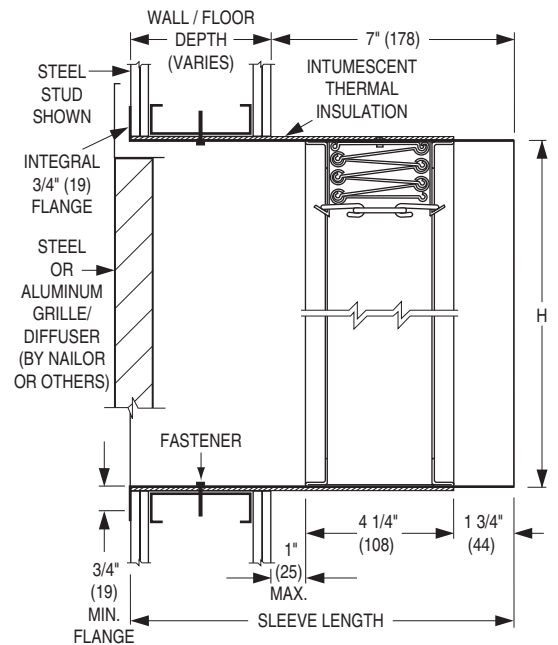
- Frame:** One piece, 22 ga. (0.85) roll-formed galvanized steel.  
**Blades:** Curtain type interlocking blades, 22 ga. (0.85) roll-formed galvanized steel.  
**Fusible Link:** 165°F (74°C) std. UL Listed. 212°F (100°C) available.  
**Sleeve:** 16 ga. (1.61) galvanized steel with 3/4" (19) wide mounting flange. Length varies to suit wall/floor depth.  
**Blade Closure:** Vertical mount model; gravity.  
Horizontal mount models are equipped with stainless steel closure springs and galvanized steel locking ramps.  
**Insulation:** Intumescent thermal insulation on four sides.

**Sizes (Duct W x H):**

Minimum	Maximum
Single Section	Single Section
Vertical/Horizontal	Vertical/Horizontal
4" x 4" (102 x 102)	36" x 24" (914 x 610)



**STANDARD DAMPER/SLEEVE:**



**NOTES:**

Sleeve Length Formula:  
 Wall or Floor Depth + 7" (178)  
 Example: Wall Depth 4" (102) + 7" (178) = 11" (279)

For installation instructions, see IOM-FDGOWINST.

Dimensions are in inches (mm)

<b>SCHEDULE TYPE:</b>				
<b>PROJECT:</b>				
<b>ENGINEER:</b>	<b>DATE</b>	<b>B SERIES</b>	<b>SUPERSEDES</b>	<b>DRAWING NO.</b>
<b>CONTRACTOR:</b>	9 - 1 - 23	FD	1 - 13 - 23	0100-8