



STATIC WIDE FRAME CURTAIN FIRE DAMPER
 1 1/2 HR. LABEL • VERT. OR HORIZ.
 FOR USE IN STATIC SYSTEMS
 MODELS: 0310V AND 0310H (TYPE A)



QUALIFICATIONS:

- UL 555 & CAN/ULC-S112 CLASSIFIED FIRE DAMPER. 1 1/2 hr. label (File # R9492).
- Meets all the requirements of UL and NFPA 80, 90A and 101 for fire dampers in static HVAC systems, as well as IBC and NBC (Canada) Building Code requirements.
- City of New York Board of Standards and Appeals. Cal. No. 460-88-SA.
- California State Fire Marshal: Fire Damper Listing No. 3225-0935:0100.

Model 0310 curtain fire damper is UL approved for use where local building codes require the protection of HVAC ductwork penetrations in walls, partitions or floors that have a fire resistance rating of up to 2 hours. The 0310 is classified for use only in static "fans off" systems where the HVAC system is automatically shut down in the event of a fire alarm. The wide frame design reduces the number of blades required in the curtain stack, which increases the free area and therefore reduces the pressure drop across the damper when compared to standard Type A curtain fire damper designs.

STANDARD CONSTRUCTION:

- Frame:** 6" (152) wide, 22 ga. (0.85) roll-formed G60 galvanized steel.
- Blades:** Curtain type interlocking blades, 22 ga. (0.85) roll-formed G60 galvanized steel.
- Fusible Link:** 165°F (74°C) standard. UL Listed. 212°F (100°C) available.
- Blade Closure:** Vertical mount model; gravity. Horizontal mount models are equipped with stainless steel closure springs and galvanized steel locking ramps.

Sizes (Duct W x H):

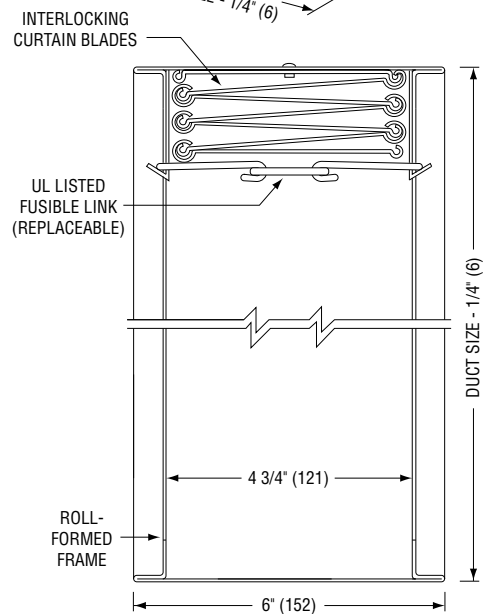
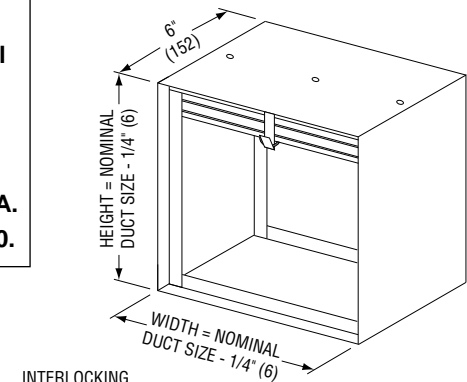
Minimum	Maximum	
Single Section	Single Section	
Vertical/Horizontal	Vertical	Horizontal
4" x 4" (102 x 102)	60" x 48" or 24" x 60" (1524 x 1219 or 610 x 1524)	48" x 48" (1219 x 1219)

OPTIONS:

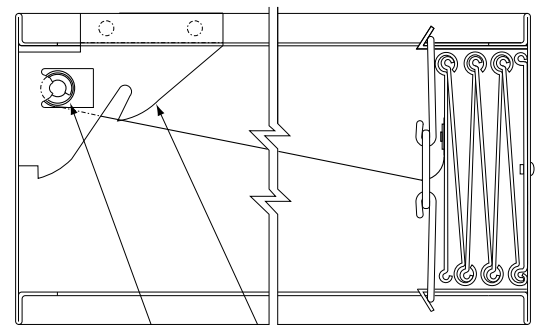
- Non-standard temperature fusible link. Specify _____.
- PT Pull Tab Release. Permits simple reset of horizontal damper when access door is located below damper. (See dwg. ACC-PTR for details).
- Factory Sleeve. Available in 10 (3.5) through 22 ga. (0.85) galvanized steel and in lengths required for application. Specify: _____ length. _____ ga.

NOTES:

1. See sizing chart for relationship of duct size and damper size. Refer to drawings SC5 and SC6.



MODEL 0310V – VERTICAL MOUNT



MODEL 0310H – HORIZONTAL MOUNT

For installation instructions, see IOM-FDINST.

Dimensions are in inches (mm).

SCHEDULE TYPE:
PROJECT:
ENGINEER:
CONTRACTOR:

DATE	B SERIES	SUPERSEDES	DRAWING NO.
4 - 28 - 14	FD	2 - 16 - 05	0300-1