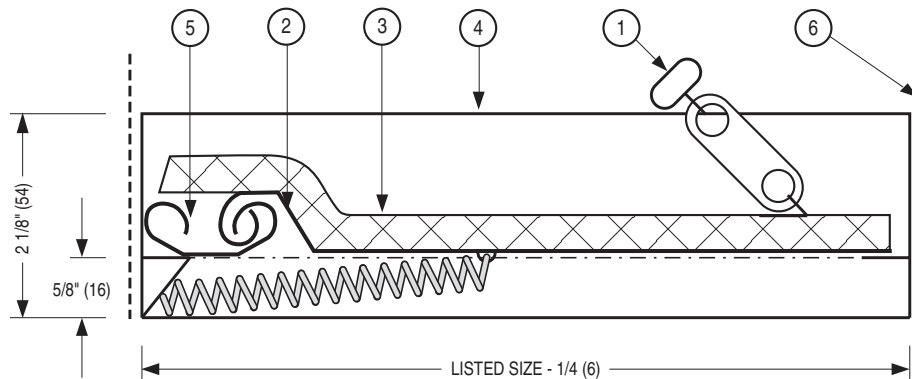


CEILING RADIATION DAMPER
SINGLE BLADE
SQUARE OR RECTANGULAR
MODEL: 0714

CLOSED POSITION
QUALIFICATIONS:

- **UL 555C CLASSIFIED CEILING DAMPER (File # R9660).**
- **CAN4-S112.2 Ceiling Firestop Flap Assemblies.**
- **Meets the requirements for NFPA 90A, IBC, NBC (Canada) and associated local building codes.**
- **City of New York Board of Standards and Appeals. Cal. No. 460-88-SA.**
- **California State Fire Marshal: Fire Damper Listing No. 3225-0935:0102.**

DESCRIPTION:

Ceiling dampers, or ceiling radiation dampers (known as Fire Stop Flaps in Canada), are designed to function as a fire and heat barrier in air duct openings penetrating fire resistive membrane ceilings. Model 0714 is for use in square or rectangular applications, in lieu of hinged door type dampers in any UL/ULC floor/ceiling or roof/ceiling assembly with up to a 3 hour fire resistance rating where air ducts are allowed.

Model 0714's single blade design provides maximum free area and no obstruction to airflow when open.

STANDARD CONSTRUCTION:

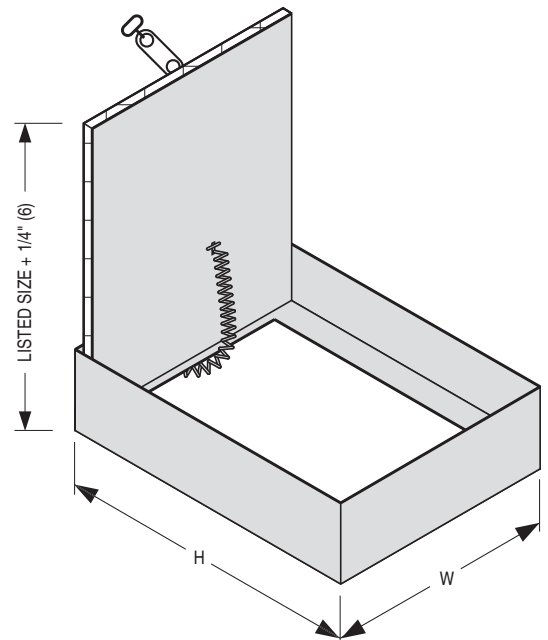
1. **Fusible Link:** UL Listed, 212°F (100°C), standard.
2. **Blades:** 22 ga. (0.85) G60 galvanized steel.
3. **Insulation:** Non-asbestos UL Classified on units over 80 sq. in. (516 sq. cm) finished size, standard. Not required on smaller units.
4. **Frame:** Roll-formed 22 ga. (0.85) G60 galvanized steel.
5. **Hinge**
6. **Duct Drop:** By others.

Model 0714 Sizes (Duct W x H):

Minimum	Maximum
4" x 4" (102 x 102)	24" x 24" (610 x 610)

OPTION:

1. Non-standard temperature U.L. Listed fusible link.
 165 165°F (74°C)


OPEN POSITION

For installation instructions, see IOM-CRDSINST and IOM-CRDTBINST.

Dimensions are in inches (mm).

SCHEDULE TYPE:
PROJECT:
ENGINEER:
CONTRACTOR:
DATE
B SERIES
SUPERSEDES
DRAWING NO.

4 - 28 - 14

0700

11 - 8 - 04R

0700-1