

QUALIFICATIONS:

- UL 555C CLASSIFIED CEILING DAMPER (File # R9660).
- CAN4/ULC-S112.2 Ceiling Firestop Flap Assemblies.
- Meets the requirements for NFPA 90A as well as IBC, NBC (Canada) and associated local building codes.
- City of New York MEA. No. 366-03-M.
- California State Fire Marshal: Fire Damper Listing No. 3226-0935:0102.

DESCRIPTION:

Ceiling dampers (known as Fire Stop Flaps in Canada) are designed to function as a fire and heat barrier in air handling openings penetrating fire resistive membrane ceilings. The 0700 Series is for use in lieu of hinged door type dampers in any UL/ULC floor/ceiling or roof/ceiling assembly with up to a 3 hour fire resistance rating where air handling openings are permitted.

The Model 0720 Curtain type provides a low profile design that is ideally suited to applications where the available duct drop height for installation is restricted. Compact curtain design maximizes free area in the open position.

STANDARD CONSTRUCTION:

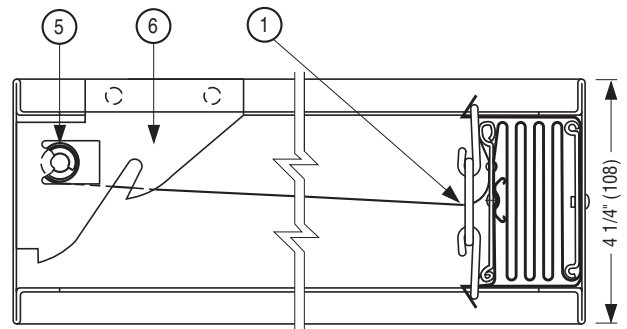
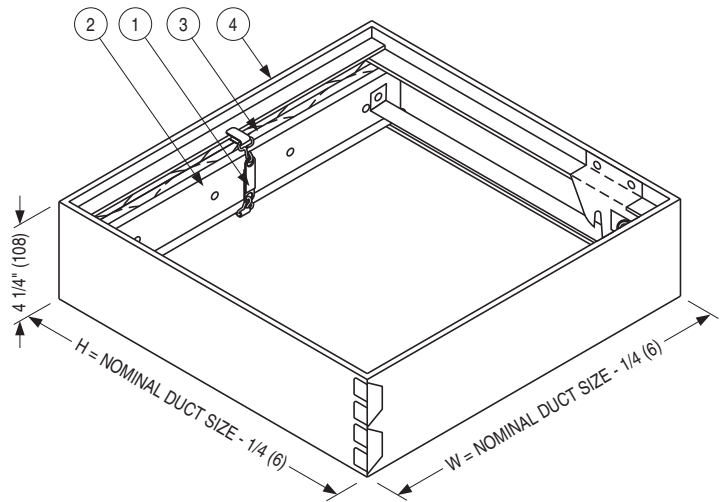
1. **Fusible Link:** UL Listed, 212°F (100°C), standard.
2. **Blades:** 22 ga. (0.85) G60 galvanized steel.
3. **Insulation:** Non-asbestos UL Classified.
4. **Frame:** Roll-formed 22 ga. (0.85) G60 galvanized steel.
5. **Spring:** Stainless steel negator closure spring.
6. **Ramp:** Curtain blade locking ramp.

Models 0720 and 0720B Sizes (Duct W x H):

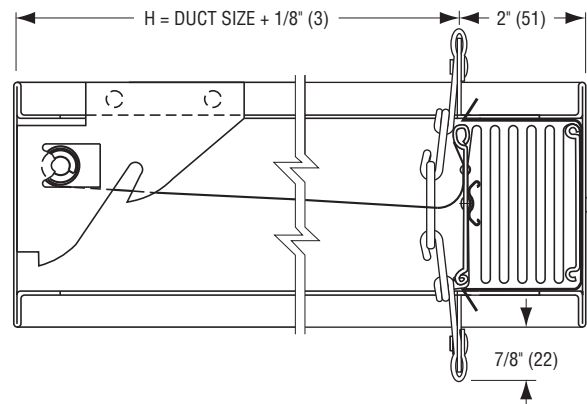
Minimum	Maximum	
	0720	0720B
6" x 4" (152 x 102)	18" x 18" (457 x 457)	18" x 16" (457 x 406)

OPTION:

1. Non-standard temperature U.L. Listed fusible link.
 165 165°F (74°C)



MODEL 0720



MODEL 0720B: TYPE B

Type B places the curtain out of the airstream for higher free area and reduced pressure drop.

For installation instructions, see IOM-CRDSINST and IOM-CRDTBINST.

Dimensions are in inches (mm).

SCHEDULE TYPE:				
PROJECT:				
ENGINEER:		DATE	B SERIES	SUPERSEDES
CONTRACTOR:		4 - 28 - 14	0700	5 - 30 - 08R
				DRAWING NO.
				0700-6