

QUALIFICATIONS:

- **UL 263 CLASSIFIED CEILING DAMPER.** Category CABS. (File # R9660).
- **1 hour rated for use in UL floor/ceiling design numbers L528/L546/L550/L558/L562/L574/L576/L579/L581/L583/L585/M501/M503 and roof/ceiling design numbers P531/P533/P538/P545/P547/P552.** (Other proprietary UL design numbers may be similar. Local approval by AHJ is required to use a Nailor design when not specified).
- **Meets NFPA 90A requirements.**

DESCRIPTION:

Ceiling dampers are designed to function as a heat barrier in air handling openings penetrating fire resistive membrane ceilings. Model 0756D has been especially designed and tested to provide protection and simple installation in specific UL design wood truss ceiling assemblies.

Model 0756D is designed for installation in the supply (or return) ductwork take-off from an AHU where it penetrates the ceiling and provides a single or multiple-outlet (up to three) plenum to feed 0756/grille or diffuser assemblies. May also be used as a return.

STANDARD CONSTRUCTION:

- Fusible Link:** UL Listed, 212°F (100°C), standard.
- Blades:** 22 ga. (0.85) roll-formed galv. steel.
- Blade Insulation:** Non-asbestos UL Classified.
- Damper Frame:** 22 ga. (0.85) galvanized steel.
- Steel Plenum/ Sub-Frame:** 26 ga. (0.55) minimum with round connection collar(s).
- Duct:** UL Classified Class 0 or 1 flexible air duct connection by others.
- Flange:** Plaster flange.
- Damper Mounting:** Damper sleeve is extended below ceiling for ducted connection. Damper is mounted in sub-frame to be flush with ceiling when installed.

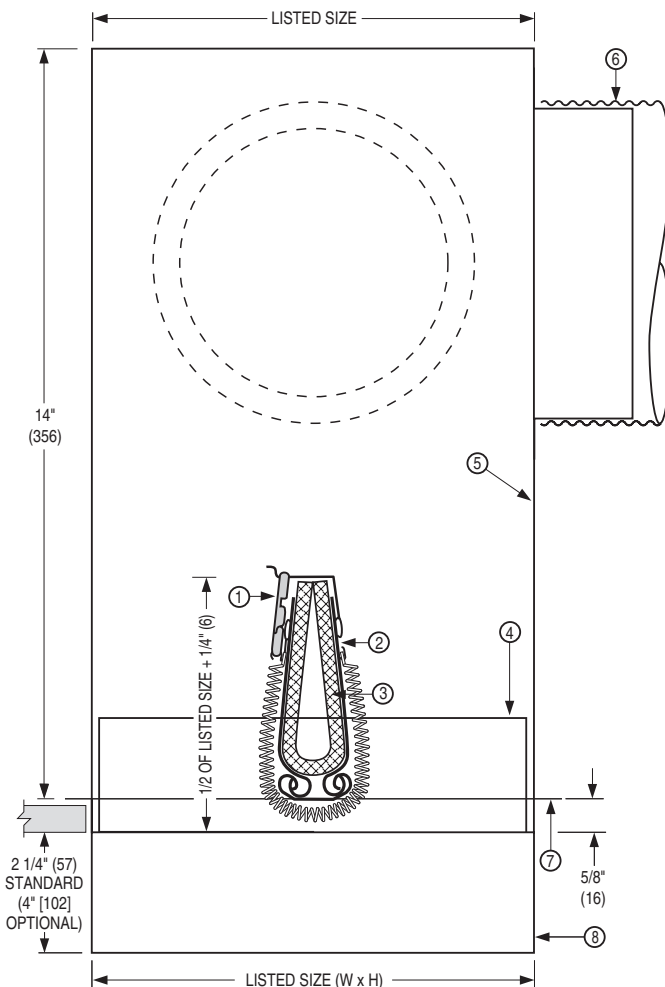
Model 0756D Sizes (Duct W x H):

Minimum	Maximum
6" x 4" (152 x 102)	18" x 18" (457 x 457)

Available Duct Connection Size: 4" through 10" (102 – 254) dia. Maximum quantity is three.

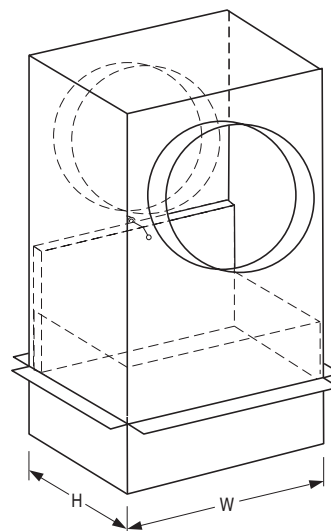
OPTIONS:

- Non-standard temp. UL listed fusible link
 165 165°F (74°C)
- Plaster Ground Extension:
 PG2 2 1/4" (57) standard
 PG4 4" (102) optional
- Damper Style:
 0716 Butterfly (Two Blades) Damper standard
 0714 Single Blade Damper
 0720 Low Profile Curtain Damper
- Installation Support Angles. 26" (660) long.
 ISA 2 @ 3/4" x 3/4" x 16 ga. (19 x 19 x 1.6) or
 ISB 2 @ 1 1/2" x 1 1/2" x 22 ga. (38 x 38 x 0.85)



Note:

0716 style damper shown above is standard. 0714 Single Blade (right), which places damper out of the airstream or 0720 Low Profile Curtain Damper are also available.



SCHEDULE TYPE:

PROJECT:

ENGINEER:

CONTRACTOR:

For installation instructions, see IOM-CRD0756INST.
 Dimensions are in inches (mm).

DATE	B SERIES	SUPERSEDES	DRAWING NO.
9 - 13 - 21	0700	7 - 6 - 21	0756D