

QUALIFICATIONS:

- **UL 263 CLASSIFIED CEILING RADIATION DAMPER. Category CABS. (File # R9660).**
- **1 hour rated for use in UL floor/ceiling design numbers L528/L546/L550/L558/L562/L574/L576/L579/L581/L583/L585/M501/M503 and roof/ceiling design numbers P531/P533/P538/P545/P547/P552. (Other proprietary UL design numbers may be similar. Local approval by AHJ is required to use a Nailor design when not specified).**
- **Meets NFPA 90A requirements.**

DESCRIPTION:

Ceiling dampers are designed to function as a heat barrier in air handling openings penetrating fire resistive membrane ceilings. The Model 0757-CB has been especially designed and tested to provide protection and simple installation in specific UL design wood truss ceiling assemblies.

The 0757-CB assembly consists of a rectangular ceiling damper recessed in a Type CB internally insulated sheet metal register box (boot) with a round 90° side inlet collar, that accommodates a steel grille or register.

STANDARD CONSTRUCTION:

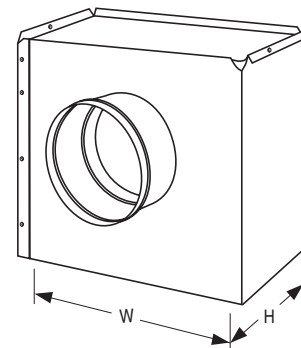
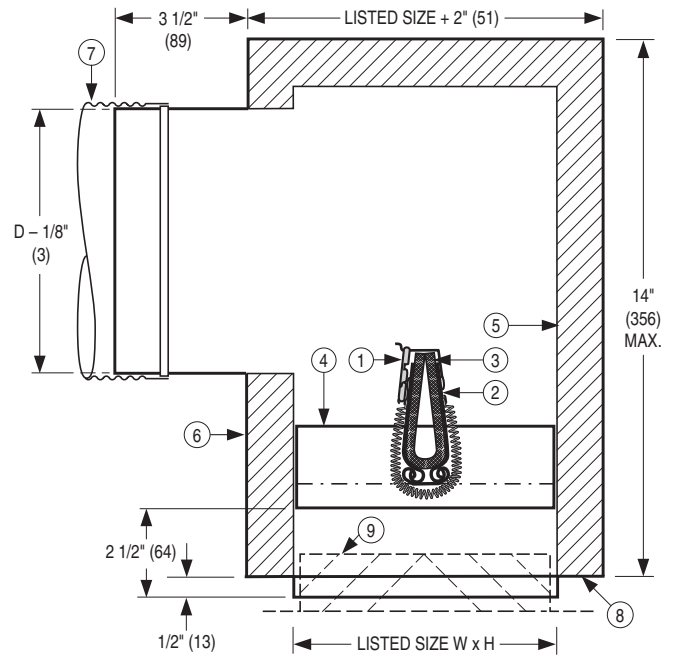
- 1. Fusible Link:** UL Listed, 212°F (100°C), std.
- 2. Blades:** 22 ga. (0.85) roll-formed galv. steel.
- 3. Blade Insulation:** Non-asbestos UL Classified.
- 4. Damper Frame:** 22 ga. (0.85) galvanized steel.
- 5. Internal Insulation:** 1 1/2" (38) R-6.3 value.
- 6. Plenum:** Steel plenum: 28 ga. (0.47) min. with round connection collar.
- 7. Duct:** UL Classified Class 0 or 1 flexible air duct connection by others.
- 8. Flange:** Plaster flange.
- 9. Steel Grille/ Register:** By Nailor or others. Standard depth for grille clearance is 2 1/2" (64).

OPTIONS:

- 1. **R8** 2" (51) thick R-8 value insulation.
- 2. Non-standard temperature U.L. Listed fusible link.
 - 165** 165°F (74°C)
- 3. Installation Support Angles. 26" (660) long.
 - ISA** 2 @ 3/4" x 3/4" x 16 ga. (19 x 19 x 1.6) or
 - ISB** 2 @ 1 1/2" x 1 1/2" x 22 ga. (38 x 38 x 0.85)
- 4. Damper Style:
 - 0716** Butterfly (two blades) standard.
 - 0714** Single blade (out of airstream).

NOTE:

Building code and UL Classification require damper installation in accordance with manufacturer's instructions, see IOM-CRD0757INST.



Dimensional Data (W x H):

Available Sizes	
W x H	Nominal Duct Size D
8" x 4" (203 x 102)	4", 5" (102, 127) dia.
10" x 4" (254 x 102)	4", 5", 6" (102, 127, 152) dia.
12" x 4" (305 x 102)	6", 7", 8" (152, 178, 203) dia.
8" x 6" (203 x 152)	6" (152) dia.
10" x 6" (254 x 152)	5", 6", 7" (127, 152, 178) dia.
12" x 6" (305 x 152)	6", 7", 8", 9" (152, 178, 203, 229) dia.
8" x 8" (203 x 203)	5", 6" (127, 152) dia.
10" x 8" (254 x 203)	7", 8" (178, 203) dia.
12" x 8" (305 x 203)	7", 8" (178, 203) dia.
10" x 10" (254 x 254)	7", 8" (178, 203) dia.
12" x 12" (305 x 305)	8" (203) dia.
	9", 10" (229, 254) dia.

W x H = Nominal Grille/Register Size

Dimensions are in inches (mm)

SCHEDULE TYPE:				
PROJECT:				
ENGINEER:	DATE	B SERIES	SUPERSEDES	DRAWING NO.
CONTRACTOR:	9 - 16 - 21	0700	7 - 11 - 16	0757-CB