

**QUALIFICATIONS:**

- UL 263 CLASSIFIED CEILING RADIATION DAMPER. Category CABS. (File # R9660).
- 1 hour rated for use in UL floor/ceiling design numbers L528/L546/L550/L558/L574/L576/L579/L581/L583/L585/M503 and roof/ceiling design numbers P531/P533/P545/P547/P552. (Other proprietary UL design numbers may be similar. Local approval by AHJ is required to use a Nailor design when not specified).
- Meets NFPA 90A requirements.

**DESCRIPTION:**

Ceiling dampers are designed to function as a heat barrier in air handling openings penetrating fire resistive membrane ceilings. The Model Series 0763-FB has been especially designed and tested to provide protection and simple installation in specific UL design wood truss ceiling assemblies.

The 0763-FB assembly consists of a ceiling damper mounted in the round inlet collar of a Type FB internally insulated sheet metal register box (boot), that accommodates a steel grille or register.

**STANDARD CONSTRUCTION:**

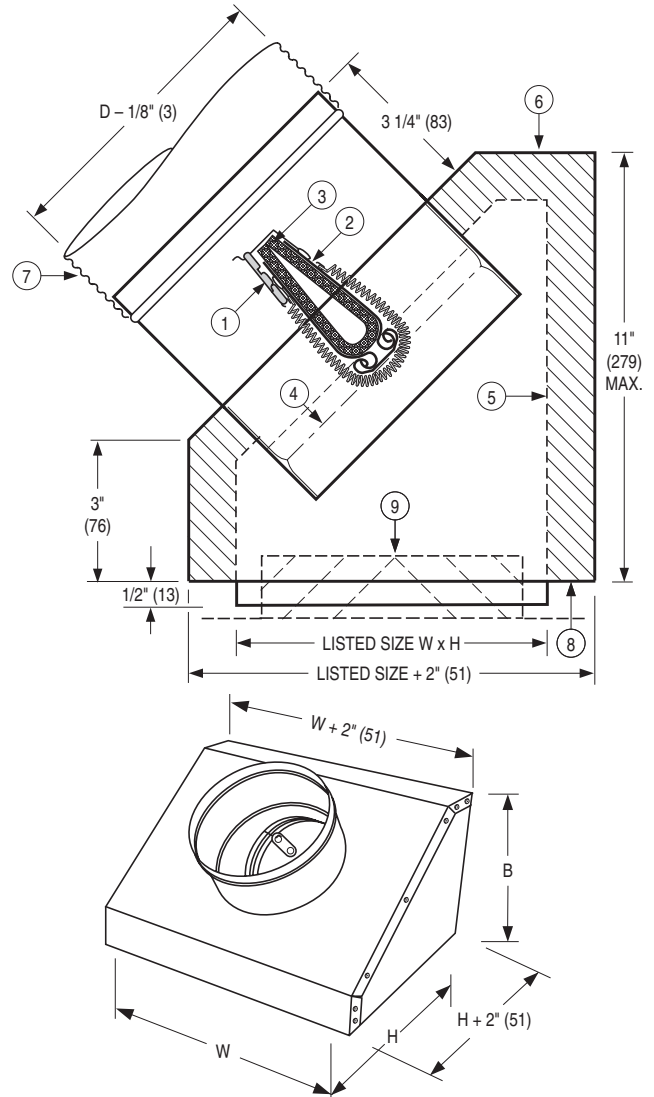
- 1. **Fusible Link:** UL Listed, 212°F (100°C), std.
- 2. **Blades:** 22 ga. (0.85) roll-formed galv. steel.
- 3. **Blade Insulation:** Non-asbestos UL Classified.
- 4. **Damper Frame:** 22 ga. (0.85) galvanized steel.
- 5. **Internal Insulation:** 1 1/2" (38) R-6.3 value.
- 6. **Plenum:** Steel plenum: 28 ga. (0.47) min. with round connection collar.
- 7. **Duct:** UL Classified Class 0 or 1 flexible air duct connection by others.
- 8. **Flange:** Plaster flange.
- 9. **Steel Grille/ Register:** By Nailor or others. Standard depth for grille clearance is 2" (51).

**OPTIONS:**

- 1.  R8 2" (51) thick R-8 value insulation.
- 2. Non-standard temperature U.L. Listed fusible link.
  - 165 165°F (74°C)
- 3. Installation Support Angles. 26" (660) long.
  - ISA 2 @ 3/4" x 3/4" x 16 ga. (19 x 19 x 1.6) or
  - ISB 2 @ 1 1/2" x 1 1/2" x 22 ga. (38 x 38 x 0.85).

**NOTE:**

Building code and UL Classification require damper installation in accordance with manufacturer's instructions. See IOM-CRD0763INST.



**Dimensional Data (W x H):**

Available Sizes	
W x H	Nominal Duct Size D
8" x 4" (203 x 102)	4", 5" (102, 127) dia.
10" x 4" (254 x 102)	4", 5", 6" (102, 127, 152) dia.
	6" (152) dia.
12" x 4" (305 x 102)	7" (178) dia.
	8" (203) dia.
	7" (178) dia.
14" x 4" (356 x 102)	7" (178) dia.
8" x 6" (203 x 152)	6" (152) dia.
10" x 6" (254 x 152)	5", 6", 7" (127, 152, 178) dia.
12" x 6" (305 x 152)	6", 7" (152, 178) dia.
14" x 6" (356 x 152)	6", 7", 8" (152, 178, 203) dia.

W x H = Nominal Grille/Register Size

<b>SCHEDULE TYPE:</b>	Dimensions are in inches (mm)			
<b>PROJECT:</b>				
<b>ENGINEER:</b>	<b>DATE</b>	<b>B SERIES</b>	<b>SUPERSEDES</b>	<b>DRAWING NO.</b>
<b>CONTRACTOR:</b>	9 - 16 - 21	0700	7 - 11 - 16	0763-FB