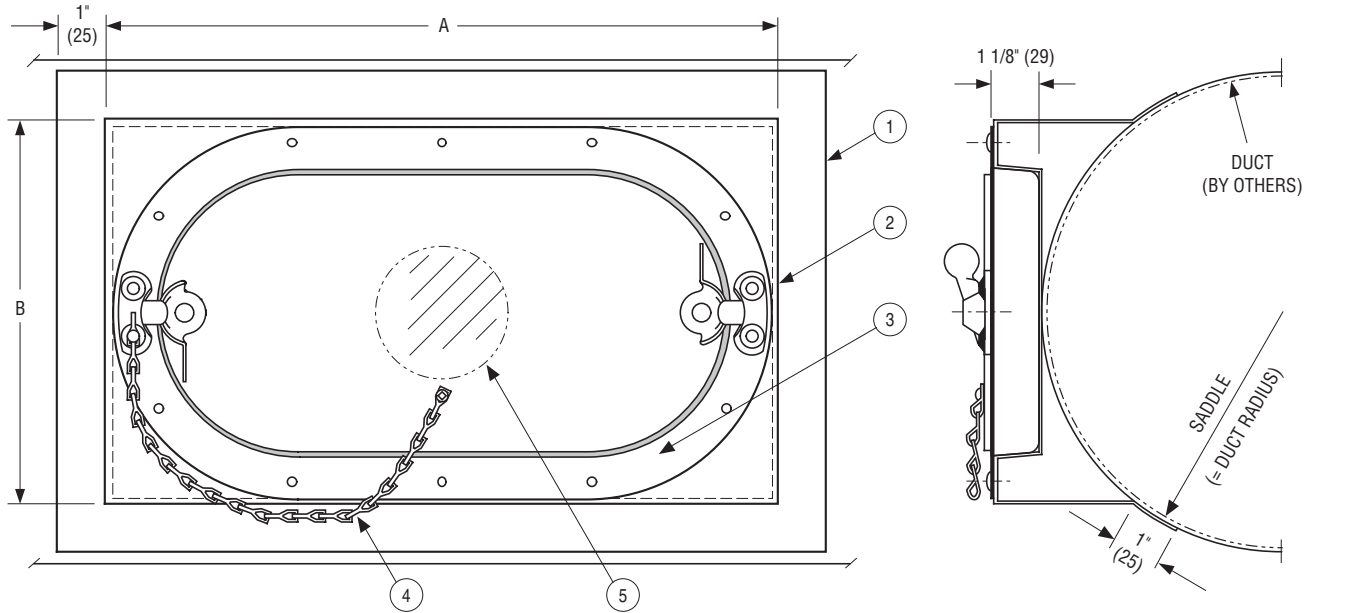
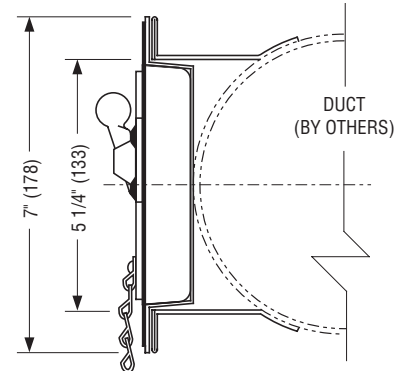


FOR USE IN LOW, MEDIUM AND HIGH PRESSURE DUCT SYSTEMS



| NOMINAL DUCT DIAMETER     | ACCESS DOOR SIZE       | DIMENSIONS      |                 | OPTIONAL VIEW PORT       |
|---------------------------|------------------------|-----------------|-----------------|--------------------------|
|                           |                        | A               | B               |                          |
| 6 to 12<br>(152 to 305)   | 8 x 5<br>(203 x 127)   | 10<br>(254)     | 7<br>(178)      | N/A                      |
| 8 to 20<br>(203 to 508)   | 12 x 6<br>(305 x 152)  | 14 1/4<br>(362) | 8 1/4<br>(209)  | 2 3/4 dia.<br>(70) dia.  |
| 12 to 24<br>(305 to 610)  | 18 x 10<br>(457 x 254) | 20 1/4<br>(514) | 12 1/4<br>(311) | 5 1/2 dia.<br>(140) dia. |
| 16 to 36<br>(406 to 914)  | 21 x 14<br>(533 x 356) | 23 1/4<br>(591) | 16 1/4<br>(413) | 5 1/2 dia.<br>(140) dia. |
| 24 to 60<br>(610 to 1524) | 25 x 17<br>(635 x 432) | 27 1/4<br>(692) | 19 1/4<br>(489) | 5 1/2 dia.<br>(140) dia. |



TURRET STYLE USED ON  
 6" (152) DIA. DUCT SIZE ONLY

**MODEL DESCRIPTION:**

Factory assembled for mounting on low, medium or high pressure round ducts.  
 Welded and caulked units provide easy mounting and ready access.

**STANDARD CONSTRUCTION:**

- 16 gauge (1.6) galvanized steel saddle formed to duct radius.
- Turret box welded to saddle.
- High pressure access door caulked and screwed or riveted to turret.

REFER TO DRAWING 0800-1 FOR DOOR DETAILS.

**OPTIONS:**

- SC Safety chain.
- VP Viewport (not available on size 8 x 5 (203 x 127)).

**LEAKAGE INFORMATION:**

Tested in conformance to British Standard DW142 Class C.  
 The maximum leakage at 8" w.g. (2 kPa):  
 8" x 5" (203 x 127): 0.036 cfm (1.02 l/min.)  
 12" x 6" (305 x 152): 0.064 cfm (1.8 l/min.)  
 18" x 10" (457 x 254): 0.133 cfm (3.78 l/min.)  
 21" x 14" (533 x 356): 0.206 cfm (5.82 l/min.)  
 25" x 17" (635 x 432): 0.286 cfm (8.1 l/min.)

Dimensions are in inches (mm).

|                       |             |                 |                   |                    |
|-----------------------|-------------|-----------------|-------------------|--------------------|
| <b>SCHEDULE TYPE:</b> |             |                 |                   |                    |
| <b>PROJECT:</b>       |             |                 |                   |                    |
| <b>ENGINEER:</b>      | <b>DATE</b> | <b>B SERIES</b> | <b>SUPERSEDES</b> | <b>DRAWING NO.</b> |
| <b>CONTRACTOR:</b>    | 4 - 20 - 04 | 0800            | 19 - 4 - 00R      | 0800-4             |