



STATIC MULTI-BLADE FIRE DAMPER
FOR USE IN STATIC SYSTEMS
HIGH PERFORMANCE
3 HR. LABEL • AIRFOIL BLADE
MODELS: 1200-3 AND 1201-3 (TYPE A)



QUALIFICATIONS:

- **UL 555 & CAN/ULC-S112 CLASSIFIED FIRE DAMPER**
3 hr. Label (File # R9492).
- **Meets NFPA 80, 90A and 101 as well as IBC and NBC (Canada)**
Building Code requirements.
- **California State Fire Marshal Listing No. 03225-0935:101.**
- **City of New York. MEA# 366-03-M.**

The 1200-3 Series Dampers are ideal for applications where building codes require a fire damper for the protection of ductwork penetrations in walls or floors that have a fire resistance rating of up to 4 hours.

The 1200-3 Series is classified for use only in static "fans off" systems where the HVAC system is automatically shut down in the event of a fire alarm.

The 1200-3 Series has been especially designed and tested to provide premium performance. Airfoil blade design and elimination of blade sills, top and bottom, provide a low pressure drop design.

The 1200-3 Series features the industry proven over-center knee-lock design with high torque spring/fusible link closure.

Unique, inter-locking double skin blade design provides flame and smoke seal under fire conditions.

The 1200-3 is supplied as standard with an internal locking quadrant which holds the damper in the fully open position, but may also be used for system balancing if required.

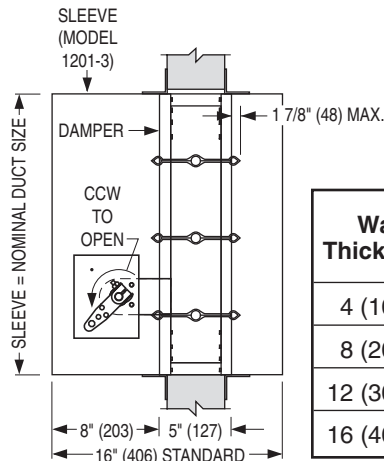
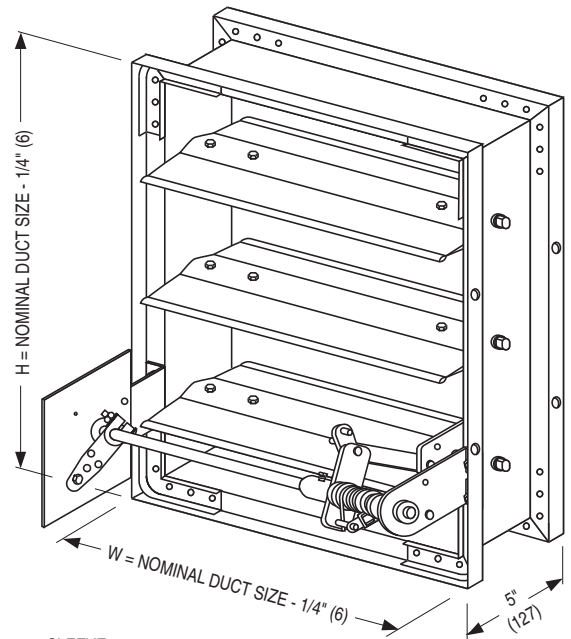
STANDARD SPECIFICATION:

- Frame:** 5" x 7/8" x 16 ga. (127 x 22 x 1.6) galvanized steel hat channel.
- Blades:** 14 ga. (2.0) equivalent galvanized steel formed airfoil on 5 1/2" (140) centers. Opposed action.
- Linkage:** Concealed in frame. 12 ga. (2.7) plated steel.
- Bearings:** 1/2" (13) dia. self-lubricating oilite bronze.
- Axles:** 1/2" (13) dia. plated steel double bolted to blades.
- Jackshaft:** 1/2" (13) dia. cadmium plated steel.
Internal locking quadrant is factory installed.
- Fusible Link:** 165°F (74°C) standard. 212°F (100°C) available.
- Minimum Size:** Vertical or Horizontal mount: 8" x 8" (203 x 203).
- Maximum Size:** Single Section
Vertical mount: 36" x 48" (914 x 1219).
Horizontal mount: 32" x 48" (813 x 1219).
Multiple Section Assembly
Vertical mount only: 120" x 96" (3048 x 2438) (Individual sections not to exceed 30" x 48" [762 x 1219]).

Dampers with duct heights less than 8" require a Type 'B' sleeve enclosure (Model 1202-3). Units less than 8" (203) in width only, or in both width and height, require a Type 'C' enclosure (Model 1203-3).

BASE MODEL SELECTION:

- 1200-3** Less sleeve
- 1201-3** Standard factory sleeve 16" long x 20 ga. (406 x 1.0) (18 ga. [1.3] for dampers over 84" [2134] in width).
- 1201-3** Non-standard sleeve. Specify _____ length _____ ga. Available up to 36" (914) dependent upon wall thickness and 10 through 20 ga. (3.5 through 1.0).



Wall Thickness	Minimum Sleeve Length
4 (102)	16 (406)
8 (203)	20 (508)
12 (305)	24 (610)
16 (406)	28 (711)

OPTIONS:

- SMP** Side mounting plate
- MLS-300** Position indicator switch pack
- BS** Stainless steel bearings
- JSM** Flexible metal jamb seals
- QS1** Quick-set retaining angle (one side)
- QS2** Quick-set retaining angles (two sides)
- TDF1** Flange (one end)
- TDF2** Flange (both ends)
- Special features** _____

For installation instructions, see IOM-MBFDINST.

SCHEDULE TYPE:	Dimensions are in inches (mm).			
PROJECT:				
ENGINEER:	DATE	B SERIES	SUPERSEDES	DRAWING NO.
CONTRACTOR:	5 - 10 - 11	1200	NEW	1200-3-1