



SMOKE DAMPER

AIRFOIL BLADE • HIGH PERFORMANCE
ULTRA-LOW LEAKAGE • LOW PRESSURE DROP
MODELS: 1210 AND 1211 (TYPE A)



QUALIFICATIONS:

- UL 555S & CAN/ULC-S112.1 CLASSIFIED SMOKE DAMPER (File # R9492) Leakage Class I or II at 250°F or 350°F elevated temperature.
- Meets NFPA 90A, 92, 101 and 105 as well as IBC and NBC (Canada) Building Code requirements.
- California State Fire Marshal Listing No. 03230-0935:0107.
- City of New York MEA# 366-03-M.
- Maximum velocity: Up to 4000 fpm @ 8" w.g. (20 m/s @ 2 kPa).

The 1210 Series dampers are ideal for use in applications where building codes require a leakage rated smoke damper as part of a static smoke control or dynamic smoke management system.

The 1210 Series has been especially designed and tested to offer premium performance and is AMCA licensed. The 1210 Series provides the lowest leakage class available and is qualified for vertical or horizontal installation with airflow in either direction. Airfoil blade design and elimination of blade sills, top and bottom, provide lowest pressure drop. Unique inter-locking double skin blade design eliminates combustible blade seals and provides flame and smoke seal under fire conditions.

STANDARD CONSTRUCTION:

- Frame:** 5" x 7/8" x 16 ga. (127 x 22 x 1.6) galvanized steel hat channel.
Blades: 14 ga. (2.0) equivalent galvanized steel formed airfoil on 5 1/2" (140) centers. Opposed action.
Linkage: Concealed in frame. 12 ga. (2.7) plated steel.
Bearings: 1/2" (13) dia. self-lubricating oilite bronze.
Axles: 1/2" (13) dia. plated steel double bolted to blades.
Jackshaft: 1/2" (13) dia. cadmium plated steel.
Jamb Seals: Cambered stainless steel.

Sizes (Duct W x H):

Velocity/ Pressure Rating	Elevated Temp. °F	Minimum			Maximum		
		Single Section		Single Section		Multiple Section	
		Vertical/Horizontal		Vertical/Horizontal		Vertical/Horizontal	
24, 34, 36, 48	250/350	Minimum width is 6" (152). Minimum height is 6" (152) (8" [203] if width is over 18" [457]).		36" x 48" (914 x 1219)		144" x 96" (3658 x 2438) or 288" x 48" (7315 x 1219)	
48	250			36" x 48" (914 x 1219)		144" x 96" (3658 x 2438) or 288" x 48" (7315 x 1219)	
48	350			36" x 24" (914 x 610)		144" x 48" (3658 x 1219) or 288" x 24" (7315 x 610)	

Note: Dampers with duct heights less than 6" (152) (8" [203] if width is over 18" [457]) require a Type 'B' sleeve enclosure (Model 1212). Duct sizes less than 8" (203) in width require a Type 'C' enclosure (Model 1213).

BASE MODEL SELECTION:

- 1210 With side actuator mounting plate
- 1211 Standard factory sleeve (caulked to UL requirements) 16" long x 20 ga. (406 x 1.0) (18 ga. for dampers over 84" [2134] in width).
- 1211 Non-standard sleeve. Specify _____ length _____ ga. Available up to 36" (914) in length and 10 through 20 ga. (3.5 through 1.0).

LEAKAGE CLASS/ELEVATED TEMPERATURE:

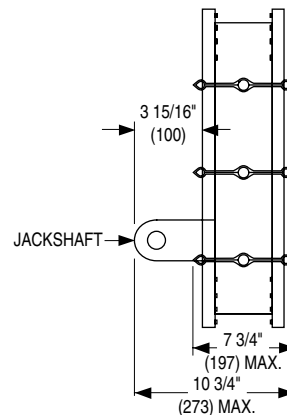
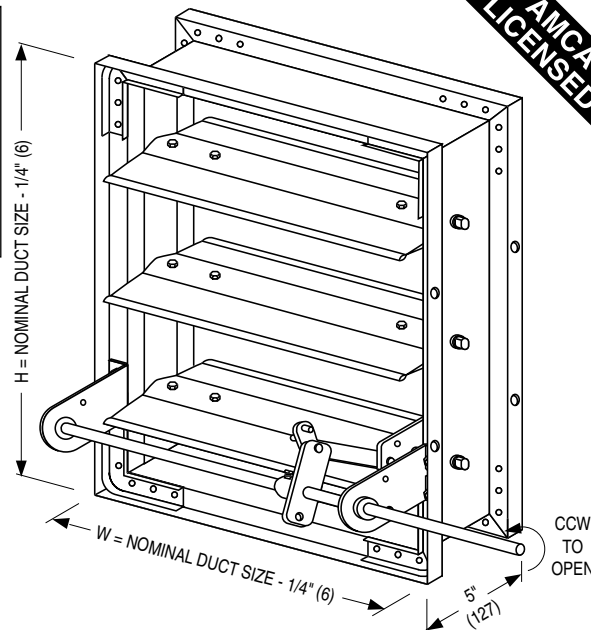
- I II @ 250°F (Standard)
- I II @ 350°F (Optional)

SCHEDULE TYPE:

PROJECT:

ENGINEER:

CONTRACTOR:



DYNAMIC VELOCITY/PRESSURE RATING:

- 24 2000 fpm @ 4" w.g. (Standard)
- 34 3000 fpm @ 4" w.g.
- 36 3000 fpm @ 6" w.g.
- 46 4000 fpm @ 6" w.g.
- 48 4000 fpm @ 8" w.g. } (Optional)

ACTUATOR SELECTION:

- Electric Pneumatic

ACTUATOR LOCATION:

- External Internal (in the airstream)

ACTUATOR FAIL POSITION:

- Normally Closed (std.) Normally Open

OPTIONS:

- BS Stainless steel bearings
- MLS-300 Position indicator switch pack
- TDF1 Flange (one end) } (20 or 22 ga. sleeves only)
- TDF2 Flange (both ends) }

For installation instructions, see IOM-SDINST.
Dimensions are in inches (mm)

DATE	B SERIES	SUPERSEDES	DRAWING NO.
10 - 4 - 24	1200	6 - 14 - 13	1210-1