



SMOKE DAMPER
AIRFOIL BLADE • HIGH PERFORMANCE
ULTRA-LOW LEAKAGE
ROUND DUCT CONNECTION
MODEL: 1213 (TYPE C SLEEVE ENCLOSURE)



QUALIFICATIONS:

- UL 555S & CAN/ULC-S112.1 CLASSIFIED SMOKE DAMPER (File # R9492) Leakage Class I or II at 250°F or 350°F elevated temperature.
- Meets NFPA 90A, 92A, 92B, 101 and 105 as well as IBC and NBC (Canada) Building Code requirements.
- California State Fire Marshal Listing No. 03230-0935:107.
- City of New York. MEA # 366-03-M.
- Maximum velocity: Up to 4000 fpm @ 8" w.g.

The 1210 Series, dampers are ideal for applications where building codes require a leakage rated smoke damper, as part of a static smoke control or dynamic smoke management system.

The 1210 Series has been especially designed and tested to offer premium performance and is AMCA licensed. The 1210 Series provides the lowest leakage class available and is qualified for vertical or horizontal installation with airflow in either direction. Airfoil blade design and elimination of blade sills, top and bottom, provide lowest pressure drop. Unique inter-locking double skin blade design eliminates combustible blade seals and provides flame and smoke seal under fire conditions.

STANDARD SPECIFICATION:

Frame: 5" x 7/8" x 16 ga. (127 x 22 x 1.6) galvanized steel hat channel.

Blades: 14 ga. (2.0) equivalent galvanized steel formed airfoil on 5 1/2" (140) centers. Opposed action.

Linkage: Concealed in frame. 12 ga. (2.7) plated steel.

Bearings: 1/2" (13) dia. self-lubricating oilite bronze.

Axles: 1/2" (13) dia. plated steel double bolted to blades.

Jackshaft: 1/2" (13) dia. cadmium plated steel.

Jamb Seals: Cambered stainless steel.

Sizes (Duct Diameter):

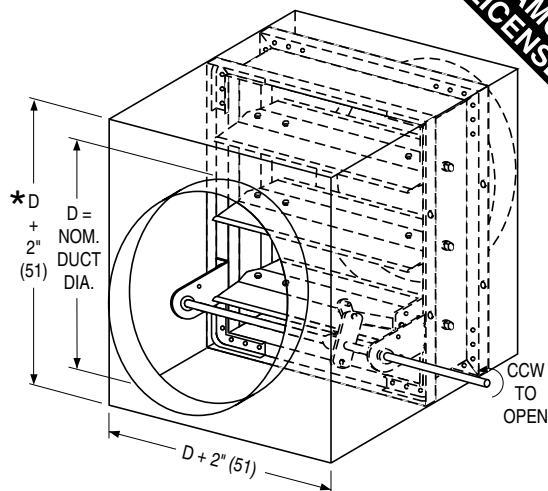
| Velocity/ Pressure Rating | Elevated Temp. °F | Minimum | | | Maximum | | |
|---------------------------------|-------------------------|---------------------|---------------------|---------------------|---------------------|--|--|
| | | Single Section | | Single Section | Multiple Section | | |
| | | Vertical/Horizontal | Vertical/Horizontal | Vertical/Horizontal | Vertical/Horizontal | | |
| 24, 34, 36, 48 | 250/350 | 4" (102) dia. | | 34" (864) dia. | 94" (2388) dia. | | |
| 48 | 250 | | | 34" (864) dia. | 94" (2388) dia. | | |
| 48 | 350 | | | 22" (559) dia. | 44" (1118) dia. | | |

SLEEVE/ENCLOSURE SELECTION:

- 1213 Standard factory sleeve (caulked to UL requirements) 16" long x 20 ga. (406 x 1.0) (18 ga. for dampers over 84" [2134] in width).
- 1213 Non-standard sleeve. Specify _____ length ____ ga. Available up to 36" (914) in length and 10 through 20 ga. (3.5 through 1.0).

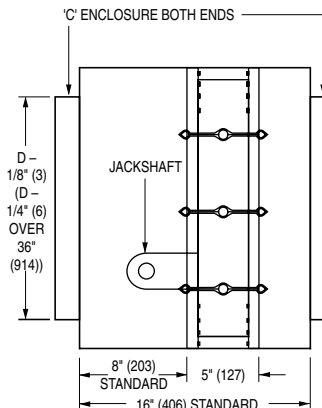
LEAKAGE CLASS/ELEVATED TEMPERATURE:

- I II @ 250°F (Standard)
- I II @ 350°F (Optional)



*** Exception:**

5" (127) duct dia. is 8" (203) overall height.



DYNAMIC VELOCITY/PRESSURE RATING:

- 24 2000 fpm @ 4" w.g. (Standard)
- 34 3000 fpm @ 4" w.g.
- 36 3000 fpm @ 6" w.g.
- 46 4000 fpm @ 6" w.g.
- 48 4000 fpm @ 8" w.g. } (Optional)

ACTUATOR SELECTION:

- Electric Pneumatic

ACTUATOR LOCATION:

- External (std.) Internal (in the airstream)

ACTUATOR FAIL POSITION:

- Normally Closed (std.) Normally Open

OPTIONS:

- BS Stainless steel bearings
- MLS-300 Position indicator switch pack

SCHEDULE TYPE:

PROJECT:

ENGINEER:

CONTRACTOR:

For installation instructions, see IOM-SDINST.
 Dimensions are in inches (mm).

| DATE | B SERIES | SUPERSEDES | DRAWING NO. |
|-------------|----------|-------------|-------------|
| 10 - 4 - 24 | 1200 | 9 - 11 - 23 | 1210-3 |