



COMBINATION FIRE/SMOKE DAMPER
 1 1/2 HOUR LABEL • LEAKAGE CLASS I OR II
MODELS: 1270 AND 1271 (TYPE A)



QUALIFICATIONS:

- **UL 555 & CAN/ULC-S112 CLASSIFIED DYNAMIC FIRE DAMPER** 1 1/2 hr. Label (File # R9492).
- **UL 555S CLASSIFIED SMOKE DAMPER (File # R9492)** Leakage Class I or II at 250°F or 350°F elevated temperature.
- **California State Fire Marshal: Fire Damper Listing No. 3225-0935:106.**
- **City of New York Board of Standards and Appeals. Cal. No. 460-88-SA.**
- **Meets NFPA 80, 90A, 92A, 92B, 101 and 105 as well as IBC and NBC (Canada) Building Code requirements.**
- **Maximum velocity 2000 fpm @ 4" w.g.**

The 1270 Series dampers are ideal for applications where building codes require both a fire damper for the protection of ductwork penetrations in walls or floors that have a fire resistance rating of up to 2 hours and also require a leakage rated damper for operational smoke control in static or dynamic smoke management systems.

The 1270 Series has been especially designed and tested to offer a rugged cost effective damper well suited to the majority of commercial applications.

STANDARD SPECIFICATION:

- Frame:** 5" x 7/8" x 16 ga. (127 x 22 x 1.6) galvanized steel hat channel.
- Blades:** 6" (152) wide on 5 1/2" (140) centers. 16 ga. (1.6) galvanized steel vee groove or double-skin design.
- Linkage:** Concealed in frame. 12 ga. (2.7) plated steel.
- Bearings:** 1/2" (13) dia. self-lubricating oilite bronze.
- Axles:** 1/2" (13) dia. plated steel bolted to blades.
- Jackshaft:** 1/2" (13) dia. cadmium plated steel.
- Jamb Seals:** Stainless steel.
- Blade Seals:** Silicone on vee groove blade.
- Heat Responsive Device (Controlled Closure):**

ERL (Electric Resettable Link) is standard on dampers with electric actuators: 250°F (121°C) standard. 165°F (74°C), 212°F (100°C) and 350°F (176°C) available.

PRL (Pneumatic Replaceable Link) is standard on dampers with pneumatic actuators: 212°F (100°C) standard. 165°F (74°C) and 280°F (138°C) available.

Minimum Size: Vertical or Horizontal mount: 8" x 8" (203 x 203).

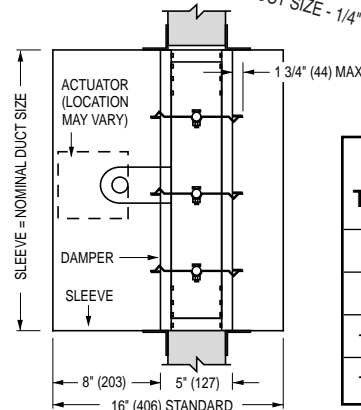
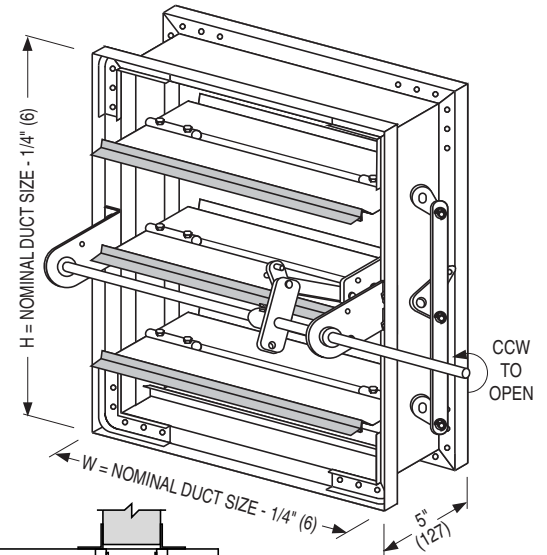
Maximum Size: Single Section
 Vertical mount: 36" x 48" (914 x 1219).
 Horizontal mount: 30" x 40" (762 x 1016).

Multiple Section Assembly
 Vertical mount: 72" x 48" (1829 x 1219) or
 36" x 96" (914 x 2438).
 Horizontal mount: 60" x 40" (1524 x 1016) or
 30" x 80" (762 x 2032).

Dampers with duct heights less than 8" (203) require a Type 'B' sleeve enclosure (Model 1272). Duct sizes less than 8" (203) in width require a Type 'C' enclosure (Model 1273).

BASE MODEL SELECTION:

- 1270** With side motor mounting plate
- 1271** Standard factory sleeve (caulked to UL requirements) 16" long x 20 ga. (406 x 1.0) (18 ga. for dampers over 84" [2134] in width).
- 1271** Non-standard sleeve. Specify _____ length _____ ga. Available up to 36" (914) dependent upon wall thickness and 10 through 20 ga. (3.5 through 1.0).



Wall Thickness	Minimum Sleeve Length
4 (102)	16 (406)
8 (203)	20 (508)
12 (305)	24 (610)
16 (406)	28 (711)

LEAKAGE CLASS / ELEVATED TEMPERATURE:

- I II @ 250°F (Standard)
- I II @ 350°F (Optional)

ACTUATOR SELECTION:

- Electric Pneumatic Specify model _____

ACTUATOR LOCATION :

- External (std.) Internal (in the airstream)

ACTUATOR FAIL POSITION: Closed.

OPTIONS:

- BS** Stainless steel bearings
- MLS-300** Position indicator switch pack
- MLS-400** Electric Fire Sensor (Re-openable control system). Includes dual heat sensors (165°F and 250°F or 350°F) and position indicator switch pack.
- QS1** Quick-set retaining angle (one side)
- QS2** Quick-set retaining angles (two sides)
- TDF1** Flange (one end)
- TDF2** Flange (both ends)

For installation instructions, see IOM-1270INST.

Dimensions are in inches (mm).

SCHEDULE TYPE:				
PROJECT:				
ENGINEER:	DATE	B SERIES	SUPERSEDES	DRAWING NO.
CONTRACTOR:	4 - 28 - 11	1200	8 - 21 - 08	1270-1