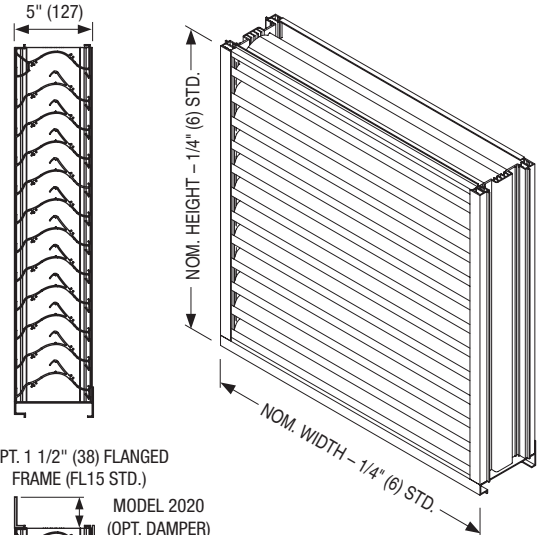


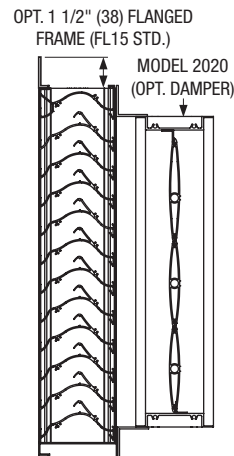
QUALIFICATIONS:

- Florida Product Approval No. : 19273.3
- Intertek Listed Building Product: Exterior Louvers.
- Tested in accordance with: TAS-201 (Large Missile Impact Test), TAS-202 (Uniform Static Air Pressure Test), TAS-203 (Cyclic Wind Pressure Loading Test).
- AMCA 500-L (Wind-Driven Rain, Water Penetration, Airflow).
- AMCA 540 (Wind-Borne Debris Impact Test [Enhanced "Level E" Protection]).
- AMCA 550 (High Velocity Wind-Driven Rain Resistance Test [with optional Model 2020 damper in closed position]).
- Wind load rating +/- 50 PSF (standard) (up to +/- 150 PSF dependent on size and configuration).



STANDARD CONSTRUCTION:

- FRAME:** 5" (127) deep, Type 6063-T6 extruded aluminum, .080" (2.03) nominal wall thickness. Integral downspouts and caulking slot provided.
- BLADES:** Type 6063-T6 extruded aluminum, .080" (2.03) nominal wall thickness, with reinforcing bosses.
- BLADE ANGLE:** Fixed at 30 degrees.
- BLADE SPACING:** 1.86" (47) on centers.
- BLADE SUPPORT:** Concealed type, factory installed on rear of louver. Size varies based on design pressure, consult Nailor.
- SCREEN:** 5/8" x .050 (15.9 x 1.27) expanded, flattened aluminum bird screen in removable frame, inside (rear) mount (adds approx. 3/8" [10] to louver depth).
- FINISH:** Mill.
- MINIMUM SIZE:** 12" W x 12" H (305 x 305).
- MAX. SINGLE SECTION SIZE:** 108" W x 84" H (2743 x 2134) or 84" W x 120" H (2134 x 3048). 63 – 70 sq. ft. (5.9 – 6.5 m²). Larger louvers will require field assembly of smaller sections.



OVERALL MAXIMUM SIZE: Unlimited Width x 120" H (3048).

OPTIONS:

- | | | | |
|---|---|---|--------------------------|
| <input type="checkbox"/> FL15 Flanged Frame, 1 1/2" (38). | <input type="checkbox"/> PC4 High Performance Powder Coat AAMA 2604 (Equivalent to 50% Kynar®). Color: _____ . | <input type="checkbox"/> ANDB Dark Bronze. | |
| <input type="checkbox"/> FL20 Flanged Frame, 2" (51). | <input type="checkbox"/> PC5 Fluoropolymer Powder Coat AAMA 2605 (Equivalent to 70% Kynar®). Color: _____ . | <input type="checkbox"/> ANBK Black. | |
| <input type="checkbox"/> BSSS Type 304 S.S. Bird Screen. | <input type="checkbox"/> PCC Prime Coat. | OPT. FACTORY MOUNTED 2020 CONTROL DAMPER: | |
| <input type="checkbox"/> BSN No Bird Screen. | <input type="checkbox"/> AN04 Clear Anodized 204-R1. | | • Extruded Aluminum |
| <input type="checkbox"/> ISA Aluminum Insect Screen. | <input type="checkbox"/> AN15 Clear Anodized 215-R1. | | • Opposed Airfoil Blades |
| <input type="checkbox"/> ISSS Type 304 S.S. Insect Screen. | <input type="checkbox"/> ANLB Light Bronze. | | • Concealed Linkage |
| <input type="checkbox"/> ESI Extended Sill. | <input type="checkbox"/> ANMB Medium Bronze. | | • Silicone Blade Seal |
| <input type="checkbox"/> PASI Sill Pan. | | • Cambered Stainless Steel Jamb Seals | |
| <input type="checkbox"/> Other: _____ . | | • 1/2" (13) Plated Steel Axles | |

OPTIONAL FINISHES:

- PC3** Powder Coat AAMA 2603. Color: _____ .

For Installation Instructions, see IOM-LOUVERINSTFPA.

Page 1 of 3

Dimensions are in inches (mm).

SCHEDULE TYPE:				
PROJECT:				
ENGINEER:	DATE	B SERIES	SUPERSEDES	DRAWING NO.
CONTRACTOR:	1 - 30- 24	1600F	10 - 31 - 18	1605WDF



EXTRUDED ALUMINUM STATIONARY LOUVER
FLORIDA PRODUCT APPROVED
 WIND-DRIVEN RAIN RESISTANT • 5" (127) DEEP
 HORIZONTAL BLADE • PERFORMANCE DATA
MODEL: 1605WDF



FREE AREA in Square Feet and Square Meters

		Width in Inches and Meters																
		12 0.30	18 0.46	24 0.61	30 0.76	36 0.91	42 1.07	48 1.22	54 1.37	60 1.52	66 1.68	72 1.83	78 1.98	84 2.13	90 2.29	96 2.44	102 2.59	108 2.74
Height in Inches and Meters	12 0.30	0.27 0.03	0.43 0.04	0.60 0.06	0.76 0.07	0.93 0.09	1.09 0.10	1.26 0.12	1.42 0.13	1.59 0.15	1.75 0.16	1.92 0.18	2.08 0.19	2.25 0.21	2.41 0.22	2.58 0.24	2.74 0.25	2.91 0.27
	18 0.46	0.47 0.04	0.76 0.07	1.05 0.10	1.34 0.12	1.63 0.15	1.92 0.18	2.20 0.20	2.49 0.23	2.78 0.26	3.07 0.29	3.36 0.31	3.65 0.34	3.94 0.37	4.23 0.39	4.51 0.42	4.80 0.45	5.09 0.47
	24 0.61	0.74 0.07	1.19 0.11	1.65 0.15	2.10 0.20	2.56 0.24	3.01 0.28	3.46 0.32	3.92 0.36	4.37 0.41	4.82 0.45	5.28 0.49	5.73 0.53	6.19 0.57	6.64 0.62	7.09 0.66	7.55 0.70	8.00 0.74
	30 0.76	0.94 0.09	1.52 0.14	2.10 0.19	2.68 0.25	3.25 0.30	3.83 0.36	4.41 0.41	4.99 0.46	5.56 0.52	6.14 0.57	6.72 0.62	7.30 0.68	7.87 0.73	8.45 0.79	9.03 0.84	9.61 0.89	10.18 0.95
	36 0.36	1.15 0.11	1.85 0.17	2.55 0.24	3.25 0.30	3.95 0.37	4.65 0.43	5.35 0.50	6.05 0.56	6.76 0.63	7.46 0.69	8.16 0.76	8.86 0.82	9.56 0.89	10.26 0.95	10.96 1.02	11.66 1.08	12.37 1.15
	42 1.07	1.35 0.13	2.17 0.20	3.00 0.28	3.82 0.36	4.65 0.43	5.47 0.51	6.30 0.59	7.12 0.66	7.95 0.74	8.77 0.81	9.60 0.89	10.42 0.97	11.25 1.04	12.07 1.12	12.90 1.20	13.72 1.27	14.55 1.35
	48 1.22	1.62 0.15	2.61 0.24	3.60 0.33	4.59 0.43	5.58 0.52	6.57 0.61	7.59 0.71	8.55 0.79	9.54 0.89	10.53 0.98	11.52 1.07	12.51 1.16	13.5 1.25	14.49 1.35	15.48 1.44	16.47 1.53	17.46 1.62
	54 1.37	1.82 0.17	2.93 0.27	4.05 0.38	5.16 0.48	6.27 0.58	7.39 0.69	8.50 0.79	9.62 0.89	10.73 1.00	11.84 1.10	12.96 1.20	14.07 1.31	15.18 1.41	16.30 1.51	17.41 1.62	18.53 1.72	19.64 1.82
	60 1.52	2.02 0.19	3.26 0.30	4.50 0.42	5.73 0.53	6.97 0.65	8.21 0.76	9.45 0.88	10.68 0.99	11.92 1.11	13.16 1.22	14.40 1.34	15.63 1.45	16.87 1.57	18.11 1.68	19.35 1.80	20.58 1.91	21.82 2.03
	66 1.68	2.22 0.21	3.58 0.33	4.95 0.46	6.31 0.59	7.67 0.71	9.03 0.84	10.39 0.97	11.75 1.09	13.11 1.22	14.47 1.34	15.84 1.47	17.2 1.60	18.56 1.72	19.92 1.85	21.28 1.98	22.64 2.10	24.00 2.23
	72 1.83	2.49 0.23	4.02 0.37	5.55 0.52	7.07 0.66	8.60 0.80	10.12 0.94	11.65 1.08	13.18 1.22	14.70 1.37	16.23 1.51	17.76 1.65	19.28 1.79	20.81 1.93	22.33 2.07	23.86 2.22	25.39 2.36	26.91 2.50
	78 1.98	2.7 0.25	4.35 0.40	6.00 0.56	7.65 0.71	9.30 0.86	10.95 1.02	12.6 1.17	14.25 1.32	15.90 1.48	17.55 1.63	19.20 1.78	20.85 1.94	22.5 2.09	24.15 2.24	25.80 2.40	27.45 2.55	29.10 2.70
	84 2.13	2.9 0.27	4.67 0.43	6.44 0.60	8.22 0.76	9.99 0.93	11.77 1.09	13.54 1.26	15.31 1.42	17.09 1.59	18.86 1.75	20.63 1.92	22.41 2.08	24.18 2.25	25.96 2.41	27.73 2.58	29.5 2.74	31.28 2.91
	90 2.29	3.10 0.29	5.00 0.46	6.89 0.64	8.79 0.82	10.69 0.99	12.59 1.17	14.48 1.35	16.38 1.52	18.28 1.70	20.18 1.87	22.07 2.05	23.97 2.23	25.87 2.40	27.77 2.57	29.67 2.74	31.57 2.91	33.47 3.08
	96 2.44	3.30 0.31	5.32 0.49	7.34 0.68	9.37 0.87	11.39 1.06	13.41 1.25	15.43 1.43	17.45 1.62	19.47 1.81	21.49 2.00	23.51 2.18	25.54 2.37	27.56 2.56	29.58 2.75	31.60 2.93	33.62 3.11	35.64 3.29
	102 2.59	3.57 0.33	5.76 0.53	7.94 0.74	10.13 0.94	12.32 1.14	14.50 1.35	16.69 1.55	18.87 1.75	21.06 1.96	23.25 2.16	25.43 2.36	27.62 2.57	29.81 2.77	32.00 2.97	34.19 3.17	36.38 3.37	38.57 3.57
	108 2.74	3.77 0.35	6.08 0.57	8.39 0.78	10.70 0.99	13.01 1.21	15.32 1.42	17.63 1.64	19.94 1.85	22.25 2.07	24.56 2.28	26.87 2.50	29.18 2.71	31.49 2.93	33.80 3.13	36.11 3.35	38.42 3.57	40.73 3.77
	114 2.90	3.98 0.37	6.41 0.60	8.84 0.82	11.28 1.05	13.71 1.27	16.14 1.50	18.58 1.73	21.01 1.95	23.45 2.18	25.88 2.40	28.31 2.63	30.75 2.86	33.18 3.08	35.61 3.29	38.04 3.51	40.47 3.73	42.90 3.93
	120 3.05	4.18 0.39	6.73 0.63	9.29 0.86	11.85 1.10	14.41 1.34	16.96 1.58	19.52 1.81	22.08 2.05	24.64 2.29	27.19 2.53	29.75 2.76	32.31 3.00	34.87 3.24	37.43 3.47	40.00 3.69	42.57 3.90	45.14 4.13

SCHEDULE TYPE:		Page 2 of 3			
PROJECT:		Dimensions are in inches (mm).			
ENGINEER:	DATE	B SERIES	SUPERSEDES	DRAWING NO.	
CONTRACTOR:	1 - 30 - 24	1600F	10 - 31 - 18	1605WDF	



EXTRUDED ALUMINUM STATIONARY LOUVER
FLORIDA PRODUCT APPROVED
 WIND-DRIVEN RAIN RESISTANT • 5" (127) DEEP
 HORIZONTAL BLADE • PERFORMANCE DATA
MODEL: 1605WDF



AIRFLOW/WATER PENETRATION DATA
 for 48" x 48" (1219 x 1219) Louver Size

Free Area %		47%
Free Area sq. ft. (sq. m.)		7.59 (0.71)
INTAKE	Free Area Velocity at Point of Beginning Water Penetration at .01 oz./sq. ft. (3 ml/sq. m) (15 min. test duration)	1250 fpm (381 m/min.)*
	Air Volume at 1250 fpm	9,488 cfm (4477 l/s)
	Free Area Velocity	
	Pressure Drop @ 1000 fpm	.22 in. w.g. (55 Pa)

NOTE: To minimize water penetration when sizing intake louvers, select a Free Area Velocity that is **below** the beginning point of water penetration.*Maximum Free Area Velocity tested is 1250 fpm. Beginning point of water penetration for this model is above 1250 fpm.

WIND DRIVEN RAIN PERFORMANCE

Core Ventilation	0	110	195	279	396	499	585	700	783	884	981
Rate in fpm (m/s)	(0.0)	(0.56)	(0.99)	(1.42)	(2.01)	(2.53)	(2.97)	(3.56)	(3.98)	(4.49)	(4.98)
Free Area Ventilation	0	216	382	547	776	978	1147	1372	1535	1733	1923
Rate in fpm (m/s)	(0.0)	(1.10)	(1.94)	(2.78)	(3.94)	(4.97)	(5.83)	(6.97)	(7.80)	(8.80)	(9.77)
Effectiveness Ratio (%)	100	100	100	100	100	99.6	99.5	99	97.3	94	91.4
Penetration Class	A	A	A	A	A	A	A	A	B	C	C

Test was based on a 39.375" x 39.375" (1.0 m x 1.0 m) core area louver tested at a rainfall rate of 3" per hour (76 mm/hour) with a wind velocity of **29 mph (13 m/s)**.

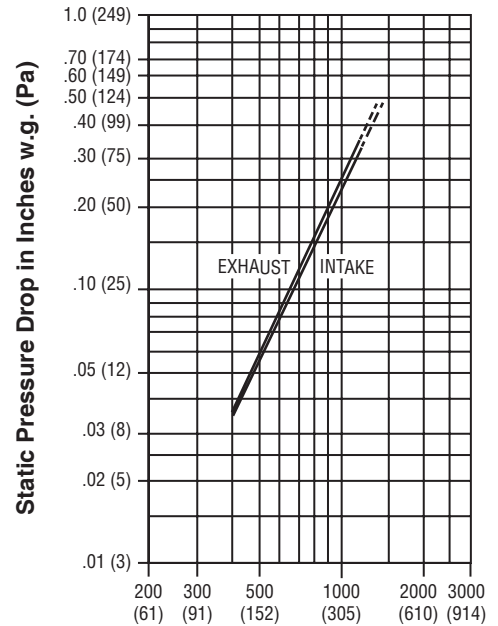
DISCHARGE LOSS COEFFICIENT CLASS (INTAKE): 3. (Discharge Loss Coefficient Classification is as follows: 1=0.4 and above, 2=0.3 to 0.399, 3 = 0.2 to 0.299, 4 = 0.199 and below.)

Core Ventilation	0	91	198	298	410	487	593	686	785	887	992
Rate in fpm (m/s)	(0.0)	(0.46)	(1.01)	(1.51)	(2.08)	(2.47)	(3.01)	(3.48)	(3.99)	(4.51)	(5.04)
Free Area Ventilation	0	178	388	584	804	955	1162	1345	1539	1739	1944
Rate in fpm (m/s)	(0.0)	(0.90)	(1.97)	(2.97)	(4.08)	(4.85)	(5.90)	(6.83)	(7.82)	(8.94)	(9.88)
Effectiveness Ratio (%)	100	99.6	99.3	99.2	98.6	98.1	97.7	96.4	93.4	89.8	85.5
Penetration Class	A	A	A	A	B	B	B	B	C	C	C

Test was based on a 39.375" x 39.375" (1.0 m x 1.0 m) core area louver tested at a rainfall rate of 8" per hour (203 mm/hour) with a wind velocity of **50 mph (22 m/s)**.

DISCHARGE LOSS COEFFICIENT CLASS (INTAKE): 3. (Discharge Loss Coefficient Classification is as follows: 1=0.4 and above, 2=0.3 to 0.399, 3 = 0.2 to 0.299, 4 = 0.199 and below.)

PRESSURE DROP



Air Velocity in Feet (Meters) Per Minute Through Free Area

Louver test size: 48" x 48" (1219 x 1219 mm).
 Standard air density @ 0.075 lbs/ft³.
 Tested to AMCA Fig. 5.5 – 6.5.



Nailor Industries Inc. certifies the Model 1605WDF shown herein is licensed to bear the AMCA Seal. The ratings shown are based on tests and procedures performed in accordance with AMCA Publication 511 and comply with the requirements of the AMCA Certified Ratings Program. Seal applies to air performance, water penetration and wind driven rain performance ratings.



Nailor Industries Inc. certifies that the 1605WDF shown herein is approved to bear the AMCA Listing Label. The ratings shown are based on tests and procedures performed in accordance with AMCA publications and comply with the requirements of the AMCA Listing Label Program. The AMCA Listing Label applies to Wind Borne Debris Impact Resistant Louvers. The AMCA Listing Label applies to High Velocity Wind Driven Rain Resistant Louvers.

SCHEDULE TYPE:	Page 3 of 3 Dimensions are in inches (mm).			
PROJECT:				
ENGINEER:	DATE	B SERIES	SUPERSEDES	DRAWING NO.
CONTRACTOR:	1 - 30 - 24	1600F	10 - 31 - 18	1605WDF