



FAN POWERED TERMINAL UNIT WITH EPIC ECM MOTOR

SERIES FLOW • CONSTANT OR VARIABLE VOLUME

MODELS: 35S, 35SW AND 35SE • UNIT SIZES 1 – 6

DESCRIPTION:

- 18 ga. (1.31) galvanized steel channel frame with 20 ga. (1.00) casing components.
- 16 ga. (1.61) galvanized steel inclined opposed blade damper. 45° rotation. CW to close.
- Ultra-high efficiency ECM fan motor. EPIC fan volume controller.
- Multi-point averaging Diamond Flow sensor. Supplied with balancing tees.
- Full size access panels on three sides.
- 3/4" (19) dual density insulation, exposed edges coated to prevent air erosion. Meets requirements of NFPA 90A and UL 181.
- Single point electrical and/or pneumatic main air connection.
- Discharge opening for flanged duct connection.
- Full primary air valve low voltage NEMA 1 type enclosure for factory mounted DDC and analog electronic controls.
- Controls mounted as standard on RH side as shown. Terminals ordered with LH controls (optional) are inverted and discharge duct hanging elevation will therefore change.

OPTIONS:

Digital Controls:

- Factory mounted (supplied by others)
- Field mounted (supplied by others)
- Nailor EZvav. See separate submittal.

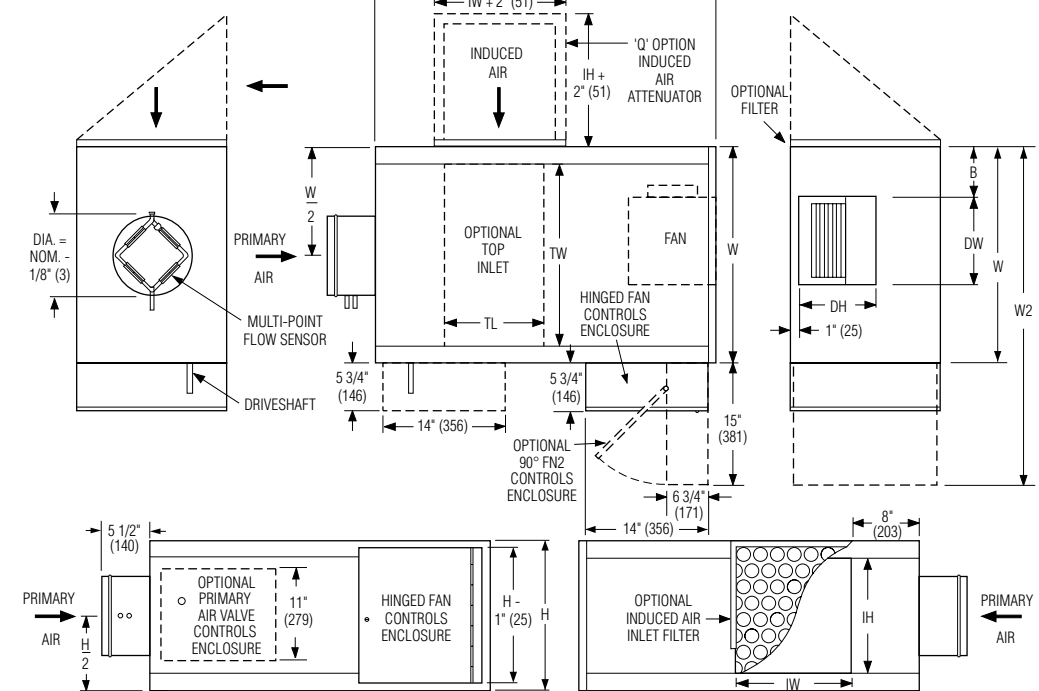
Liner:

- Steri-liner
- Steri-liner + Perforated metal
- Fiber-free
- Perforated metal
- Solid metal
- 1" (25) fiberglass
- Low temperature construction

Other:

- Left-hand controls location
- Toggle disconnect switch
- Fan unit fusing
- 24/24V Isolation transformer
- Cross Flow Sensor
- 'Q' Option – Induced Air Inlet Attenuator
- Top entry induced air inlet
- 1" (25) Throwaway filter
- 2" (51) MERV 8 filter
- Hanger brackets.
- 1/4-turn fasteners (access panel)
- FN2 90° Line Voltage Enclosure

Model 35S • Basic Unit



Dimensional Data

Unit Size	Inlet Size	W	W2	H	L	B	Induced Air Inlet		Outlet Discharge DW x DH	Filter Size	
							Side (std.) IW x IH	Top (opt.) TL x TW		Side Inlet (std.)	Top Inlet (opt.)
1	5, 6, 8** (127, 152, 203)	20 (508)	35 (889)	14 (356)	36 (914)	6 (152)	8 x 10 (203 x 254)	10 x 14 (254 x 356)	8 1/8 x 4 1/4 (206 x 108)	10 x 12 (254 x 305)	14 x 16 (356 x 406)
2	6, 8 (152, 203)	18 (457)	33 (838)	14 (356)	36 (914)	3 1/2 (89)	8 x 10 (203 x 254)	10 x 14 (254 x 356)	9 1/4 x 10 1/2 (235 x 267)	10 x 12 (254 x 305)	14 x 16 (356 x 406)
3	6, 8, 10, 12 (152, 203, 254, 305)	18 (457)	33 (838)	18 (457)	36 (914)	3 1/2 (89)	12 x 14 (305 x 356)	14 x 14 (356 x 356)	9 1/4 x 10 1/2 (235 x 267)	14 x 16 (356 x 406)	16 x 16 (406 x 406)
4	8, 10, 12, 14 (203, 254, 305, 356)	26 (660)	41 (1041)	18 (457)	41 (1041)	6 (152)	14 x 14 (356 x 356)	12 x 22 (305 x 559)	12 x 10 1/2 (305 x 267)	16 x 16 (406 x 406)	16 x 25 (406 x 635)
5	10, 12, 14 (254, 305, 356)	26 (660)	41 (1041)	18 (457)	41 (1041)	5 (127)	14 x 14 (356 x 356)	12 x 22 (305 x 559)	13 1/4 x 11 1/2 (337 x 292)	16 x 16 (406 x 406)	16 x 25 (406 x 635)
6	12, 14, 16 (305, 356, 406)	30 (762)	45 (1143)	19 (483)	44 (1118)	6 (152)	16 x 15 (406 x 381)	14 x 26 (356 x 660)	13 1/4 x 11 1/2 (337 x 292)	17 x 18 (432 x 457)	18 x 28 (457 x 711)

**ECM Only.

- FN3 Remote Line Voltage Controls Enclosure (See submittal FN3)
- Dust tight enclosure seal
- Remote user disconnect

Seismic Certification:

- Seismic Source International (Standard)
- HCAI (formerly OSHPD, California)
- Special Features: _____



Electrical Data

Unit Size	EPIC ECM Motor FLA	EPIC ECM Motor FLA			
		Motor HP	120V	208V	240V
1	*	2.1	1.4	1.3	1.2
2	*	4.0	2.7	2.6	2.6
3	*	5.0	3.4	3.3	3.3
4	*	6.9	4.6	4.5	4.2
5	*	9.0	6.1	5.8	5.6
6	*	11.9	7.3	7.3	7.2

* The ECM is a variable horsepower motor. Refer to Selectworks schedule for actual power consumption. FLA = Full load amperage. All motors are single phase/60 Hz.

SCHEDULE TYPE:

PROJECT:

ENGINEER:

CONTRACTOR:

Page 1 of 2. For heat options; see page 2. Dimensions are in inches (mm).

DATE	B SERIES	SUPERSEDES	DRAWING NO.
1 - 7 - 25	3500	2 - 6 - 23	35S-1



**FAN POWERED TERMINAL UNIT WITH
EPIC ECM MOTOR • HEAT ACCESSORIES
SERIES FLOW • CONSTANT OR VARIABLE VOLUME
MODELS: 35S, 35SW AND 35SE • UNIT SIZES 1 – 6**

Hot Water Coil Section Model 35SW

Standard Features:

- Coil section installed on unit discharge.
- Coil (and header on multi-circuit units) is installed in insulated casing for increased thermal efficiency.
- 1/2" (13) copper tubes.
- Aluminum ripple fins.
- Sweat Connections:
Size 1 – 3: 1 Row 1/2" (13), 2 and 3 Row 7/8" (22); O.D. male solder.
- Size 4 – 6: 1, 2, and 3 Row 7/8" (22); O.D. male solder.
- Top and bottom access panels for inspection and coil cleaning.
- Flanged outlet duct connection.

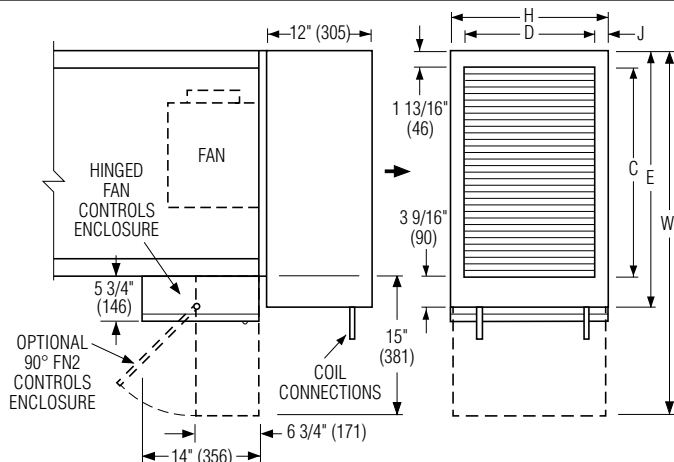
Coil Rows:

- 1-Row 2-Row 3-Row

Coil Hand Connections:

(Looking in direction of airflow).

- Right hand (illustrated). Standard.
 Left hand. Optional.



Unit Size	Outlet Duct Size C x D	W2	E	H	J
1	16 x 12 1/8 (406 x 308)	35 (889)	21 3/8 (543)	14 (356)	1 (25)
2	16 x 12 1/8 (406 x 308)	33 (838)	21 3/8 (543)	14 (356)	1 (25)
3	16 x 14 7/8 (406 x 378)	33 (838)	21 3/8 (543)	18 (457)	1 1/2 (38)
4, 5	24 x 14 7/8 (610 x 378)	41 (1041)	29 3/8 (746)	18 (457)	1 1/2 (38)
6	28 x 17 1/8 (711 x 435)	45 (1143)	33 3/8 (848)	19 (483)	1 (25)

Electric Coil Section Model 35SE

Standard Features:

- Unique hinged heater design permits easy access, removal and replacement of heater element without disturbing ductwork.
- Coil installed on unit discharge.
- Insulated coil element wrapper.
- Automatic reset high limit cut-outs (one per element).
- Single point electrical connection (except 600V).
- Positive pressure airflow switch.
- Flanged outlet duct connection.
- Class A 80/20 Ni/Cr wire.
- Terminal unit with coil is ETL Listed as an assembly.
- Controls mounted as standard on RH side as shown. Terminals ordered with LH controls (optional) are inverted and discharge duct hanging elevation will therefore change.

Voltage:

Single phase, 60 Hz.

- 208V 240V 277V

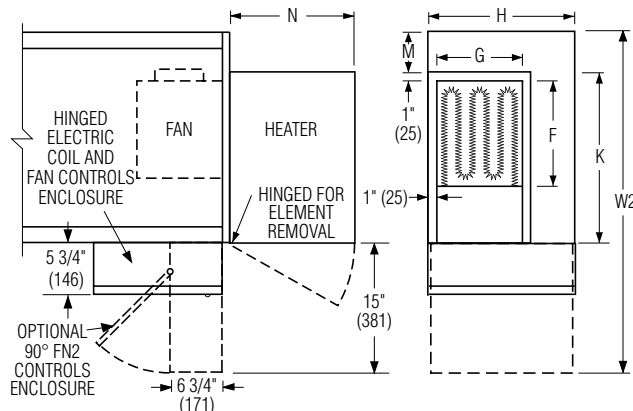
Three phase, 60 Hz.

- 208V 480V (4 wire wye).

- 600V (dual point connection). _____

Options:

- Toggle disconnect switch (includes fan).
- SCR control.
- Door interlock disconnect switch.
- Quiet type contactors.
- Mercury contactors.
- Power circuit fusing.
- Dust tight construction.
- Manual reset secondary thermal cut out.



Unit Size	Outlet Duct Size F x G	W2	K	H	M	N
1	10 1/4 x 10 1/2 (260 x 267)	35 (889)	16 (406)	14 (356)	4 (102)	12 1/2 (318)
2	10 1/4 x 10 1/2 (260 x 267)	33 (838)	15 1/2 (394)	14 (356)	2 1/2 (64)	12 1/2 (318)
3	10 1/4 x 10 1/2 (260 x 267)	33 (838)	15 1/2 (394)	18 (457)	2 1/2 (64)	15 1/4 (387)
4	13 x 10 1/2 (330 x 267)	41 (1041)	21 (533)	18 (457)	5 (127)	15 1/4 (387)
5	14 1/4 x 11 3/4 (362 x 298)	41 (1041)	22 (559)	18 (457)	4 (102)	15 1/4 (387)
6	14 1/4 x 11 3/4 (362 x 298)	45 (1143)	25 (635)	19 (483)	5 (127)	15 1/4 (387)

SCHEDULE TYPE:	Page 2 of 2.			
PROJECT:	Dimensions are in inches (mm).			
ENGINEER:	DATE	B SERIES	SUPERSEDES	DRAWING NO.
CONTRACTOR:	1 - 7 - 25	3500	2 - 6 - 23	35S-1