



**FAN POWERED TERMINAL UNIT WITH
EPIC ECM MOTOR
SERIES FLOW • CONSTANT OR VARIABLE VOLUME
MODELS: 35S, 35SW AND 35SE • UNIT SIZE 7**

DESCRIPTION:

- 18 ga. (1.31) galvanized steel channel frame with 20 ga. (1.00) casing components.
- 16 ga. (1.61) galvanized steel inclined opposed blade damper. 45° rotation. CW to close.
- Ultra-high efficiency ECM fan motor. EPIC fan volume controller.
- Multi-point averaging Diamond Flow sensor. Supplied with balancing tees.
- Full size access panels on three sides.
- 3/4" (19) dual density insulation, exposed edges coated to prevent air erosion. Meets requirements of NFPA 90A and UL 181.
- Single point electrical and/or pneumatic main air connection.
- Discharge opening for flanged duct connection.
- Full primary air valve low voltage NEMA 1 type enclosure for factory mounted DDC and analog electronic controls.
- Controls mounted as standard on RH side as shown. Terminals ordered with LH controls (optional) are inverted and discharge duct hanging elevation will therefore change.

OPTIONS:

Digital Controls:

- Factory mounted (supplied by others)
- Field mounted (supplied by others)
- Nailor EZvav. See separate submittal.

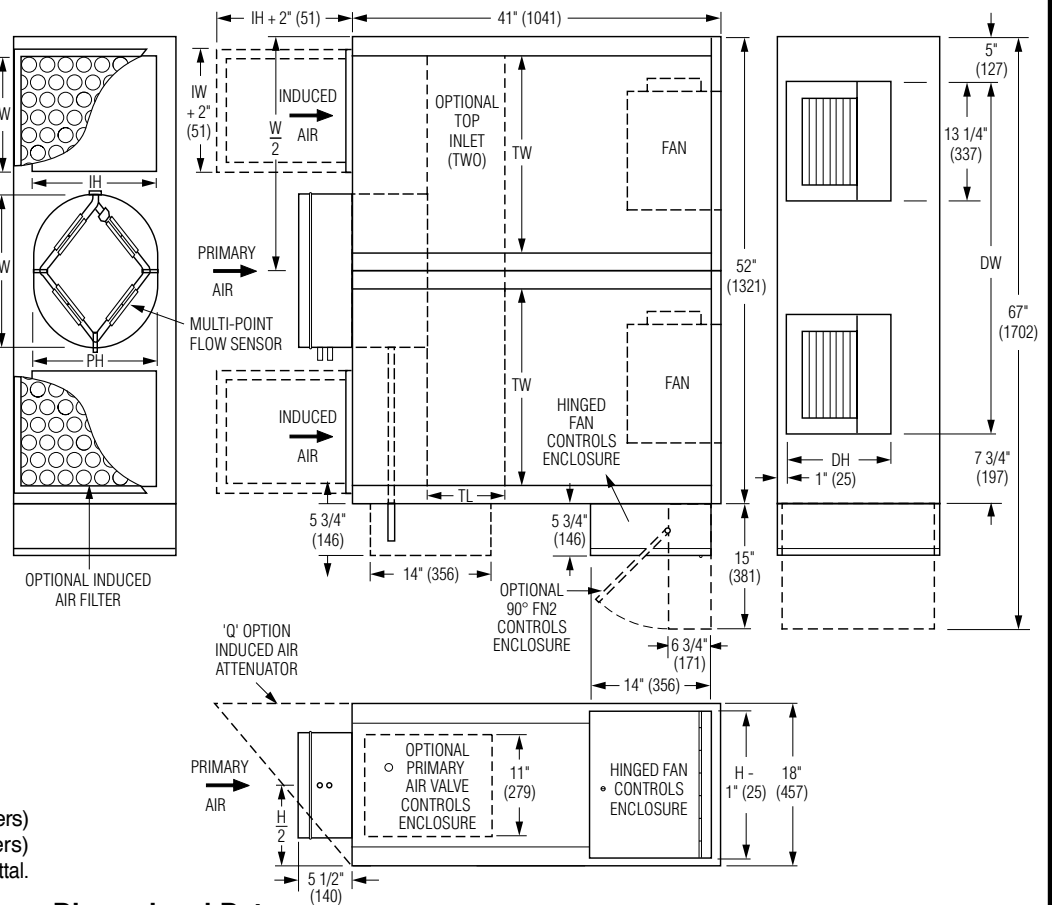
Liner:

- Steri-liner
- Steri-liner + Perforated metal
- Fiber-free
- Perforated metal
- Solid metal
- 1" (25) fiberglass
- Low temperature construction

Other:

- Left-hand controls location
- Toggle disconnect switch
- Fan unit fusing
- 24/24V Isolation transformer
- Cross Flow Sensor
- 'Q' Option – Induced Air Inlet Attenuator
- Top entry induced air inlet
- 1" (25) Throwaway filter
- 2" (51) MERV 8 filter
- Hanger brackets.
- 1/4-turn fasteners (access panel)
- FN2 90° Line Voltage Enclosure
- FN3 Remote Line Voltage Controls Enclosure (See submittal FN3)
- Dust tight enclosure seal
- Remote user disconnect

Model 35S • Basic Unit



Dimensional Data

Unit Size	Inlet		Induced Air Inlet		Outlet	Filter Size	
	Size	PW x PH	Side (std.) IW x IH	Top (opt.) TL x TW	Discharge DW x DH	Side Inlet (std.)	Top Inlet (opt.)
7	14 (356) Rd.	13 7/8 (352)	12 x 14	8 1/2 x 22	39 1/4 x 11 1/2 (997 x 292)	14 x 16 (356 x 406)	16 x 25 (406 x 635)
	16 (406) Rd.	15 7/8 (403)	Qty. of 2	Qty. of 2			
	18 (457) Oval	20 3/16 x 13 7/8 (513 x 352)					

Electrical Data

Unit Size	EPIC ECM Motor FLA				
	Motor HP	120V	208V	240V	277V
7	*	15.9	10.5	9.9	10.0

* The ECM is a variable horsepower motor. Refer to Selectworks schedule for actual power consumption. FLA = Full load amperage. All motors are single phase/60 Hz.

Seismic Certification:

- Seismic Source International (Standard)
- HCAI (formerly OSHPD, California)
- Special Features: _____



Intertek



VAV Terminals AHRI Standard 880

SCHEDULE TYPE:

PROJECT:

ENGINEER:

CONTRACTOR:

DATE

B SERIES

SUPERSEDES

DRAWING NO.

4 - 25 - 23

3500

2 - 6 - 23

35S-2



**FAN POWERED TERMINAL UNIT WITH
EPIC ECM MOTOR • HEAT ACCESSORIES
SERIES FLOW • CONSTANT OR VARIABLE VOLUME
MODELS: 35SW AND 35SE • UNIT SIZE 7**

Hot Water Coil Section Model 35SW

Standard Features:

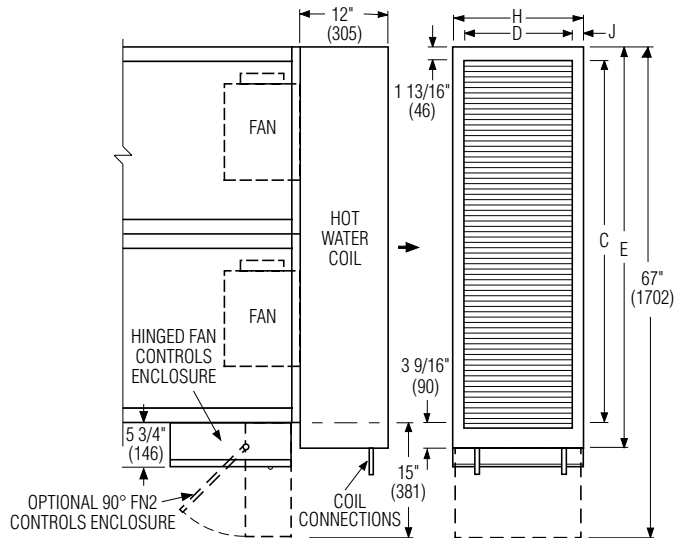
- Coil section installed on unit discharge.
- Coil and header are installed in insulated casing for increased thermal efficiency.
- 1/2" (13) copper tubes.
- Aluminum ripple fins.
- Sweat connections: 1 and 2 row, 7/8" (22) O. D. male solder. 3 row 1 3/8" (35) O.D. male solder.
- Top and bottom access panels for inspection and coil cleaning.
- Flanged outlet duct connection.

Coil Rows:

- 1-Row 2-Row 3-Row

Coil Hand Connections:

- (Looking in direction of airflow).
 Right hand (illustrated). Standard.
 Left hand. Optional.



Unit Size	Outlet Duct Size C x D	E	H	J
7	50 x 14 7/8 (1270 x 378)	55 3/8 (1407)	18 (457)	1 9/16 (40)

Electric Coil Section Model 35SE

Standard Features:

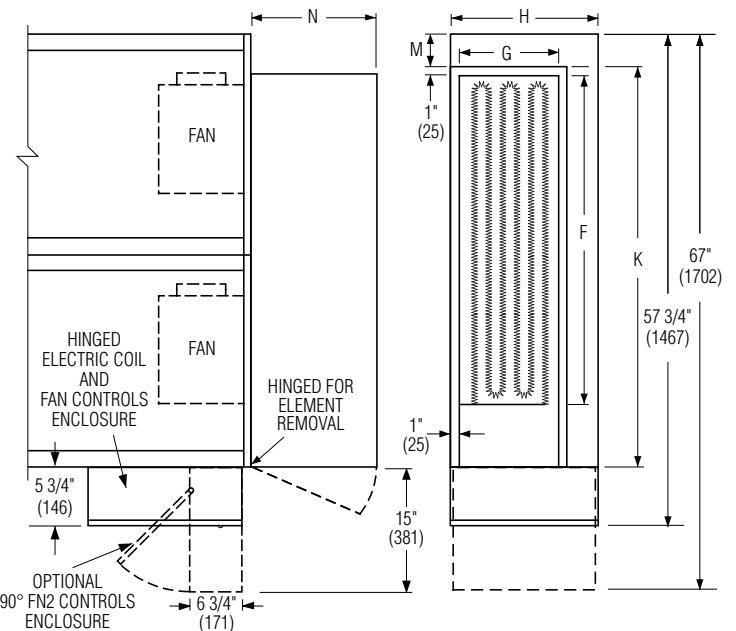
- Unique hinged heater design permits easy access, removal and replacement of heater element without disturbing ductwork.
- Coil installed on unit discharge.
- Insulated coil element wrapper.
- Automatic reset high limit cut-outs (one per element).
- Single point electrical connection (except 600V).
- Positive pressure airflow switch.
- Flanged outlet duct connection.
- Class A 80/20 Ni/Cr wire.
- Terminal unit with coil is ETL Listed as an assembly.
- Controls mounted as standard on RH side as shown. Terminals ordered with LH controls (optional) are inverted and discharge duct hanging elevation will therefore change.

Voltage:

- Single phase, 60 Hz.
 208V 240V 277V
 Three phase, 60 Hz.
 208V 480V (4 wire wye).
 600V (dual point connection).

Options:

- Toggle disconnect switch (includes fan).
- SCR control.
- Door interlock disconnect switch.
- Mercury contactors.
- Power circuit fusing.
- Dust tight construction.
- Manual reset secondary thermal cut out.



Unit Size	Outlet Duct Size F x G	K	H	M	N
7	40 1/4 x 11 3/4 (1022 x 298)	48 (1219)	18 (457)	4 (102)	15 1/4 (387)

SCHEDULE TYPE:

PROJECT:

ENGINEER:

CONTRACTOR:

Page 2 of 2.
Dimensions are in inches (mm).

DATE	B SERIES	SUPERSEDES	DRAWING NO.
4 - 25 - 23	3500	2 - 6 - 23	35S-2