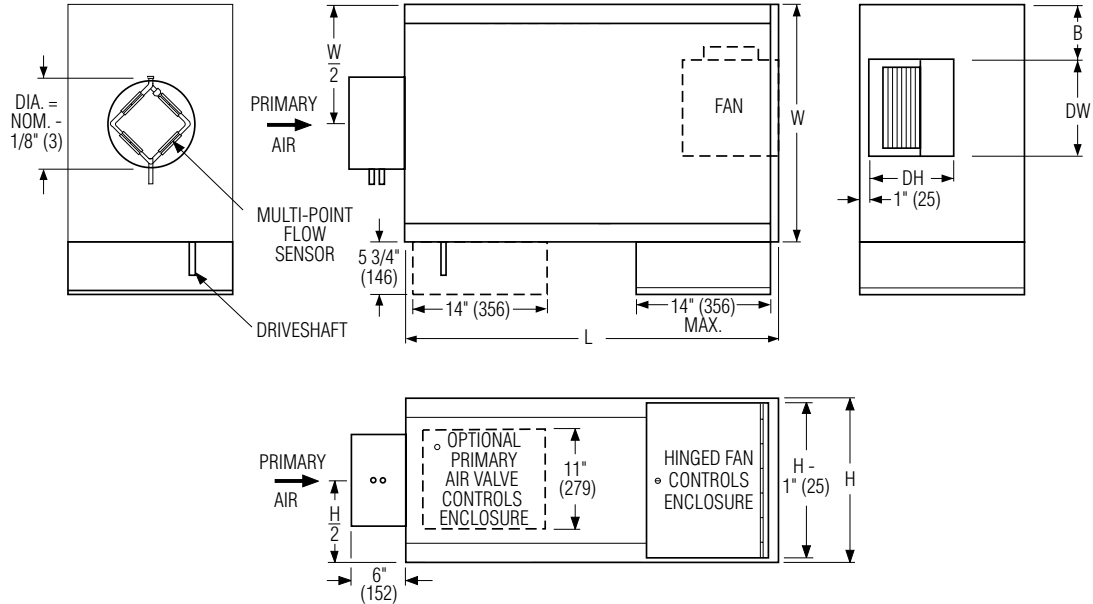




**FAN POWERED PRESSURIZATION TERMINAL UNIT
EPIC ECM MOTOR
SERIES FLOW • CONSTANT VOLUME
MODELS: 35S-CVP, 35SW-CVP AND 35SE-CVP
UNIT SIZES 3 & 5**

Model 35S-CVP



Dimensional Data

Unit Size	Inlet Size	W	H	L	B	Outlet Discharge DW x DH
3	6, 8, 10 (152, 203, 254)	18 (457)	18 (457)	36 (914)	3 1/2 (89)	9 1/4 x 10 1/2 (235 x 267)
5	8, 10, 12 (203, 254, 305)	26 (660)	18 (457)	41 (1041)	5 (127)	13 1/4 x 11 1/2 (337 x 292)

Electrical Data

Unit Size	EPIC ECM Motor HP	EPIC ECM Motor FLA			
		120V	208V	240V	277V
3	*	4.8	3.3	3.2	3.1
5	*	9.6	6.2	5.9	5.8

* The EPIC ECM is a variable horsepower motor. Refer to Selectworks schedule for actual power consumption.
FLA = Full load amperage.
All motors are single phase/60 Hz.

APPLICATION:

'Smart' Brushless DC motor technology provides continuous monitoring, automatic compensation and precise control and maintenance of discharge airflow regardless of discharge static pressure variations incurred by a HEPA filter. Available in three unit sizes, suitable for 200 – 3000 cfm (94 – 1416 l/s) zone designs with up to a maximum total external discharge static pressure of 1.0" w.g. (250 Pa).

Ideally suited to clean room applications such as hospital isolation wards, operating rooms, pharmaceutical and biotechnology manufacturing and research facilities.

DESCRIPTION:

- 18 ga. (1.31) galv. steel channel frame with 20 ga. (1.00) casing components.
- 16 ga. (1.61) galvanized steel inclined opposed blade primary air damper. 45° rotation. CW to close.
- Multi-point averaging 'Diamond' flow sensor.
- Low leakage access panels on all 4 sides.
- Ultra Energy efficient ECM fan motor with overload protection and Nailor EPIC volume controller.
- Solid metal 'IAQ' liner. Meets requirements of NFPA 90A and UL 181.

- Single point electrical connection.
- Discharge opening for flanged duct connection.
- Controls mounted as standard on RH side as shown. Terminals ordered with LH controls (optional) are inverted and discharge duct hanging elevation will therefore change.

OPTIONS:

- Fan unit fusing.
- Hanger brackets.
- Special features _____.
- Toggle disconnect switch.
- Left hand control location option.



SCHEDULE TYPE:

PROJECT:

ENGINEER:

CONTRACTOR:

Page 1 of 2.
Dimensions are in inches (mm).

DATE	B SERIES	SUPERSEDES	DRAWING NO.
3 - 25 - 17	3500	2 - 8 - 16	35S-CVP-1



FAN POWERED PRESSURIZATION TERMINAL UNIT
EPIC ECM MOTOR • HEAT ACCESSORIES
SERIES FLOW • CONSTANT VOLUME
MODELS: 35SW-CVP AND 35SE-CVP • UNIT SIZES 3 & 5

Hot Water Coil Section Model 35SW-CVP

Standard Features:

- Coil section installed on unit discharge.
- Coil (and header on multi-circuit units) is installed in insulated casing for increased thermal efficiency.
- 1/2" (13) copper tubes.
- Aluminum ripple fins.
- Sweat Connections: Size 3 one row 1/2" (13) O.D. male solder. All others 7/8" (22) O.D. male solder.
- Top and bottom access panels for inspection and coil cleaning. Caulked for low leakage.
- Flanged outlet duct connection.

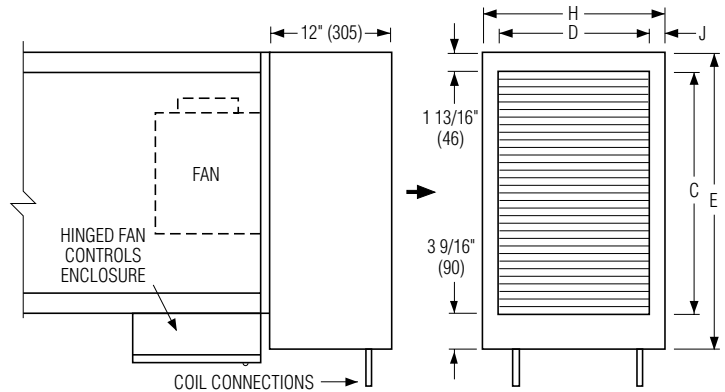
Coil Rows:

- 1-Row 2-Row 3-Row

Coil Hand Connections:

(Looking in direction of airflow).

- Right hand (illustrated). Standard.
 Left hand. Optional.

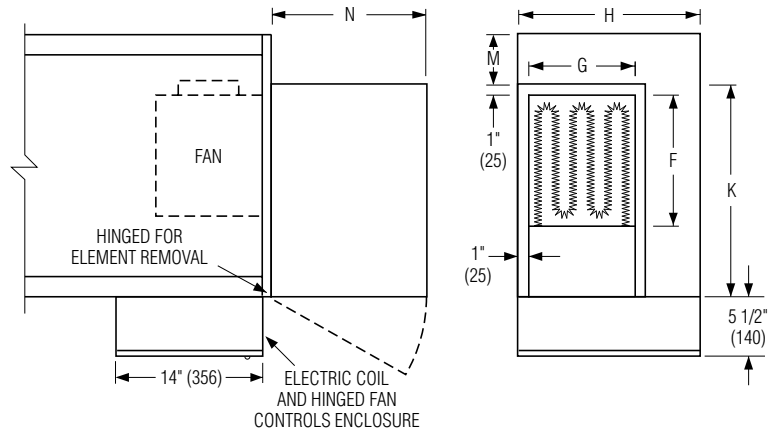


Unit Size	Outlet Duct Size C x D	E	H	J
3	16 x 14 7/8 (406 x 378)	21 3/8 (543)	18 (457)	1 9/16 (40)
5	24 x 14 7/8 (610 x 378)	29 3/8 (746)	18 (457)	1 9/16 (40)

Electric Coil Section Model 35SE-CVP

Standard Features:

- Unique hinged heater design permits easy access, removal and replacement of heater element without disturbing ductwork.
- Coil installed on unit discharge.
- Insulated coil element wrapper.
- Automatic reset high limit cut-outs (one per element).
- Single point electrical connection (except 600V).
- Positive pressure airflow switch.
- Flanged outlet duct connection.
- Class A 80/20 Ni/Cr wire.
- Terminal unit with coil is ETL Listed as an assembly.
- Controls mounted as standard on RH side as shown. Terminals ordered with LH controls (optional) are inverted and discharge duct hanging elevation will therefore change.



Unit Size	Outlet Duct Size F x G	K	H	M	N
3	10 1/4 x 10 1/2 (260 x 267)	15 1/2 (394)	18 (457)	2 1/2 (64)	15 1/4 (387)
5	14 1/4 x 11 3/4 (362 x 298)	22 (559)	18 (457)	4 (102)	15 1/4 (387)

Voltage:

Single phase, 60 Hz.

- 120V 208V 240V 277V

Three phase, 60 Hz.

- 208V 480V (4 wire wye).

- 600V (Dual Point Connection). _____

Options:

- Toggle disconnect switch (includes fan).
- Door interlock disconnect switch.
- Mercury contactors.
- Power circuit fusing.
- Dust tight construction.
- Manual reset secondary thermal cut out.
- SCR Control.

SCHEDULE TYPE:
PROJECT:
ENGINEER:
CONTRACTOR:

Page 2 of 2.
Dimensions are in inches (mm).

DATE	B SERIES	SUPERSEDES	DRAWING NO.
3 - 25 - 17	3500	2 - 8 - 16	35S-CVP-1