

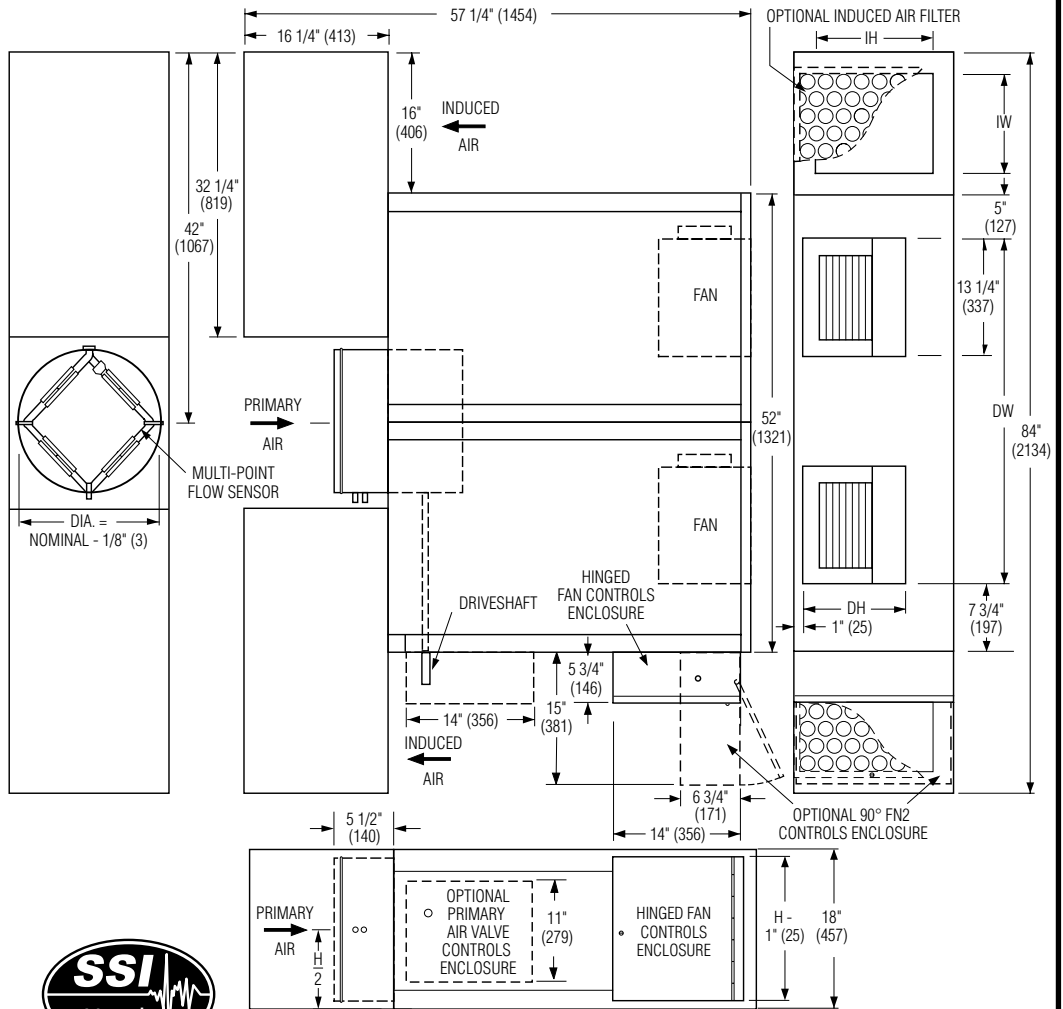


**FAN POWERED TERMINAL UNIT WITH  
EPIC ECM MOTOR  
STEALTH • SERIES FLOW  
CONSTANT OR VARIABLE VOLUME  
MODELS: 35SST, 35SWST AND 35SEST • UNIT SIZE 7**

**DESCRIPTION:**

- 18 ga. (1.31) galvanized steel channel frame with 20 ga. (1.00) casing components.
- 16 ga. (1.61) galvanized steel inclined opposed blade damper. 45° rotation. CW to close.
- Stealth tuned inlet attenuators. Shipped loose for field mounting.
- Ultra-high efficiency ECM fan motor. EPIC fan volume controller.
- Multi-point averaging Diamond Flow sensor. Supplied with balancing tees.
- Universal access. Panels on all 4 sides.
- 3/4" (19) dual density insulation, exposed edges coated to prevent air erosion. Meets requirements of NFPA 90A and UL 181.
- Single point electrical and/or pneumatic main air connection.
- Discharge opening for flanged duct connection.
- Full primary air valve low voltage NEMA 1 type enclosure for factory mounted DDC and analog electronic controls.
- Controls mounted as standard on RH side as shown. Terminals ordered with LH controls (optional) are inverted and discharge duct hanging elevation will therefore change.

**Model 35SST • Basic Unit**



**OPTIONS:**

**Digital Controls:**

- Factory mounted (supplied by others)
- Field mounted (supplied by others)
- Nailor EZvav. See separate submittal.

**Liner:**

- Steri-liner
- Steri-liner + Perforated metal
- Fiber-free
- Perforated metal
- Solid metal
- 1" (25) fiberglass
- Low temperature construction

**Other:**

- Left-hand controls location
- Toggle disconnect switch
- Fan unit fusing
- 24/24V Isolation transformer
- Cross Flow Sensor
- 1" (25) Throwaway filter
- 2" (51) MERV 8 filter
- Hanger brackets.
- 1/4-turn fasteners (access



- panel)
- FN2 90° Line Voltage Enclosure
- FN3 Remote Line Voltage Controls Enclosure (See submittal FN3)
- Dust tight enclosure seal
- Remote user disconnect
- Seismic Certification:**
- Seismic Source International (Standard)
- HCAI (formerly OSHPD, California)
- Special Features: \_\_\_\_\_

**Dimensional Data**

| Unit Size | Inlet Size        | Induced Air Inlet IW x IH             | Outlet Discharge DW x DH    | Filter Size                   |
|-----------|-------------------|---------------------------------------|-----------------------------|-------------------------------|
| 7         | 14, 16 (356, 406) | 11 1/4 x 13 1/4 (286 x 337) Qty. of 2 | 39 1/4 x 11 1/2 (997 x 292) | 14 x 14 (356 x 356) Qty. of 2 |

**Electrical Data**

| Unit Size | EPIC ECM Motor FLA |      |      |      |      |
|-----------|--------------------|------|------|------|------|
|           | Motor HP           | 120V | 208V | 240V | 277V |
| 7         | *                  | 15.9 | 10.5 | 9.9  | 10.0 |

\* The ECM is a variable horsepower motor. Refer to Selectworks schedule for actual power consumption.  
FLA = Full load amperage. All motors are single phase/60 Hz.



|                       |  |             |                 |                    |
|-----------------------|--|-------------|-----------------|--------------------|
| <b>SCHEDULE TYPE:</b> |  |             |                 |                    |
| <b>PROJECT:</b>       |  |             |                 |                    |
| <b>ENGINEER:</b>      |  | <b>DATE</b> | <b>B SERIES</b> | <b>SUPERSEDES</b>  |
| <b>CONTRACTOR:</b>    |  | 1 - 17 - 25 | 3500            | 12 - 2 - 24        |
|                       |  |             |                 | <b>DRAWING NO.</b> |
|                       |  |             |                 | 35SST-2            |



**FAN POWERED TERMINAL UNIT WITH  
EPIC ECM MOTOR • HEAT ACCESSORIES  
STEALTH • SERIES FLOW  
CONSTANT OR VARIABLE VOLUME  
MODELS: 35SWST AND 35SEST • UNIT SIZE 7**

**Hot Water Coil Section Model 35SWST STEALTH**

**Standard Features:**

- Coil section installed on unit discharge.
- Coil (and header on multi-circuit units) is installed in insulated casing for increased thermal efficiency.
- 1/2" (13) copper tubes.
- Aluminum ripple fins.
- Sweat connections: 1 and 2 row, 7/8" (22) O.D. male solder. 3 row 1 3/8" (35) O.D. male solder.
- Top and bottom access panels for inspection and coil cleaning.
- Flanged outlet duct connection.

**Coil Rows:**

- 1-Row    2-Row    3-Row

**Coil Hand Connections:**

(Looking in direction of airflow).

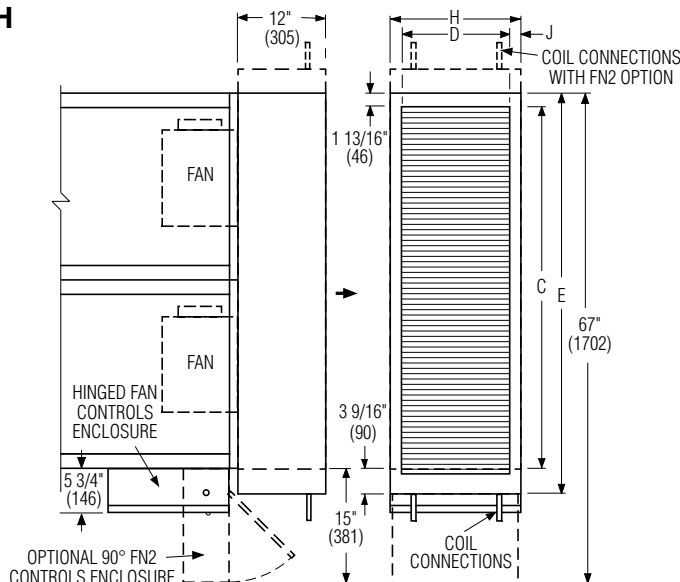
**Standard Line Voltage Enclosure:**

- Right hand (illustrated). Standard.  
 Left hand. Optional.

**With 90° Line Voltage Enclosure (FN2 option):**

Connections must be selected opposite hand to FN2 controls enclosure location.

- Left hand (illustrated with dotted line). Standard.  
 Right hand (terminals are inverted). Optional.



| Unit Size | Outlet Duct Size C x D   | E             | H        | J           |
|-----------|--------------------------|---------------|----------|-------------|
| 7         | 50 x 14 7/8 (1270 x 378) | 55 3/8 (1407) | 18 (457) | 1 9/16 (40) |

**Electric Coil Section Model 35SEST STEALTH**

**Standard Features:**

- Unique hinged heater design permits easy access, removal and replacement of heater element without disturbing ductwork.
- Coil installed on unit discharge.
- Insulated coil element wrapper.
- Automatic reset high limit cut-outs (one per element).
- Single point electrical connection (except 600V).
- Positive pressure airflow switch.
- Flanged outlet duct connection.
- Class A 80/20 Ni/Cr wire.
- Terminal unit with coil is ETL Listed as an assembly.
- Controls mounted as standard on RH side as shown. Terminals ordered with LH controls (optional) are inverted and discharge duct hanging elevation will therefore change.

**Voltage:**

Single phase, 60 Hz.

- 208V    240V    277V

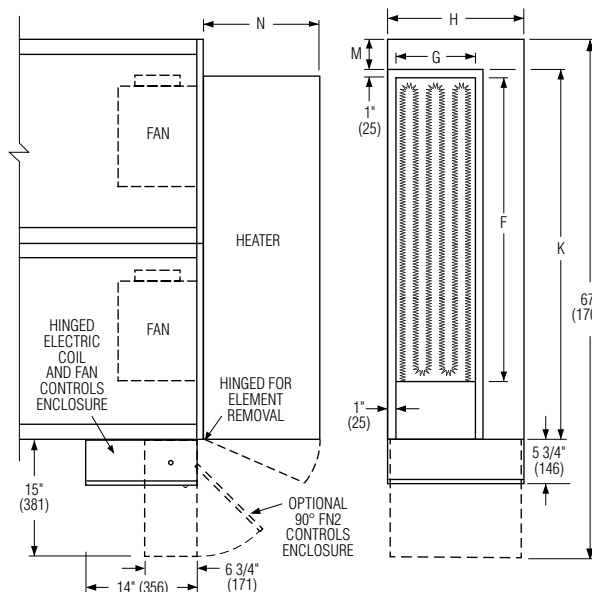
Three phase, 60 Hz.

- 208V    480V (4 wire wye).

- 600V (dual point connection).    \_\_\_\_\_

**Options:**

- Toggle disconnect switch (includes fan).  
 SCR control.  
 Door interlock disconnect switch.  
 Mercury contactors.  
 Power circuit fusing.  
 Dust tight construction.  
 Manual reset secondary thermal cut out.



| Unit Size | Outlet Duct Size F x G       | K         | H        | M       | N            |
|-----------|------------------------------|-----------|----------|---------|--------------|
| 7         | 40 1/4 x 11 3/4 (1022 x 298) | 48 (1219) | 18 (457) | 4 (102) | 15 1/4 (387) |

|                       |             |                 |                   |                    |
|-----------------------|-------------|-----------------|-------------------|--------------------|
| <b>SCHEDULE TYPE:</b> |             |                 |                   |                    |
| <b>PROJECT:</b>       |             |                 |                   |                    |
| <b>ENGINEER:</b>      | <b>DATE</b> | <b>B SERIES</b> | <b>SUPERSEDES</b> | <b>DRAWING NO.</b> |
| <b>CONTRACTOR:</b>    | 1 - 17 - 25 | 3500            | 12 - 2 - 24       | 35SST-2            |