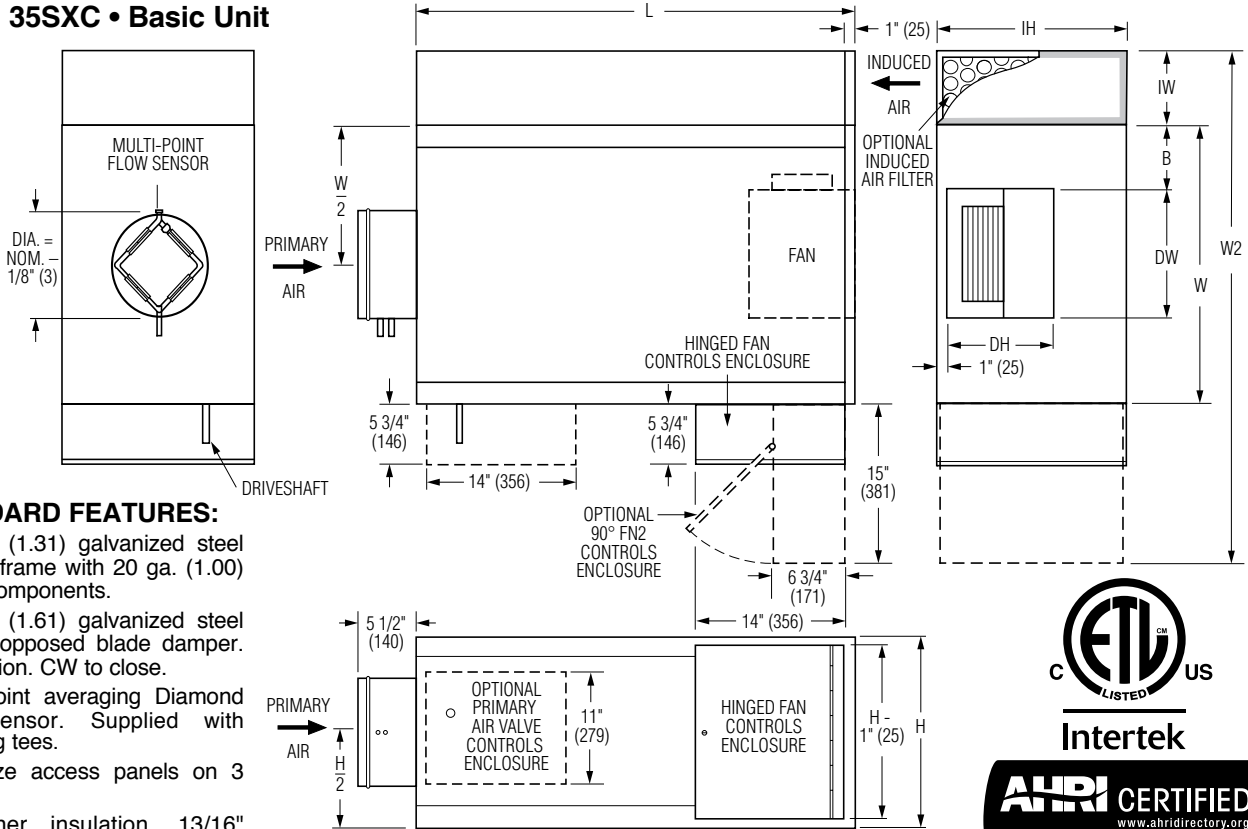




FAN POWERED TERMINAL UNIT W/ EPIC ECM MOTOR
STEALTH XC • SERIES FLOW • SUPER QUIET
EXPOSED CEILING APPLICATIONS
VARIABLE VOLUME FAN OPERATION
MODELS: 35SXC, 35SWXC & 35SEXC • UNIT SIZES 1, 3 & 5

Model 35SXC • Basic Unit



STANDARD FEATURES:

- 18 ga. (1.31) galvanized steel channel frame with 20 ga. (1.00) casing components.
- 16 ga. (1.61) galvanized steel inclined opposed blade damper. 45° rotation. CW to close.
- Multi-point averaging Diamond Flow sensor. Supplied with balancing tees.
- Full size access panels on 3 sides.
- Steri-liner insulation. 13/16" (21) thick, 4 lb./sq. ft. (64 kg/m³) density rigid fiberglass with alum. FSK facing. Meets requirements of NFPA 90A and UL 181.
- Stealth XC tuned inlet silencer. Perforated galvanized steel liner with fiberglass acoustic media.
- Single point electrical connection.
- Discharge opening for flanged duct connection.
- Full primary air valve low voltage NEMA 1 type enclosure for factory mounted DDC controls.
- Controls mounted as standard on RH side as shown. Terminals ordered with LH controls (optional) are inverted and discharge duct hanging elevation will therefore change.
- Ultra-high efficiency ECM fan motor. EPIC fan volume controller.

OPTIONS:

- Digital Controls:**
- Factory mounted (supplied by others)
 - Field mounted (supplied by others)

Dimensional Data

Unit Size	Inlet Size	W	W2	H	L	B	Induced Air Inlet IW x IH	Outlet Discharge DW x DH	Filter Size
1	6, 8 (152, 203)	20 (508)	41 (1041)	14 (356)	36 (914)	6 (152)	6 x 14 (152 x 356)	8 1/8 x 4 1/4 (206 x 108)	6 x 14 (152 x 356)
3	6, 8, 10, 12 (125, 203, 254, 305)	26 (660)	47 (1194)	18 (457)	41 (1041)	7 (178)	6 x 18 (152 x 457)	9 1/8 x 10 1/2 (232 x 267)	6 x 18 (152 x 457)
5	10, 12, 14 (254, 305, 356)	26 (660)	53 (1346)	20 (508)	55 (1397)	7 (178)	12 x 20 (305 x 508)	13 1/8 x 15 5/8 (333 x 397)	12 x 20 (305 x 508)

Terminal Liner:

- Steri-liner
- Steri-liner + Perforated metal

Silencer Liner:

- Fiberglass acoustic media
- Steri-Liner/Polymer film

Other:

- Left-hand controls location
- Toggle disconnect switch
- Fan unit fusing
- 24/24V Isolation transformer
- Cross Flow Sensor
- 1" (25) Throwaway filter

- Hanger brackets
- 1/4-turn fasteners (access panel)
- FN2 90° Line Voltage Enclosure
- FN3 Remote Line Voltage Controls Enclosure (See submittal FN3)
- Dust tight enclosure seal
- Remote user disconnect
- Special features:

Electrical Data

Unit Size	EPIC ECM Motor FLA Motor HP	EPIC ECM Motor FLA			
		120V	208V	240V	277V
1	*	2.1	1.4	1.3	1.2
3	*	4.8	3.4	3.1	3.0
5	*	10.5	6.8	6.4	6.2

* The ECM is a variable horsepower motor. Refer to Selectworks schedule for actual power consumption. FLA = Full load amperage. All motors are single phase/60 Hz.

SCHEDULE TYPE:	
PROJECT:	
ENGINEER:	
CONTRACTOR:	

DATE	B SERIES	SUPERSEDES	DRAWING NO.
1 - 3 - 25	3500	12 - 18 - 24	35SXC-1



**FAN POWERED TERMINAL UNIT W/ EPIC ECM MOTOR
HEAT ACCESSORIES • STEALTH XC • SERIES FLOW
SUPER QUIET • EXPOSED CEILING APPLICATIONS
VARIABLE VOLUME FAN OPERATION
MODELS: 35SXC, 35SWXC & 35SEXC • UNIT SIZES 1, 3 & 5**

**Hot Water Coil Section
Model 35SWXC STEALTH XC**

Standard Features:

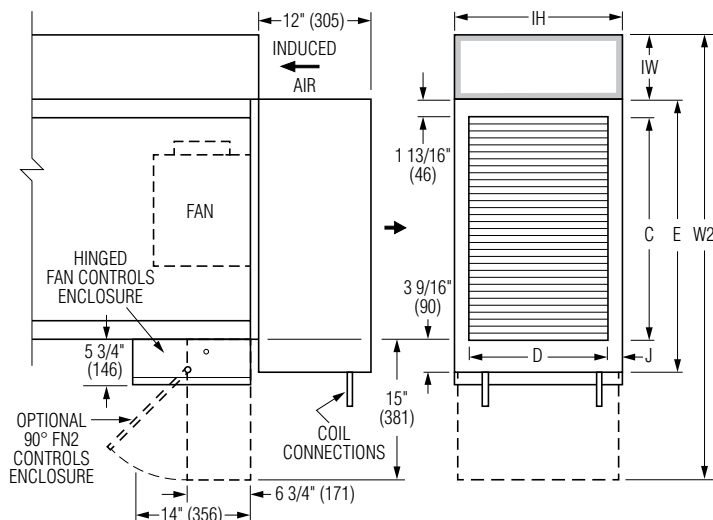
- Coil section installed on unit discharge.
- Coil (and header on multi-circuit units) is installed in insulated casing for increased thermal efficiency.
- 1/2" (13) copper tubes.
- Aluminum ripple fins.
- Sweat Connections:
Size 1: 1 Row 1/2" (13), 2 and 3 Row 7/8" (22); O.D. male solder.
- Sizes 3 & 5: 1, 2, and 3 Row 7/8" (22); O.D. male solder.
- Top and bottom access panels for inspection and coil cleaning.
- Flanged outlet duct connection.

Coil Rows:

- 1-Row 2-Row 3-Row

Coil Hand Connections:

- (Looking in direction of airflow.)
- Right hand (illustrated). Standard.
 - Left hand (terminals are inverted). Optional.
- Connections must be selected same hand as controls enclosure location.



Unit Size	Outlet Duct Size C x D	W2	E	H	J
1	16 x 12 1/8 (406 x 308)	41 (1041)	21 3/8 (543)	14 (356)	1 (25)
3	16 x 14 7/8 (406 x 378)	47 (1194)	21 3/8 (543)	18 (457)	1 1/2 (38)
5	24 x 14 7/8 (610 x 378)	53 (1346)	29 3/8 (746)	20 (508)	1 1/2 (38)

Electric Coil Section Model 35SEXC STEALTH XC

Standard Features:

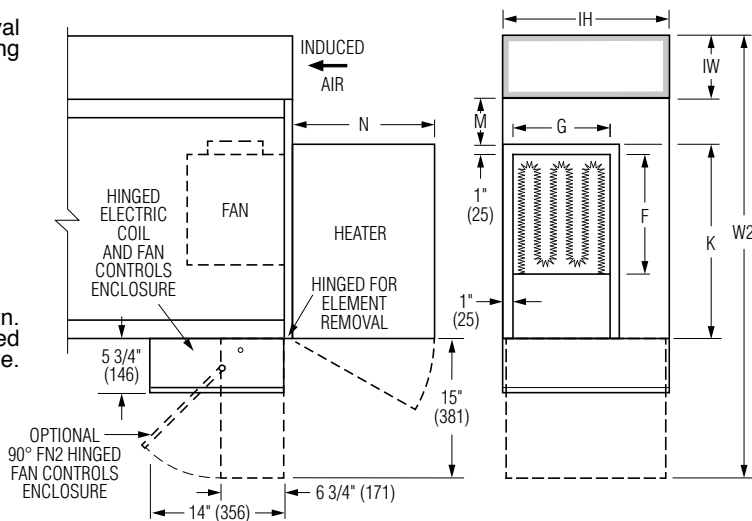
- Unique hinged heater design permits easy access, removal and replacement of heater element without disturbing ductwork.
- Coil installed on unit discharge.
- Insulated coil element wrapper.
- Automatic reset high limit cut-outs (one per element).
- Single point electrical connection (except 600V).
- Positive pressure airflow switch.
- Flanged outlet duct connection.
- Class A 80/20 Ni/Cr wire.
- Terminal unit with coil is ETL Listed as an assembly.
- Controls mounted as standard on RH side as shown. Terminals ordered with LH controls (optional) are inverted and discharge duct hanging elevation will therefore change.

Voltage:

- Single phase, 60 Hz.
 120V 208V 240V 277V
 Three phase, 60 Hz.
 208V 480V (4 wire wye). _____ .

Options:

- Toggle disconnect switch (includes fan).
- SCR control.
- Door interlock disconnect switch.
- Mercury contactors.
- Power circuit fusing.
- Dust tight construction.
- Manual reset secondary thermal cut out.



Unit Size	Outlet Duct Size F x G	W2	K	H	M	N
1	10 1/4 x 10 1/2 (260 x 267)	41 (1041)	16 (406)	14 (356)	4 (102)	12 1/2 (318)
3	12 1/4 x 10 3/4 (311 x 273)	47 (1194)	22 (559)	18 (457)	4 (102)	15 1/4 (387)
5	16 1/4 x 15 3/4 (413 x 400)	53 (1346)	22 (559)	20 (508)	4 (102)	15 1/4 (387)

SCHEDULE TYPE:

PROJECT:

ENGINEER:

CONTRACTOR:

Page 2 of 2.
Dimensions are in inches (mm).

DATE	B SERIES	SUPERSEDES	DRAWING NO.
1 - 3 - 25	3500	12 - 18 - 24	35SXC-1