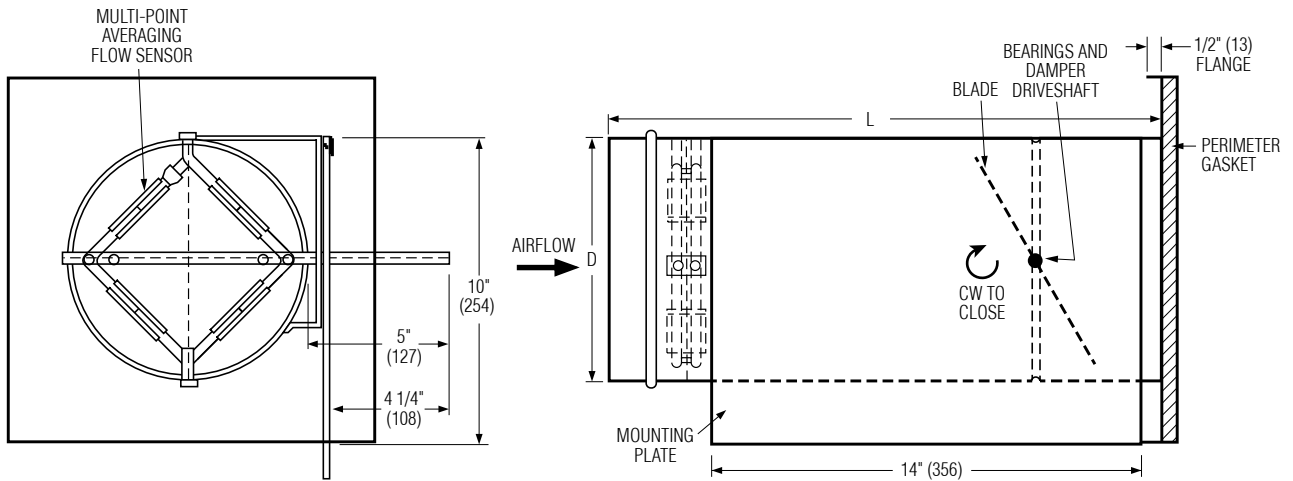


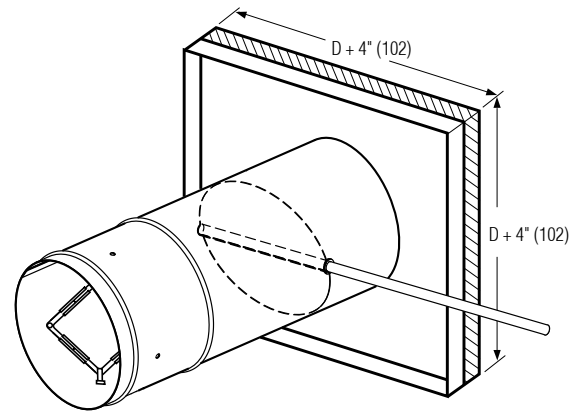


**TRANE® ROUND RETROFIT TERMINAL UNIT**  
 DIGITAL CONTROLS • PRESSURE INDEPENDENT  
 VARIABLE AIR VOLUME • EXTERNAL  
**MODEL: D36VRTR**



**Dimensional Data**

| Unit Size | Airflow Range<br>cfm (l/s) | D            | L        |
|-----------|----------------------------|--------------|----------|
| 4         | 0 – 225 (0 – 106)          | 3 7/8 (98)   | 18 (457) |
| 5         | 0 – 400 (0 – 189)          | 4 7/8 (124)  | 18 (457) |
| 6         | 0 – 550 (0 – 260)          | 5 7/8 (149)  | 18 (457) |
| 7         | 0 – 800 (0 – 378)          | 6 7/8 (175)  | 18 (457) |
| 8         | 0 – 1100 (0 – 579)         | 7 7/8 (200)  | 18 (457) |
| 9         | 0 – 1400 (0 – 661)         | 8 7/8 (225)  | 20 (508) |
| 10        | 0 – 1840 (0 – 868)         | 9 7/8 (251)  | 20 (508) |
| 12        | 0 – 2500 (0 – 1081)        | 11 7/8 (302) | 20 (508) |
| 14        | 0 – 3370 (0 – 1590)        | 13 7/8 (352) | 22 (559) |
| 16        | 0 – 4525 (0 – 2135)        | 15 7/8 (403) | 22 (559) |



**Standard Construction:**

- Casing: 22 ga. (0.86), corrosion-resistant steel with stiffening beads.
- Blade: Two layers of 20 ga. (1.00), corrosion-resistant steel laminated together with a cross-linked polyethylene peripheral gasket for tight shut-off. 90° rotation, CW to close. Damper leakage is less than 1% of the terminal rated airflow at 3" w.g. (750 pa.) and less than 2% at 6" w.g. (1500 pa.) as tested in accordance with ANSI / ASHRAE Standard 130.
- Bearings: Self-lubricating oilite bronze.
- Drive Shaft/Axles: 1/2" (13) diameter plated steel, double-bolted to blades. Indicator mark on the end of the shaft to show damper position.
- Mounting plate for field or factory mount controls.
- Multi-point averaging Diamond Flow sensor: Supplied with brass balancing tees.
- Right-hand control location is standard (as shown) when looking in direction of airflow. Left-hand is optional.

**Digital Controls:**

- Factory mounted (supplied by others)
  - Field mounted (supplied by others)
- See separate submittal.

**Options and Accessories:**

- Cross flow sensor.
- Removable Flow sensor (see submittal 36FMI-1).
- 24 VAC Control transformer.
- Toggle disconnect switch.
- Dust tight enclosure seal.
- Special features \_\_\_\_\_.

|                       |                               |                 |                   |                    |
|-----------------------|-------------------------------|-----------------|-------------------|--------------------|
| <b>SCHEDULE TYPE:</b> | Dimensions are in inches (mm) |                 |                   |                    |
| <b>PROJECT:</b>       |                               |                 |                   |                    |
| <b>ENGINEER:</b>      | <b>DATE</b>                   | <b>B SERIES</b> | <b>SUPERSEDES</b> | <b>DRAWING NO.</b> |
| <b>CONTRACTOR:</b>    | 2 - 6 - 23                    | 3600            | 3 - 24 - 17       | 36VRTR             |