

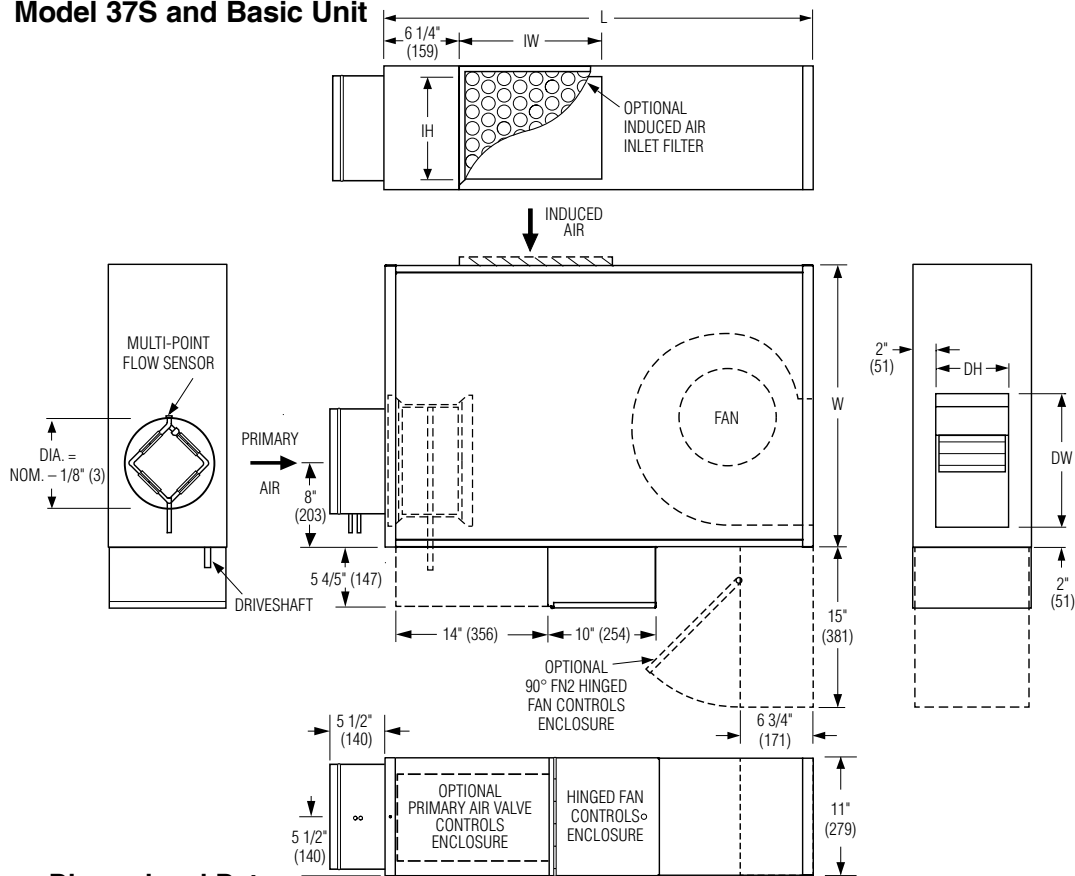


LOW PROFILE FAN POWERED TERMINAL UNIT WITH EPIC ECM MOTOR
SERIES FLOW • CONSTANT OR VARIABLE VOLUME
MODELS: 37S, 37SW AND 37SE • UNIT SIZES 1 – 3

DESCRIPTION:

- Only 11" (279) high.
- 20 ga. (1.0) galvanized steel construction.
- 16 ga. (1.6) galvanized steel inclined blade damper. 45° rotation. CW to close.
- Ultra-high efficiency ECM fan motor. EPIC fan volume controller.
- Multi-point averaging Diamond Flow sensor. Aluminum construction. Supplied with balancing tees.
- Access panels top and bottom.
- 1/2" (13) dual density insulation, exposed edges coated to prevent air erosion. Meets requirements of NFPA 90A and UL 181.
- Single point electrical and/or pneumatic main air connection.
- Discharge opening for flanged duct connection.
- Full primary air valve low voltage NEMA 1 type enclosure for factory mounted DDC and analog electronic controls.
- Controls mounted as standard on RH side as shown. Terminals ordered with LH controls (optional) are inverted.

Model 37S and Basic Unit



Dimensional Data

Unit Size	Inlet Size	W	L	Induced Air Inlet IW x IH	Outlet Discharge DW x DH	Filter Size
1	4, 5, 6, 8 (102, 127, 152, 203)	19 (483)	36 (914)	6 x 8 (152 x 203)	10 3/8 x 6 7/8 (264 x 175)	8 x 10 (203 x 254)
2	6, 8, 10 (152, 203, 254)	26 1/2 (673)	40 1/4 (1022)	15 3/4 x 8 (400 x 203)	11 3/8 x 6 7/8 (289 x 175)	18 x 10 (457 x 254)
3	6, 8, 10 (152, 203, 254)	26 1/2 (673)	40 1/4 (1022)	15 3/4 x 8 (400 x 203)	12 3/8 x 6 7/8 (314 x 175)	18 x 10 (457 x 254)

OPTIONS:

- Digital Controls:**
- Factory mounted (supplied by others)
 - Field mounted (supplied by others)
 - Nailor EZvav. See separate submittal.

Liner:

- Steri-liner
- Steri-liner + Perforated metal
- Fiber-free
- Perforated metal
- Solid metal
- Low temperature construction

Other:

- 1" (25) Throwaway filter.
- 2" Filter Rack only
- Left-hand controls location
- Toggle disconnect switch
- Fan unit fusing
- 24/24V Isolation transformer
- Hanger brackets.
- 1/4-turn fasteners (access panel)

- FN2 90° Line Voltage Enclosure
- FN3 Remote Line Voltage Controls Enclosure (See submittal FN3)
- Dust tight enclosure seal
- Remote user disconnect

Seismic Certification:

- Seismic Source International (Standard)
- HCAI (formerly OSHPD, California)
- Special Features: _____

Electrical Data

Unit Size	EPIC ECM Motor FLA				
	Motor HP	120V	208V	240V	277V
1	*	1.9	1.3	1.3	1.3
2	*	3.3	2.2	2.2	2.2
3	*	6.9	4.7	4.4	4.4

* The EPIC ECM is a variable horsepower motor. Refer to Selectworks schedule for actual power consumption. FLA = Full load amperage. All motors are single phase/60 Hz.



SCHEDULE TYPE:

PROJECT:

ENGINEER:

CONTRACTOR:

Page 1 of 2. For heat options; see page 2.
 Dimensions are in inches (mm).

DATE	B SERIES	SUPERSEDES	DRAWING NO.
2 - 7 - 24	3700	8 - 13 - 19	37S-1



LOW PROFILE FAN POWERED TERMINAL UNIT WITH EPIC ECM MOTOR • HEAT ACCESSORIES
SERIES FLOW • CONSTANT OR VARIABLE VOLUME
MODELS: 37SW AND 37SE • UNIT SIZES 1 – 3

Hot Water Coil Section Model 37SW

Standard Features:

- Coil section installed on unit discharge.
- Coil (and header on multi-circuit units) is installed in insulated casing for increased thermal efficiency.
- 1/2" (13) copper tubes.
- Aluminum ripple fins.
- Sweat connections: One row 1/2" (13) O. D. male solder. Two and three row 7/8" (22) O.D. male solder.
- Top and bottom access panels for inspection and coil cleaning.
- Flanged outlet duct connection.

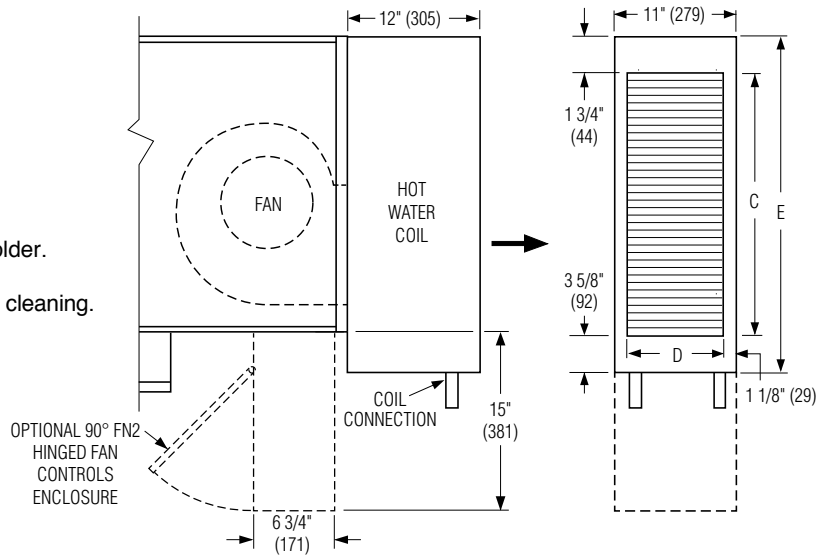
Coil Rows:

- 1-Row 2-Row 3-Row

Coil Hand Connections:

(Looking in direction of airflow).

- Right hand (illustrated). Standard.
 Left hand. Optional.



Unit Size	Outlet Duct Size C x D	E
1	14 1/2 x 8 3/4 (368 x 222)	20 (508)
2, 3	24 x 8 3/4 (610 x 222)	29 3/8 (746)

Electric Coil Section Model 37SE

Standard Features:

- Controls enclosure incorporates a hinged access door opening upstream that helps ensure NEC clearance requirements and reduces footprint. (FN2 90° design is standard).
- Unique hinged heater design permits easy access, removal and replacement of heater element without disturbing ductwork.
- Class A 80/20 Ni/Cr wire.
- Coil installed on unit discharge.
- Insulated coil element wrapper.
- Automatic reset high limit cut-outs (one per element).
- Single point electrical connection (except 600V).
- Fan interlock relay or positive pressure airflow switch.
- Flanged outlet duct connection.
- Terminal unit with coil is ETL Listed as an assembly.
- Controls mounted as standard on RH side as shown. Terminals ordered with LH controls (optional) are inverted.

Voltage:

Single phase, 60 Hz.

- 120V 208V 240V 277V

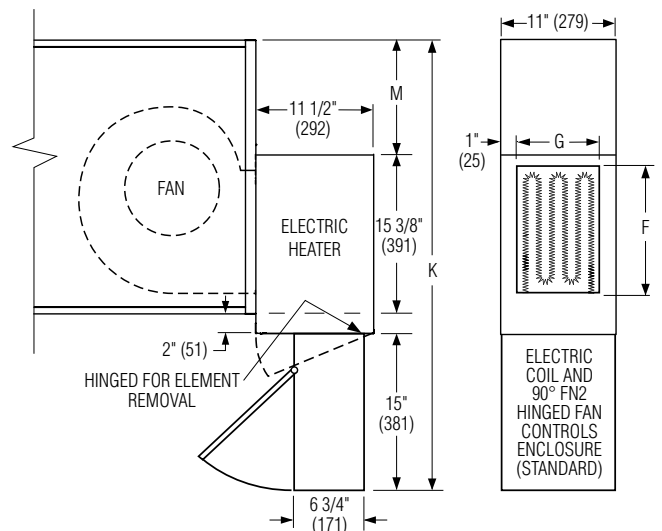
Three phase, 60 Hz.

- 208V 480V (4 wire wye).

- 600V (dual point connection). _____

Options:

- Toggle disconnect switch (includes fan). Mercury contactors.
 SCR control. Power circuit fusing.
 Door interlock disconnect switch. Dust tight construction.
 Manual reset secondary thermal cut out.



Unit Size	Outlet Duct Size F x G	M	K
1	12 3/8 x 9 (314 x 229)	3 5/8 (92)	35 7/8 (911)
2		11 1/8 (283)	43 1/2 (1105)
3		11 1/8 (283)	43 1/2 (1105)

SCHEDULE TYPE:

PROJECT:

ENGINEER:

CONTRACTOR:

Page 2 of 2.
Dimensions are in inches (mm).

DATE	B SERIES	SUPERSEDES	DRAWING NO.
2 - 7 - 24	3700	8 - 13 - 19	37S-1