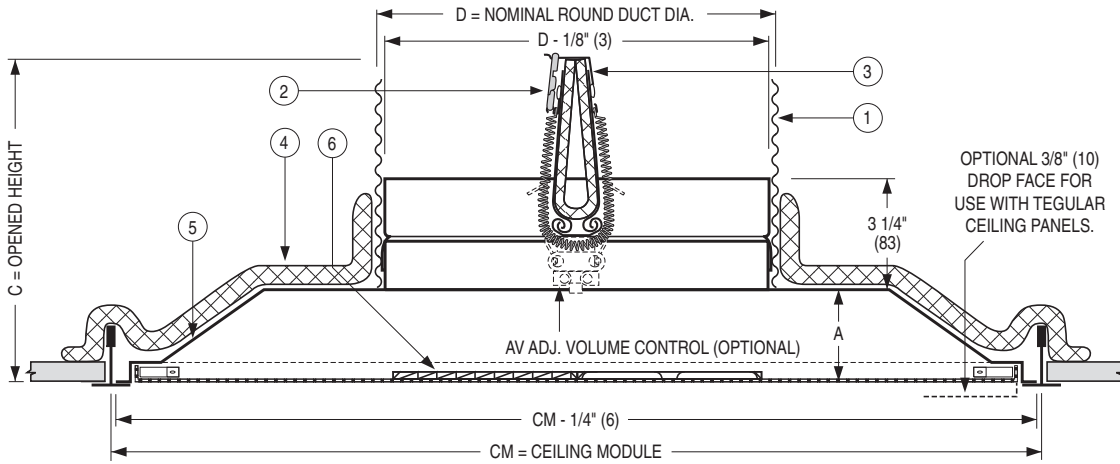




FIRE RATED CEILING DIFFUSER
 1, 2, 3, OR 4-WAY ADJUSTABLE PATTERN •
 PERFORATED FACE • STEEL • ROUND NECK
MODELS: 4070, 4075, 4080 AND 4085



CATEGORY BZZU



CATEGORY BZGUC



| | Imperial Modules | | | | | | Metric Modules | | |
|------------------|-------------------------|-------|--------|----------------|----|-----|----------------|----|-----|
| | Imperial Units (inches) | | | SI Units (mm) | | | SI Units (mm) | | |
| Listed Neck Size | CM = 12 x 12 | | | CM = 305 x 305 | | | CM = 300 x 300 | | |
| | D | A | C | D | A | C | D | A | C |
| 6 | 6 | | 6 3/8 | 152 | | 162 | 152 | | 162 |
| 8 | 8 | 1 7/8 | 7 3/8 | 203 | 48 | 187 | 203 | 48 | 187 |
| Listed Neck Size | CM = 24 x 24 | | | CM = 610 x 610 | | | CM = 600 x 600 | | |
| | D | A | C | D | A | C | D | A | C |
| 6 | 6 | | 6 7/8 | 152 | | 175 | 152 | | 175 |
| 8 | 8 | | 7 7/8 | 203 | | 200 | 203 | | 200 |
| 10 | 10 | 2 3/8 | 8 7/8 | 254 | 60 | 225 | 254 | 60 | 225 |
| 12 | 12 | | 9 7/8 | 305 | | 251 | 305 | | 251 |
| 14 | 14 | | 10 7/8 | 356 | | 276 | 356 | | 276 |

- MODEL 4070 FLUSH FACE**
- MODEL 4075 DROP FACE**
12 x 12 (300 x 300) module
Type L Lay-in Frame
- MODEL 4080 FLUSH FACE**
- MODEL 4085 DROP FACE**
24 x 24 (600 x 600) module
Type L Lay-in Frame

ITEMS:

- Flexible air duct (UL/ULC Class 0 or 1) connector or steel duct.
- U.L. Listed fusible link. 212°F (100°C) standard.
- Ceiling radiation damper/fire stop flap.
- Ceramic fibre thermal blanket.
- Corrosion resistant steel diffuser.
- Adjustable pattern controllers.

DESCRIPTION:

- All models are classified for use in UL/ULC restrained or unrestrained floor/ceiling and or roof/ceiling assemblies which incorporate an exposed grid suspended ceiling (lay-in T-bar) with up to a 3 hour rating. For details of fire rated assemblies, see the current UL or ULC Fire Resistance Directory.
- The discharge pattern is 1, 2, 3, or 4-way horizontal and is adjusted by dropping the perforated face and rotating the pattern deflectors. Removable face has concealed latches for easy access to the damper.
- Excellent for VAV systems.

- The perforated face has 3/16" (5) dia. holes on 1/4" (6) staggered centres.
- Standard finish is AW Appliance White.

OPTIONS:

- AV Fusible link adjustable volume control (Model 0722A damper).
- Non-standard temperature U.L. Listed fusible link.
 - 165°F (74°C)
- Finish:
 - SP Special
 - BA Black back pan and deflectors with an appliance white face.
 - BW Black back pan and deflectors with an off-white face.

For installation instructions, see IOM-FRDSINST or IOM-FRDFINST.

Dimensions are in inches (mm).

| | | | | |
|-----------------------|--------------|-----------------|-------------------|--------------------|
| SCHEDULE TYPE: | | | | |
| PROJECT: | | | | |
| ENGINEER: | DATE | B SERIES | SUPERSEDES | DRAWING NO. |
| CONTRACTOR: | 11 - 24 - 16 | 4000 | 5 - 11 - 15 | 4000-6A |