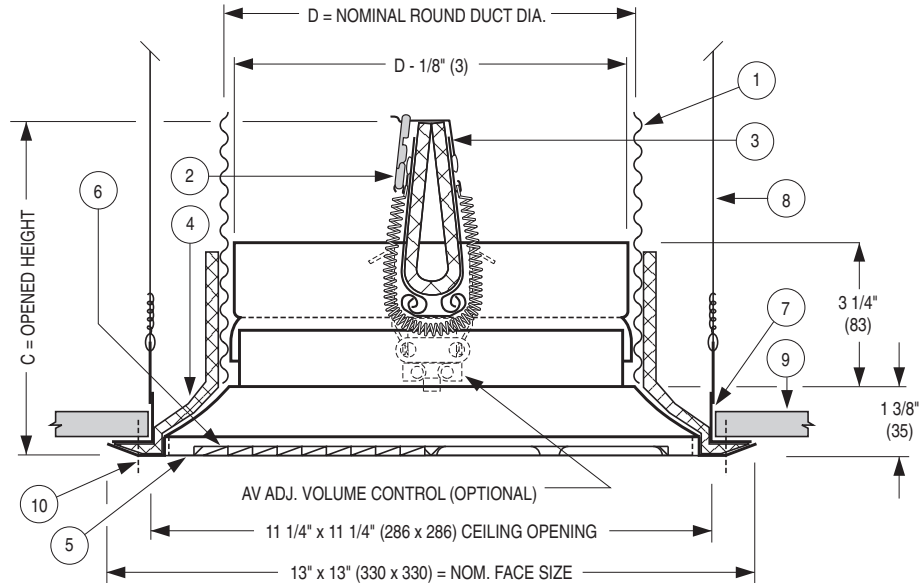




**FIRE RATED CEILING DIFFUSER**  
**PERFORATED FACE • SURFACE MOUNT •**  
**STEEL • ROUND NECK**  
**MODELS: 4070 AND 4070R TYPE S**

**12 x 12 (300 x 300) SURFACE MOUNT MODULE FOR HARD CEILINGS.**



Listed Neck Size	Imperial Modules		Metric Modules		Metric Modules	
	Imperial Units (inches)		SI Units (mm)		SI Units (mm)	
	CM = 12 x 12	CM = 305 x 305	CM = 300 x 300			
6	D	C	D	C	D	C
8	6	5 7/8	152	149	152	149
	8	6 7/8	203	175	203	175

**ITEMS:**

1. Flexible air duct (UL/ULC Class 0 or 1) connector or steel duct.
2. U.L. Listed fusible link. 212°F (100°C) standard.
3. Ceiling radiation damper/fire stop flap.
4. Ceramic fibre thermal blanket.
5. Corrosion resistant steel diffuser.
6. Adjustable pattern controllers (supply models only).
7. Mounting support frame.
8. Hanger wires (by others).
9. Ceiling membrane.
10. Mounting screws.

**DESCRIPTION:**

1. Classified by Underwriters' Laboratories of Canada (ULC) for use in ULC restrained or unrestrained floor/ceiling and or roof/ceiling assemblies which incorporate air ducts and a hard (gypsum board) ceiling membrane with up to a 3 hour rating. For details of fire rated assemblies, see the current ULC Fire Resistance Directory. The use of this product in fire-rated ceilings with ceiling membrane protection and/or ULC Classified assemblies in the U.S.A. requires local approval by the authority having jurisdiction.

**MODEL 4070 (SUPPLY)**

12 x 12 (300 x 300) module  
 Type S Surface Mount Frame

**MODEL 4070R (RETURN)**

12 x 12 (300 x 300) module  
 Type S Surface Mount Frame

2. The discharge pattern on the supply model is 1, 2, 3, or 4-way horizontal and is adjusted by dropping the perforated face and rotating the pattern deflectors. The return model is furnished without pattern controllers. Removable face has spring clips for easy access to the damper.
3. Excellent for VAV systems.
4. The perforated face has 3/16" (5) dia. holes on 1/4" (6) staggered centers.
5. Standard finish is AW Appliance White.

**OPTIONS:**

1.  AV Fusible link adjustable volume control (Model 0722A damper).
2. Non-standard temperature U.L. Listed fusible link.  165°F (74°C)
3. Finish:  SP Special

**For installation instructions, see IOM-FRDSMINST.**

**SCHEDULE TYPE:**

**PROJECT:**

**ENGINEER:**

**CONTRACTOR:**

Dimensions are in inches (mm).

DATE	B SERIES	SUPERSEDES	DRAWING NO.
11 - 11 - 15	4000	5 - 11 - 15	4000-9