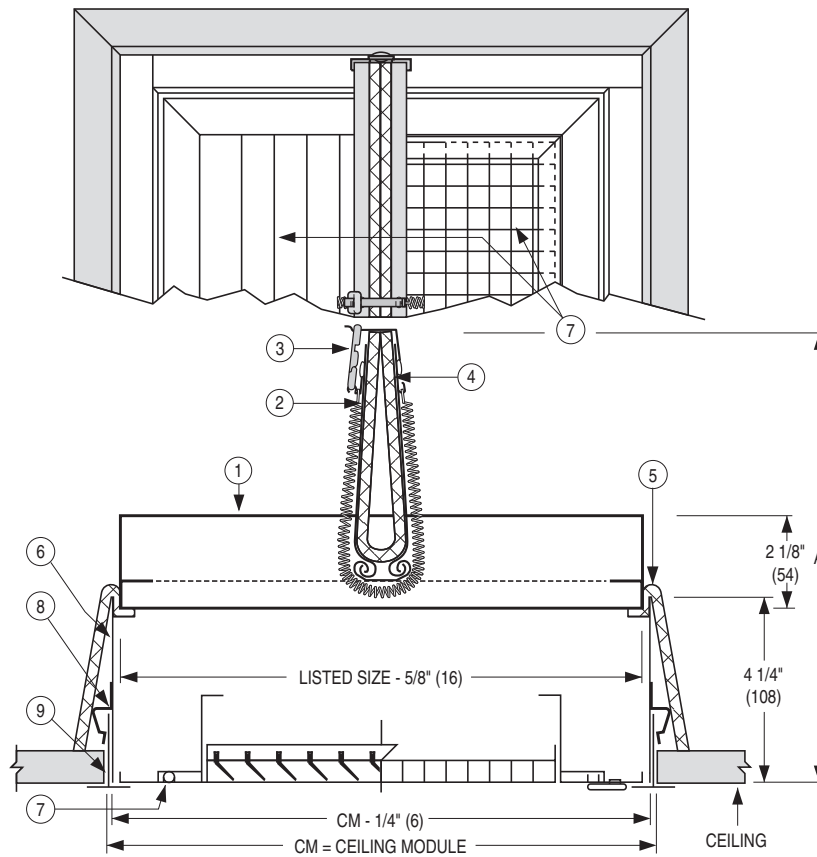




FIRE RATED DUCTLESS RETURN AIR FILTER GRILLES MODELS: 4121 THRU 4126

**Louvered Grille
Models:**
4121, 4122, 4123

**Eggcrate Grille
Models:**
4124, 4125, 4126



CATEGORY
BZZU



CATEGORY
CABS & CABST

DESCRIPTION:

1. Damper frame: galvanized steel, standard.
2. Damper blades: galvanized steel, standard.
3. U.L. Listed fusible link: 212°F (100°C) standard.
4. Blade insulation: ceramic fiber.
5. Shroud: ceramic fiber.
6. Extension frame: galvanized steel, standard.
7. Steel filter grille with hinged core secured by 1/4 turn fasteners. 1" (25) filter by others.
Louvered face: fixed 45° deflection blades on 3/4" (19) centers.
Eggcrate face: 1/2 x 1/2 x 1/2 (13 x 13 x 13) aluminum grid core.
Standard finish: AW Appliance White.
8. Ceiling grid clip: 4 attached. 2 each on opposite sides.
9. Supplementary (or existing) ceiling grid member.

OPTIONS:

1. Non-standard temperature U.L. Listed fusible link.
 165°F (74°C)
2. Finish:
 SP Special _____ .

The **Nailor Series 4100** are UL/ULC classified fire rated ceiling diffuser assemblies (ceiling dampers).

All diffusers are classified for use in UL/ULC restrained or unrestrained floor/ceiling and or roof/ceiling assemblies which incorporate an exposed grid suspended ceiling (lay-in T-bar) with up to a 3 hour rating. For details of fire rated assemblies, see the current UL or ULC Fire Resistance Directory.

For use with exposed grid T-bar ceilings only.

For installation instructions see IOM-FRDRINST.

Available Sizes and Dimensional Data

Model No.	Filter Grille	Ceiling Module		Opening Height A
		Imperial (inches)	Metric (mm)	Standard
4121	Louvered Face	12 x 12	300 x 300	10 (254)
4122		24 x 12	600 x 300	10 (254)
4123		24 x 24	600 x 600	16 (406)
4124	Eggcrate Face	12 x 12	300 x 300	10 (254)
4125		24 x 12	600 x 300	10 (254)
4126		24 x 24	600 x 600	16 (406)

SCHEDULE TYPE:

PROJECT:

ENGINEER:

CONTRACTOR:

Dimensions are in inches (mm).

DATE

B SERIES

SUPERSEDES

DRAWING NO.

5 - 11 - 15

4100

10 - 9 - 01

4100-2A