

### Dimensional Data

Unit Size	Nominal CFM (l/s)	A	B	C	D	E	Filter Size
3	300 (142)	45 (1143)	25 7/8 (657)	27 1/2 (699)	21 5/8 (549)	4 (102)	7 1/2 x 26 (191 x 660)
4	400 (189)	51 (1295)	31 7/8 (810)	33 1/2 (851)	30 1/2 (775)	2 5/8 (67)	7 1/2 x 32 (191 x 813)
6	600 (283)	61 (1549)	41 7/8 (1064)	43 1/2 (1105)	39 1/4 (997)	3 1/4 (83)	7 1/2 x 42 (191 x 1067)
8	800 (378)	63 (1600)	43 7/8 (1114)	45 1/2 (1156)	39 1/4 (997)	4 1/4 (108)	7 1/2 x 44 (191 x 1118)
10	1000 (472)	77 (1956)	57 7/8 (1470)	59 1/2 (1511)	52 1/2 (1334)	4 5/8 (117)	7 1/2 x 58 (191 x 1473)
12	1200 (566)	85 (2159)	65 7/8 (1673)	67 1/2 (1715)	61 1/4 (1556)	4 1/4 (108)	7 1/2 x 66 (191 x 1676)



### Electrical Data

Unit Size	Fan Qty.	Proportional ECM Motor FLA					3-Speed ECM Motor FLA					3-Speed PSC Motor FLA				
		Motor HP	120V	208V	240V	277V	Motor HP	120V	208V	240V	277V	Motor HP	120V	208V	240V	277V
3	1	1/4	1.1	0.7	0.7	0.7	1/8	1.1	0.7	0.7	0.7	1/15	1.0	0.5	0.5	0.5
4	2	1/4	1.0	0.7	0.7	0.7	1/8	1.0	0.7	0.7	0.7	1/15	1.1	0.8	0.5	0.9
6	2	1/4	1.8	1.3	1.3	1.3	1/4	1.8	1.3	1.3	1.3	1/6	1.9	1.0	1.0	1.0
8	2	1/4	2.2	1.5	1.4	1.3	1/4	2.2	1.5	1.4	1.3	1/6	2.0	1.0	1.1	1.1
10	3	2 @ 1/4	2.6	1.8	1.7	1.7	2 - 1/8, 1/4	2.6	1.8	1.7	1.7	2 - 1/6, 1/15	3.2	1.9	2.0	1.7
12	4	2 @ 1/4	3.0	2.2	2.0	2.1	2 @ 1/4	3.0	2.2	2.0	2.1	2 @ 1/6	3.5	1.8	1.9	1.8

FLA = Full load amperage (High Fan Speed). All motors are single phase/60 Hz.

<b>SCHEDULE TYPE:</b>		Page 1 of 2. Dimensions are in inches (mm).			
<b>PROJECT:</b>					
<b>ENGINEER:</b>	<b>DATE</b>	<b>B SERIES</b>	<b>SUPERSEDES</b>	<b>DRAWING NO.</b>	
<b>CONTRACTOR:</b>	3 - 23 - 21	41	1 - 20 - 20	41VS	

### TYPE:

- Z** Chilled/Hot Water  
(2-pipe system)

#### Coil Options:

- 2 Row C/HW  
 3 Row C/HW  
 4 Row C/HW

- ZW** Chilled & Hot Water  
(4-pipe system)

#### Coil Options:

- 2/1 CW/HW Rows  
 3/1 CW/HW Rows  
 4/1 CW/HW Rows  
 2/2 CW/HW Rows  
 3/2 CW/HW Rows

- ZE** Chilled/Hot Water & Electric Heat  
(2-pipe system)

#### Coil Options:

- 2 Row C/HW  
 3 Row C/HW  
 4 Row C/HW

### STANDARD FEATURES:

- Galvanized steel cabinet with powder coat paint finish.
- 1/2" (13) dual density insulation, exposed edges coated to prevent air erosion. Meets the requirements of NFPA 90A and UL 181.
- Single point electrical connection.
- 1" (25) throwaway filter.
- Standard controls enclosure is mounted on side opposite coil connections.
- 1/4 turn fasteners.

### MOTOR OPTIONS:

- Ultra-energy efficient proportional ECM fan motor(s) with thermal overload protection.
- Energy efficient 3-speed ECM fan motor(s) with thermal overload protection.
- 3-speed PSC fan motor(s) with thermal overload protection.

### WATER COIL SECTION:

- 1/2" (12.7) copper tubes with aluminum ripple fins.
- Cooling coils include a foam insulated, galvanized steel sloped main and aux. drain pan with 7/8" (22.2) O.D. drain connection.
- Right hand unit / coil connection as shown is standard. Left hand is opposite.
- Manual air vents.
- Sweat Connections: All 5/8" (15.9) O.D. male solder.

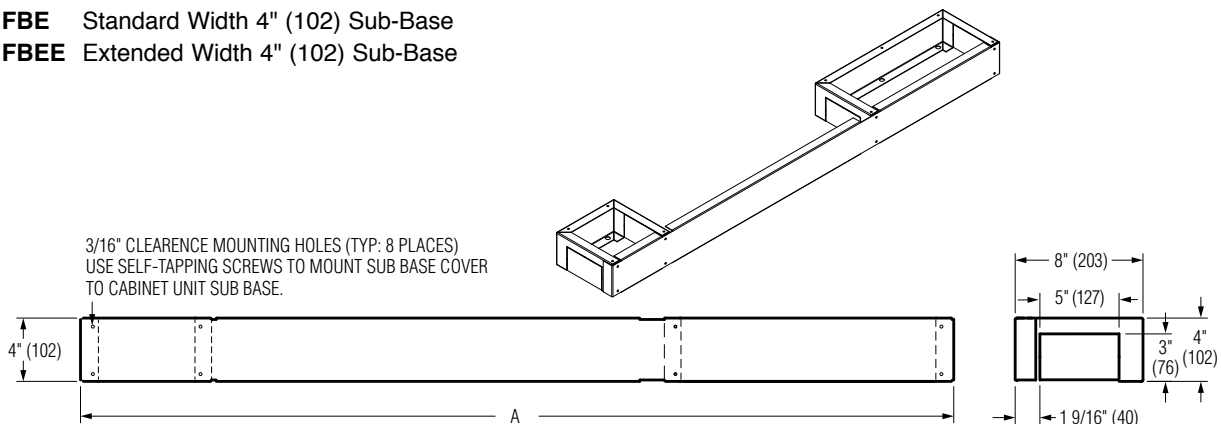
### ELECTRIC HEAT:

- High grade resistance elements mounted directly in front of fan outlets.
- Automatic reset high limit cut-outs (one per element).
- Single point power connection  
Voltage (single phase, 60 Hz):  
 120V       208V  
 240V       277V

### OPTIONS AND ACCESSORIES:

- Foil face fiberglass liner.
- Closed cell foam liner.
- 1" (25) MERV 8 pleated filter.
- Left hand unit/coil connection.
- Toggle disconnect switch.
- Drain pan float switch.
- Factory assembled valve piping package (ships loose).
- Stainless steel drain pan.
- Double deflection supply grille.
- Linear bar supply grille.
- Toe kick return grille.
- Tamper-proof fasteners.

- FBE** Standard Width 4" (102) Sub-Base
- FBEE** Extended Width 4" (102) Sub-Base



<b>SCHEDULE TYPE:</b>				
<b>PROJECT:</b>				
<b>ENGINEER:</b>	<b>DATE</b>	<b>B SERIES</b>	<b>SUPERSEDES</b>	<b>DRAWING NO.</b>
<b>CONTRACTOR:</b>	3 - 23 - 21	41	1 - 20 - 20	41VS