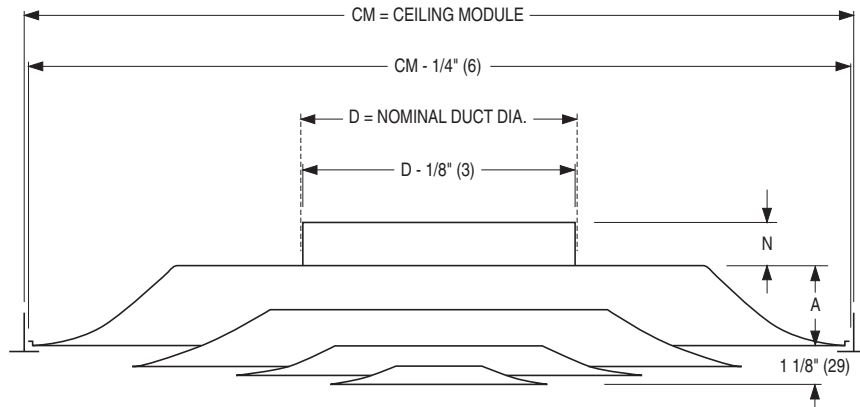




**SQUARE CEILING DIFFUSERS**  
 FIXED PATTERN • LOUVERED FACE  
 ALUMINUM • ROUND NECK • 4 CONE  
**MODEL: ARNS**

**TYPE L Lay-in T-Bar**



**Dimensional Data**

Ceiling Module CM		Imperial Units (inches)					Metric Units (mm)				
Imperial Modules	Metric Modules	Duct Size D	N	A	B	F	Duct Size D	N	A	B	F
12 x 12	300 x 300	4*	3 1/4	1	11	13	102*	83	25	279	330
		5, 6, 7, 8	1 1/4				127, 152, 178, 203				
24 x 24	600 x 600	6, 8, 10, 12, 14, 15	1 1/4	2 5/16	22	N/A	152, 203, 254, 305, 356, 381	32	59	559	N/A

\* Supplied with a reducer.

**DESCRIPTION:**

1. Material: Aluminum construction with corrosion-resistant steel neck bracketry.
2. The diffuser delivers the air in a true 360° radial horizontal pattern. Designed to minimize smudging and streaking of ceiling.
3. Excellent for VAV systems. The uniform near horizontal jets from the louvered cones maintain effective air motion over a considerable range of air volumes.
4. The models consist of four die-formed concentric cones in all sizes which eliminate mitered corners and provide uniform appearance in all neck sizes.
5. A spring clip arrangement permits quick, easy installation and removal of the inner cone assembly.
6. Diffuser has a removable plug for screwdriver adjustment of the optional damper without removing the inner core.
7. Standard finish is AW Appliance White.

**OPTIONS:**

- EX External Foil-Back Insulation, installed - R-4.2
- EXB External Foil-Back Insulation, ships loose - R-4.2
- MIB Molded Insulation Blanket - R-6.0 (24 x 24 only)
- EQT Earthquake Tabs

Finish:

- SP Special. Specify \_\_\_\_\_.

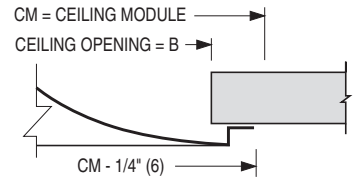
QB Quadrant Blanks:

- QB3 3-Way Blow
- QC2 2-Way Corner Blow
- QB2 2-Way Opposite Blow
- QB1 1-Way Blow

Fineline® is a registered trademark of USG Interiors Inc.

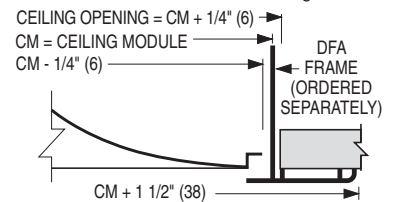
**TYPE L Surface Mount**

Hard duct connection recommended.



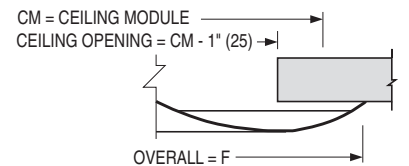
**TYPE L Surface Mount With DFA**

Drywall/Plaster frame. Recommended for flexible duct connection and ceiling access

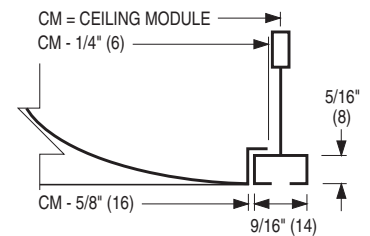


**TYPE S Surface Mount**

(12 x 12 [305 x 305] module only)



**TYPE F Fineline®**



**SCHEDULE TYPE:**

**PROJECT:**

**ENGINEER:**

**CONTRACTOR:**

Dimensions are in inches (mm).

**DATE**

**B SERIES**

**SUPERSEDES**

**DRAWING NO.**

1 - 24 - 17

RNS

7 - 25 - 16

4200-3A