

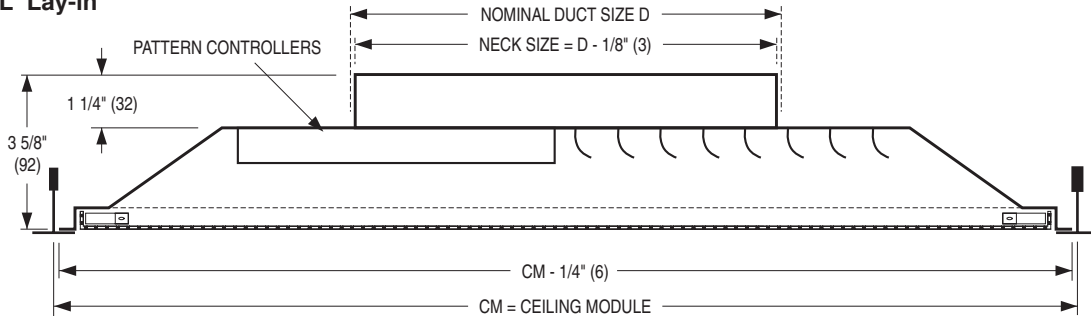


PERFORATED CEILING DIFFUSERS

SUPPLY • FLUSH FACE • NECK MOUNTED DEFLECTORS
1, 2, 3 OR 4-WAY • ADJUSTABLE DISCHARGE

MODELS: 4320F, 4320FA, 4320FAA

TYPE L Lay-in



Available Combinations of Ceiling Module vs. Neck Size

Ceiling Module CM		Nominal Duct Size D			
Imperial Modules	Metric Modules	Round Neck		Square Neck	
		Imperial Units (inches)	Metric Units (mm)	Imperial Units (inches)	Metric Units (mm)
24 x 24	600 x 600	6, 8, 10, 12, 14, 15, 16	152, 203, 254, 305, 356, 381, 406	6 x 6, 8 x 8, 10 x 10, 12 x 12, 14 x 14, 15 x 15, 16 x 16	152 x 152, 203 x 203, 254 x 254, 305 x 305, 356 x 356, 381 x 381, 406 x 406

DESCRIPTION:

1. Material: Corrosion-resistant steel.
2. Designed to maximize throw, the diffuser features heavy gauge stamped pattern controllers mounted directly under the neck. The controllers are factory set with a 4-way discharge. The discharge pattern can be field adjusted to a 1, 2, or 3-way pattern. The air pattern controller has curved vanes that optimize airflow projection.
3. Hinged, removable face for easy access to core and optional damper.
4. Perforated face has 3/16" (5) diameter holes on 1/4" (6) staggered centers (51% free area).
5. Excellent performance in VAV systems.
6. Standard finish is AW Appliance White.

OPTIONS:

- Aluminum perforated face/steel backpan. (Model 4320FA).
- Aluminum perforated face and backpan. (Model 4320FAA).
- EX External Foil-Back Insulation, installed - R-4.2 (24 x 24 max.)
- EXB External Foil-Back Insulation, ships loose - R-4.2 (24 x 24 max.)
- MIB Molded Insulation Blanket - R-6.0 (24 x 24 only)

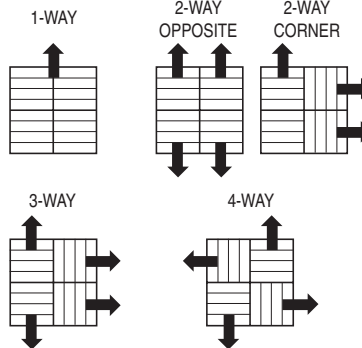
Finish:

- BA Black back pan and deflectors with Appliance White face.
- SP Special _____.

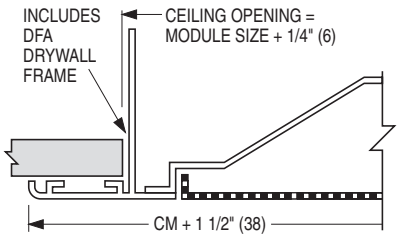
Fineline® is a registered trademark of USG Interiors Inc.

PATTERN CONTROLLER ADJUSTMENTS

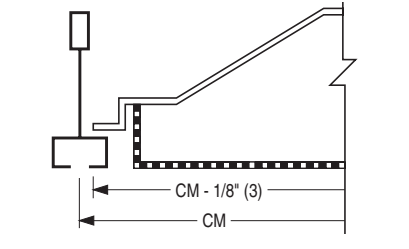
(THE DIFFUSER IS SHIPPED WITH A 4-WAY DISCHARGE).



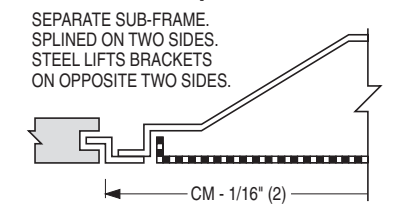
TYPE S Surface Mount



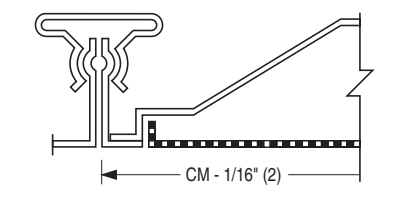
TYPE F Fineline® T-Bar



TYPE SP Spline



TYPE M Metal Pan (Snap-in)



Dimensions are in inches (mm).

SCHEDULE TYPE:

PROJECT:

ENGINEER:

CONTRACTOR:

DATE

B SERIES

SUPERSEDES

DRAWING NO.

8 - 7 - 19

4300

3 - 22 - 16

4320F