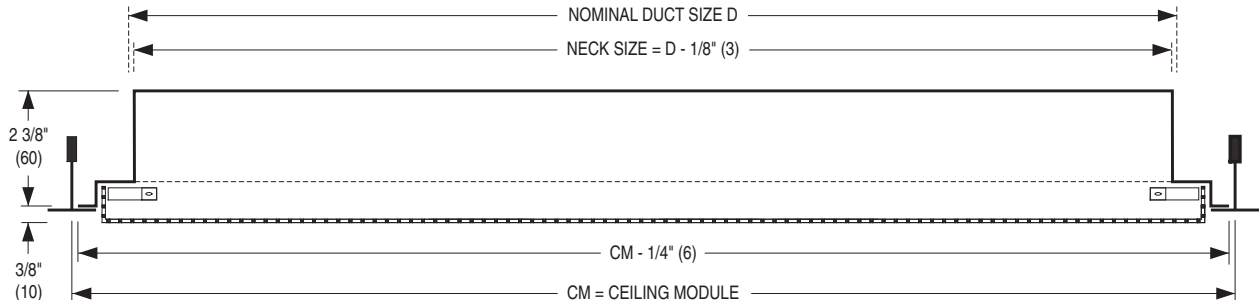




**PERFORATED CEILING DIFFUSERS**  
 RETURN • DROP FACE • SQUARE NECK (FULL SIZE)  
**MODELS: 4365, 4365A, 4365AA**

**TYPE L Lay-in T-Bar**



**Imperial Module & Metric Module Table**

Ceiling Module CM		Nominal Duct Size D	
Imperial Modules	Metric Modules	Square Neck	
		Imperial Units (inches)	Metric Units (mm)
12 x 12	300 x 300	10 x 10	250 x 250
24 x 12	600 x 300	22 x 10	550 x 250
20 x 20	500 x 500	18 x 18	450 x 450
24 x 24	600 x 600	22 x 22	550 x 550
48 x 24	1200 x 600	46 x 22	1150 x 550

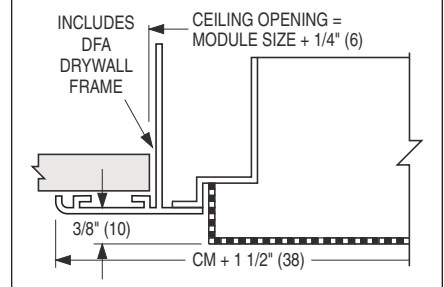
**DESCRIPTION:**

1. Material: Corrosion-resistant steel.
2. Designed to match supply air models 4320, 4320CB, 4320F and 4320M in appearance and construction detail, except that the air pattern controllers are not required and are omitted. This version is for ducted or ductless return applications. Features a dedicated frame assembly which has a neck that is 2" (51) less than the ceiling module size for maximum area.
3. Removable face has concealed latches for easy access to optional damper.
4. Perforated face has 3/16" (5) diameter holes on 1/4" (6) staggered centres.
5. Standard finish is AW Appliance White.

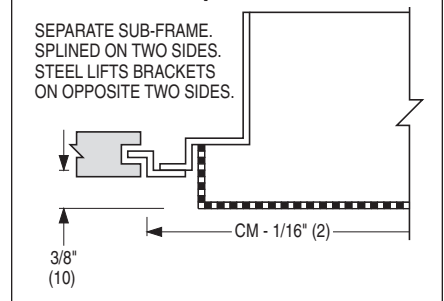
**OPTIONS:**

- Aluminum perforated face/steel backpan. (Model 4365A).
- Aluminum perforated face and backpan. (Model 4365AA).
- Finish:
- BA Black back pan with Appliance White face.
- SP Special \_\_\_\_\_.

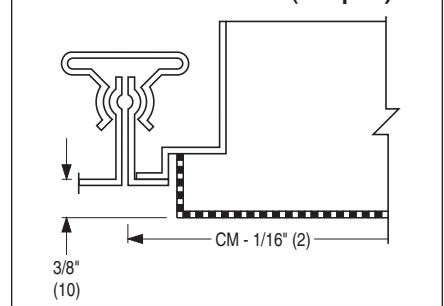
**TYPE S Surface Mount**



**TYPE SP Spline**



**TYPE M Metal Pan (Snap-in)**



Dimensions are in inches (mm).

<b>SCHEDULE TYPE:</b>
<b>PROJECT:</b>
<b>ENGINEER:</b>
<b>CONTRACTOR:</b>

<b>DATE</b>	<b>B SERIES</b>	<b>SUPERSEDES</b>	<b>DRAWING NO.</b>
2 - 6 - 17	4300	3 - 10 - 16	4365-1