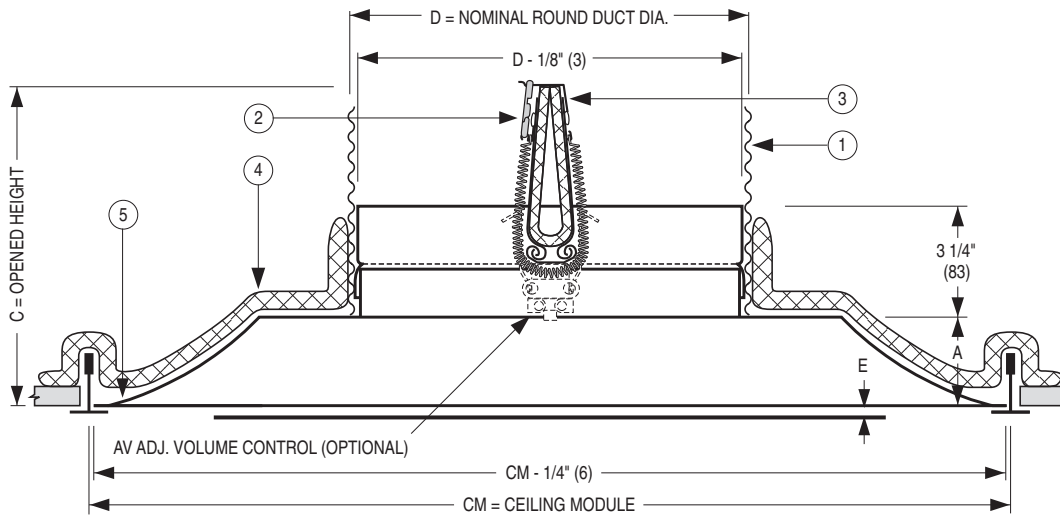




**FIRE RATED CEILING DIFFUSER**  
**ARCHITECTURAL • UNI**  
**STEEL • SQUARE FACE • ROUND NECK**  
**MODELS: 4410-UNI AND 4420-UNI**



CLASSIFIED  
 UL  
 CATEGORY  
 BZZU



CLASSIFIED  
 UL  
 CATEGORY  
 BZGUC



	Imperial Modules				Metric Modules							
	Imperial Units (inches)				SI Units (mm)							
Listed Neck Size	CM = 12 x 12				CM = 305 x 305				CM = 300 x 300			
	D	A	C	E	D	A	C	E	D	A	C	E
6	6	1	5 1/2	5/8	152	25	140	16	152	25	140	16
8	8		6 1/2		203		165		203		165	
Listed Neck Size	CM = 24 x 24				CM = 610 x 610				CM = 600 x 600			
	D	A	C	E	D	A	C	E	D	A	C	E
6	6		6 13/16		152		173		152		173	
8	8		7 13/16		203		198		203		198	
10	10	2 5/16	8 13/16	3/8	254	59	224	10	254	59	224	10
12	12		9 13/16		305		249		305		249	
14	14		10 13/16		356		275		356		275	

**MODEL 4410-UNI**  
 12 x 12 (300 x 300) module  
 Type L Lay-in Frame

**MODEL 4420-UNI**  
 24 x 24 (600 x 600) module  
 Type L Lay-in Frame

**ITEMS:**

- Flexible air duct (UL/ULC Class 0 or 1) connector or steel duct.
- U.L. Listed fusible link. 212°F (100°C) standard.
- Ceiling radiation damper/fire stop flap.
- Ceramic fibre thermal blanket.
- Corrosion resistant steel diffuser.

**DESCRIPTION:**

- All models are classified for use in UL/ULC restrained or unrestrained floor/ceiling and or roof/ceiling assemblies which incorporate an exposed grid suspended ceiling (lay-in T-bar) with up to a 3 hour rating. For details of fire rated assemblies, see the current UL or ULC Fire Resistance Directory.
- A spring clip arrangement permits quick, easy installation and removal of the inner cone assembly.
- The diffuser delivered air in a true 360° streamline pattern. Excellent for VAV systems.
- The diffuser consists of stamped one-piece outer-cone which eliminates

- mitered corners and a double-skinned inner face panel with a hemmed edge for strength and a clean appearance.
- Fixed ceiling radiation damper is standard. The adjustable model with volume control for balancing is optional.
- Standard finish is AW Appliance White.

**OPTIONS:**

- AV Fusible link adjustable volume control (Model 0722A damper)
- Non-standard temperature U.L. Listed fusible link.  
 165°F (74°C)
- Finish:  
 SP Special \_\_\_\_\_ .

For installation instructions, see IOM-FRDSINST or IOM-FRDFINST.

Dimensions are in inches (mm).

<b>SCHEDULE TYPE:</b>
<b>PROJECT:</b>
<b>ENGINEER:</b>
<b>CONTRACTOR:</b>

<b>DATE</b>	<b>B SERIES</b>	<b>SUPERSEDES</b>	<b>DRAWING NO.</b>
11 - 24 - 16	4400	5 - 11 - 15	4400-3