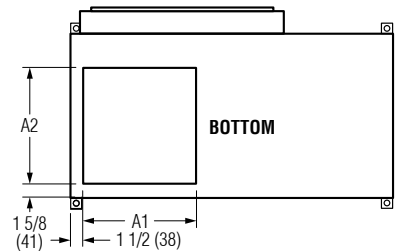
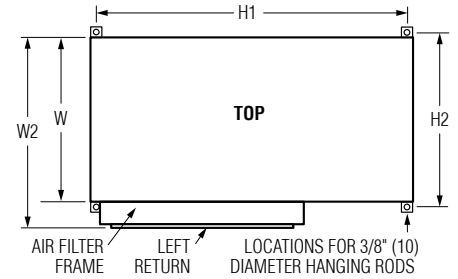
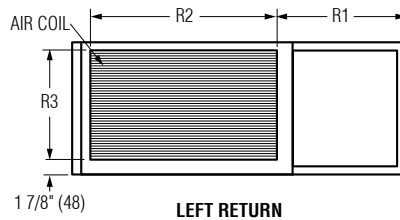
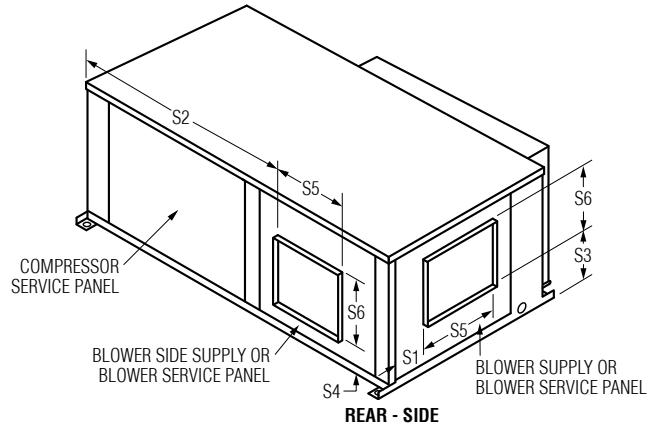
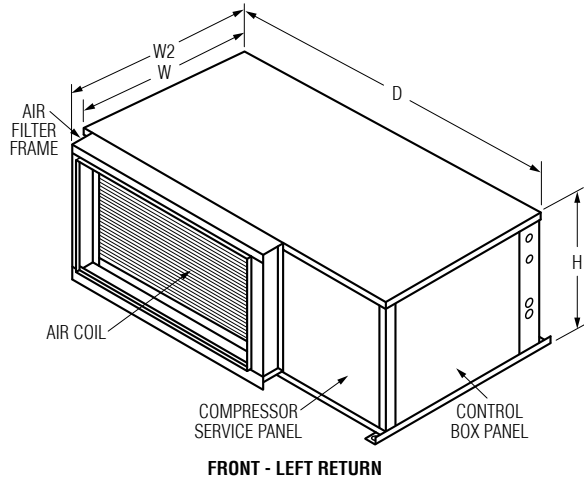




SERENITY HORIZONTAL PACKAGED WATER SOURCE HEAT PUMP WITH ECM MOTOR AND R-454B REFRIGERANT • LEFT RETURN
MODEL SERIES: 44PH-B • UNIT SIZES 6 – 60



Dimensional Data for Standard Units

Unit Size	W	W2	D	H	S1	S2	S3	S4	S5	S6	R1	R2	R3	H1	H2	A1	A2	Filter Size
6, 9, 12	20 (508)	23 1/8 (587)	34 (864)	11 1/2 (292)	1 7/16 (36)	21 7/8 (555)	3 5/8 (92)	1 3/4 (45)	10 11/16 (272)	6 3/4 (171)	15 3/8 (391)	16 (406)	8 1/2 (216)	32 9/16 (827)	21 1/2 (546)	13 13/16 (352)	14 3/16 (360)	10 x 18 (254 x 457)
15, 18	22 (559)	25 1/8 (638)	43 (1092)	17 (432)	4 1/16 (103)	26 1/16 (662)	7 9/16 (192)	1 1/2 (39)	11 7/8 (302)	8 (204)	17 3/8 (442)	23 (584)	14 (356)	41 9/16 (1055)	23 1/2 (597)	16 13/16 (428)	16 3/16 (411)	16 x 25 (406 x 653)
24	22 (559)	25 1/8 (638)	45 (1143)	18 (457)	1 7/16 (36)	29 1/8 (740)	6 1/8 (156)	2 3/4 (70)	13 7/16 (342)	9 1/8 (232)	16 3/8 (417)	26 (660)	15 (382)	43 9/16 (1106)	23 1/2 (597)	16 13/16 (428)	16 3/16 (411)	16 x 28 (406 x 711)
30	22 (559)	25 1/8 (638)	45 (1143)	18 (457)	4 1/16 (103)	28 15/16 (735)	5 7/8 (149)	1 1/2 (39)	11 (280)	10 5/8 (271)	16 3/8 (417)	26 (660)	15 (382)	43 9/16 (1106)	23 1/2 (597)	16 13/16 (428)	16 3/16 (411)	16 x 28 (406 x 711)
36	22 (559)	25 1/8 (638)	55 (1397)	19 (483)	2 13/16 (71)	36 13/16 (935)	6 5/8 (168)	1 3/4 (45)	14 3/8 (366)	10 5/8 (271)	18 7/16 (469)	33 15/16 (862)	16 (407)	53 9/16 (1360)	23 1/2 (597)	16 13/16 (428)	16 3/16 (411)	18 x 36 (457 x 914)
42	22 (559)	25 1/8 (638)	55 (1397)	22 (559)	4 9/16 (116)	37 5/16 (948)	8 5/16 (211)	2 (51)	12 1/8 (308)	11 3/4 (299)	18 7/16 (469)	33 15/16 (862)	19 (483)	53 9/16 (1360)	23 1/2 (597)	16 13/16 (428)	16 3/16 (411)	20 x 36 (508 x 660)
48	25 (635)	28 1/8 (714)	55 (1397)	22 (559)	4 9/16 (116)	37 5/16 (948)	8 5/16 (211)	2 (51)	12 1/8 (308)	11 3/4 (299)	18 7/16 (469)	33 15/16 (862)	19 (483)	53 9/16 (1360)	26 1/2 (673)	19 13/16 (504)	19 3/16 (487)	20 x 36 (508 x 660)
60	25 (635)	28 1/8 (714)	55 (1397)	22 (559)	4 9/16 (116)	34 9/16 (878)	8 3/16 (208)	2 (51)	14 7/8 (378)	11 3/4 (299)	18 7/16 (469)	33 15/16 (862)	19 (483)	53 9/16 (1360)	26 1/2 (673)	19 13/16 (504)	19 3/16 (487)	20 x 36 (508 x 660)

SCHEDULE TYPE:

PROJECT:

ENGINEER:

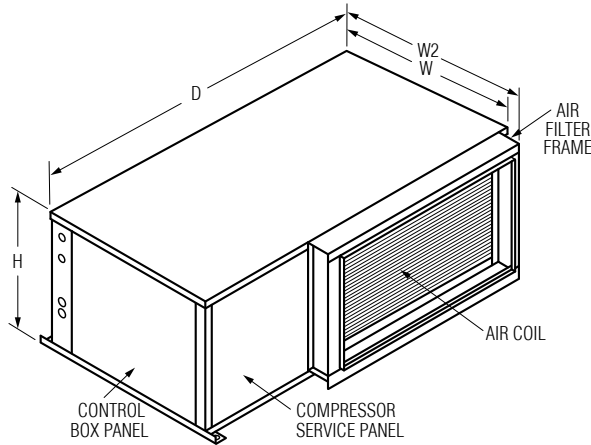
CONTRACTOR:

Page 1 of 4.
 Dimensions are in inches (mm).

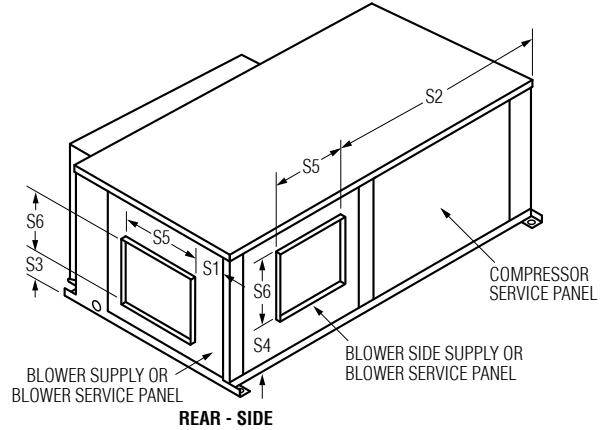
DATE	B SERIES	SUPERSEDES	DRAWING NO.
4 - 17 - 26	44	4 - 14 - 26	44PHB-1



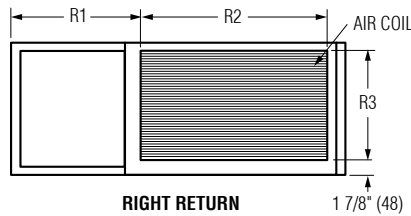
SERENITY HORIZONTAL PACKAGED WATER SOURCE HEAT PUMP WITH ECM MOTOR AND R-454B REFRIGERANT • RIGHT RETURN
MODEL SERIES: 44PH-B • UNIT SIZES 6 – 60



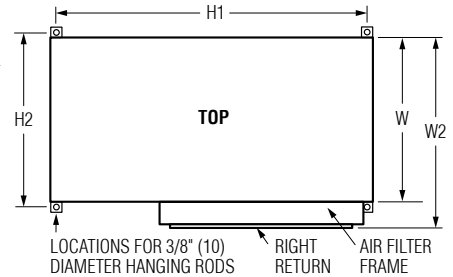
FRONT - RIGHT RETURN



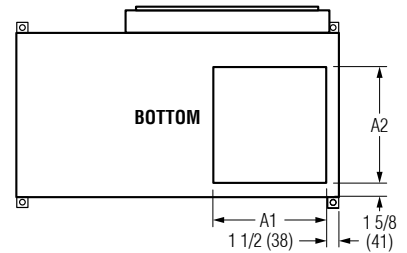
REAR - SIDE



RIGHT RETURN



TOP



BOTTOM



Dimensional Data For Standard Units

Unit Size	W	W2	D	H	S1	S2	S3	S4	S5	S6	R1	R2	R3	H1	H2	A1	A2	Filter Size
6, 9, 12	20 (508)	23 1/8 (587)	34 (864)	11 1/2 (292)	1 7/16 (36)	21 7/8 (555)	1 3/4 (44)	3 1/16 (78)	10 11/16 (272)	6 3/4 (171)	15 3/8 (391)	16 1/8 (410)	8 1/2 (216)	32 9/16 (827)	21 1/2 (546)	13 13/16 (352)	14 3/16 (360)	10 x 18 (254 x 457)
15, 18	22 (559)	25 1/8 (638)	43 (1092)	17 (432)	4 1/16 (103)	26 1/16 (662)	1 9/16 (40)	7 1/2 (191)	11 7/8 (302)	8 (204)	17 3/8 (442)	23 1/8 (587)	14 (356)	41 9/16 (1055)	23 1/2 (597)	16 13/16 (428)	16 3/16 (411)	16 x 25 (406 x 653)
24	22 (559)	25 1/8 (638)	45 (1143)	18 (457)	1 7/16 (36)	29 1/8 (740)	2 3/4 (70)	6 1/8 (156)	13 7/16 (342)	9 1/8 (232)	16 3/8 (417)	26 1/8 (664)	15 (382)	43 9/16 (1106)	23 1/2 (597)	16 13/16 (428)	16 3/16 (411)	16 x 28 (406 x 711)
30	22 (559)	25 1/8 (638)	45 (1143)	18 (457)	4 1/16 (103)	28 15/16 (735)	1 9/16 (40)	5 7/8 (150)	11 (280)	10 5/8 (270)	16 3/8 (417)	26 1/8 (664)	15 (382)	43 9/16 (1106)	23 1/2 (597)	16 13/16 (428)	16 3/16 (411)	16 x 28 (406 x 711)
36	22 (559)	25 1/8 (638)	55 (1397)	19 (483)	2 13/16 (71)	36 13/16 (935)	1 3/4 (44)	6 5/8 (169)	14 3/8 (366)	10 5/8 (271)	18 7/16 (469)	34 9/16 (878)	16 (407)	53 9/16 (1360)	23 1/2 (597)	16 13/16 (428)	16 3/16 (411)	18 x 36 (457 x 914)
42	22 (559)	25 1/8 (638)	55 (1397)	22 (559)	4 9/16 (116)	37 5/16 (948)	2 1/32 (52)	8 1/4 (210)	12 1/8 (308)	11 3/4 (299)	18 7/16 (469)	34 9/16 (878)	19 (483)	53 9/16 (1360)	23 1/2 (597)	16 13/16 (428)	16 3/16 (411)	20 x 36 (508 x 660)
48	25 (635)	28 1/8 (714)	55 (1397)	22 (559)	4 9/16 (116)	37 5/16 (948)	2 1/32 (52)	8 1/4 (210)	12 1/8 (308)	11 3/4 (299)	18 7/16 (469)	34 9/16 (878)	19 (483)	53 9/16 (1360)	26 1/2 (673)	19 13/16 (504)	19 3/16 (487)	20 x 36 (508 x 660)
60	25 (635)	28 1/8 (714)	55 (1397)	22 (559)	4 9/16 (116)	34 9/16 (878)	2 1/32 (52)	8 1/4 (210)	14 7/8 (378)	11 3/4 (299)	18 7/16 (469)	34 9/16 (878)	19 (483)	53 9/16 (1360)	26 1/2 (673)	19 13/16 (504)	19 3/16 (487)	20 x 36 (508 x 660)

SCHEDULE TYPE:

PROJECT:

ENGINEER:

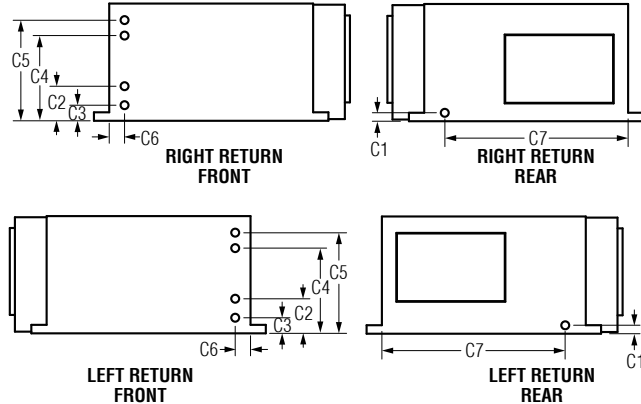
CONTRACTOR:

Page 2 of 4.
 Dimensions are in inches (mm).

DATE	B SERIES	SUPERSEDES	DRAWING NO.
4 - 17 - 26	44	4 - 14 - 26	44PHB-1



SERENITY HORIZONTAL PACKAGED WATER SOURCE HEAT PUMP WITH ECM MOTOR AND R-454B REFRIGERANT • LEFT AND RIGHT RETURN MODEL SERIES: 44PH-B • UNIT SIZES 6 – 60



Dimensions Data - Coil Connections

Unit Size	C1 COND. DRAIN	C2 WATER OUT	C3 WATER IN	C4 POWER SUPPLY	C5 THERMO-STAT	C6 EDGE TO CONNECTIONS	C7 EDGE TO COND. DRAIN
6, 9, 12	7/8 (22)	3 13/32 (87)	1 9/16 (40)	8 3/8 (212)	9 7/8 (251)	1 1/2 (38)	18 (457)
15, 18	7/8 (22)	3 13/32 (87)	1 9/16 (40)	13 7/8 (352)	15 3/8 (390)	1 1/2 (38)	20 (507)
24	7/8 (22)	3 13/32 (87)	1 9/16 (40)	11 7/8 (301)	16 3/8 (416)	2 1/2 (64)	20 (507)
30	7/8 (22)	3 13/32 (87)	1 9/16 (40)	11 7/8 (301)	16 3/8 (416)	2 1/2 (64)	20 (507)
36	7/8 (22)	3 13/32 (87)	1 9/16 (40)	12 7/8 (327)	17 3/8 (441)	2 1/2 (64)	20 (507)
42	7/8 (22)	5 15/16 (150)	3 1/16 (77)	15 7/8 (403)	20 3/8 (517)	2 1/2 (64)	20 (507)
48	7/8 (22)	5 15/16 (150)	3 1/16 (77)	15 7/8 (403)	20 3/8 (517)	2 1/2 (64)	23 (584)
60	7/8 (22)	5 15/16 (150)	3 1/16 (77)	15 7/8 (403)	20 3/8 (517)	2 1/2 (64)	23 (584)

STANDARD FEATURES:

- Heat pump system
- Refrigerant circuit
- Copper tube/Aluminum fin
- Cabinets are constructed with a minimum 16 ga. galvanized steel base and a combination of 16 and 20 ga. cabinet components
- ECM Ultra-high efficiency fan motor with overload protection
- High-efficiency rotary and scroll compressors
- Compressors mounted on rubber vibration isolators to minimize vibration transmission
- Condensate drain pan overflow switch
- Highly efficient heat exchanger optimizes efficiency
- TXV metering device.
- 1/2" (13) dual density fiberglass insulation.
- Stainless steel insulated condensate drain pan.
- Multiple return air configurations
- Flow control (1.0 to 20.0 GPM)
- Solid state control with thermostat
- 1" (25) throwaway filter
- Exceeds ASHRAE 90.1 efficiencies

OPTIONS:

- Other systems: Cooling Only
- 2" (51) Throwaway filter
- 1" (25) MERV 8 pleated filter
- 2" (51) MERV 8 pleated filter
- 1" (25) MERV 11 pleated filter
- 2" (51) MERV 11 pleated filter
- 1" (25) MERV 13 pleated filter
- 2" (51) MERV 13 pleated filter
- Toggle disconnect switch.
- Fused disconnect switch.
- Cupro-Nickel
- Standard geothermal
- Cupro-nickel geothermal
- Compressor sound blanket
- External flow control
- Freeze protection
- Thermostat/Controls (by Engineered Comfort)
- Valve package internal
- Valve package external (Ship loose)
- 2-Way valve
- 3-Way valve
- Flow control valve
- 1/2" (13) Foil face
- 1/2" (13) Closed cell foam
- Ball valve
- Memory stop
- Condensate pump
- Unit circuit breaker
- Special features: _____

Voltage:

- Single phase, 60 Hz.
- 208V/230V 265V
- Three phase, 60 Hz.
- 460V

General Information

Unit Size	TON	CFM	GPM	Cooling*			Heating**		Compressor	Shipping Weight (lbs)	Operating Weight (lbs)
				Total Capacity (btuh)	Sensible Capacity (btuh)	EER	Capacity (btuh)	COP			
6	1/2	200	1.7	6,000	4,350	15.0	7,500	5.0	Rotary	140	125
9	3/4	300	2.5	9,000	6,000	14.0	11,500	4.4	Rotary	143	128
12	1	400	3.3	12,500	9,250	13.0	15,000	4.4	Rotary	145	130
15	1 1/4	500	4.1	15,000	10,800	17.0	18,000	5.6	Rotary	197	180
18	1 1/2	600	5.0	18,000	12,820	16.0	22,500	5.3	Rotary	207	190
24	2	800	6.6	24,000	17,590	16.4	27,000	5.0	Scroll	239	230
30	2 1/2	1000	8.3	30,000	21,900	15.8	34,000	4.8	Scroll	244	235
36	3	1200	9.9	36,000	25,840	17.0	41,500	5.0	Scroll	291	280
42	3 1/2	1400	11.6	42,000	28,440	16.0	48,000	4.6	Scroll	331	320
48	4	1600	13.2	48,000	33,110	15.0	56,000	4.6	Scroll	348	325
60	5	2000	15.0	58,000	41,100	13.3	72,000	4.3	Scroll	363	340

* Based on 86°F Entering Water Temp., 80°F DB 67°F WB Air Temperature. Performance based upon 208/60/1 voltage.
 ** Based on 68°F Entering Water Temp., 68°F DB 59°F WB Air Temperature.

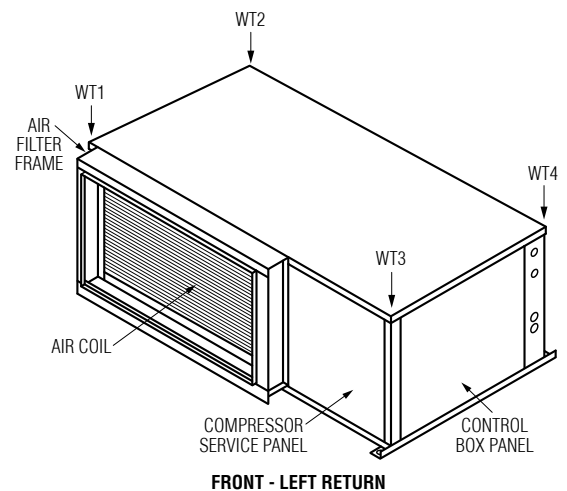
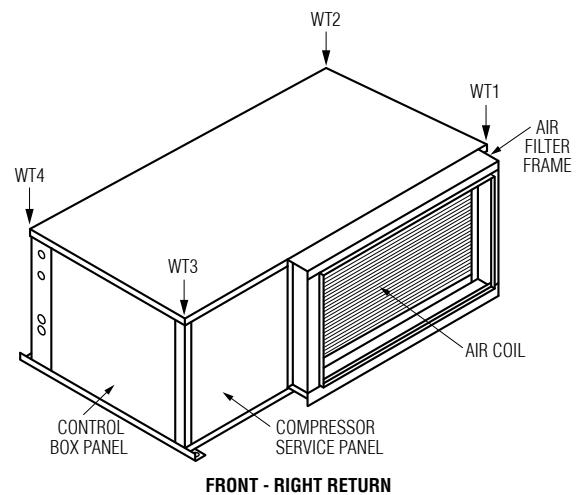
SCHEDULE TYPE:				Page 3 of 4.					
PROJECT:				Dimensions are in inches (mm).					
ENGINEER:		DATE		B SERIES		SUPERSEDES		DRAWING NO.	
CONTRACTOR:		4 - 17 - 26		44		4 - 14 - 26		44PHB-1	

Electrical Data

Unit Size	Compressor				Supply Blower Motor		Single Point Power	
	Voltage-Hertz-Phase	RLA	LRA	QTY	FLA	HP	MCA	MOPD
6	208/230-60-1	2.4	17.7	1	1.8	1/4	4.8	15
	265-60-1	2.0	13.5	1	1.6	1/4	4.1	15
9	208/230-60-1	4.4	27.9	1	1.8	1/4	7.3	15
	265-60-1	3.5	22.2	1	1.6	1/4	6.0	15
12	208/230-60-1	5.2	29.0	1	1.8	1/4	8.3	15
	265-60-1	4.2	20.0	1	1.6	1/4	6.9	15
15	208/230-60-1	5.2	26.0	1	1.8	1/4	8.3	15
	265-60-1	4.7	21.0	1	1.6	1/4	7.5	15
18	208/230-60-1	6.6	36.0	1	1.8	1/4	10.1	15
	265-60-1	5.4	27.0	1	1.6	1/4	8.4	15
24	208/230-60-1	10.3	60.2	1	3.9	1/2	16.8	25
	265-60-1	10.3	60.5	1	3.6	1/2	16.5	25
	208/230-60-3	7.7	59.9	1	3.9	1/2	13.5	20
	460-60-3	3.8	32.4	1	1.2	1/2	6.0	15
30	208/230-60-1	12.7	75.6	1	3.9	1/2	19.8	30
	265-60-1	11.5	84.0	1	3.6	1/2	18.0	25
	208/230-60-3	9.6	67.7	1	3.9	1/2	15.9	25
	460-60-3	4.5	38.1	1	1.2	1/2	6.8	15
36	208/230-60-1	13.5	82.5	1	3.9	1/2	20.8	30
	265-60-1	12.2	83.0	1	3.6	1/2	18.9	30
	208/230-60-3	12.8	97.5	1	3.9	1/2	19.9	30
	460-60-3	5.1	44.3	1	1.2	1/2	7.6	15
42	208/230-60-1	17.3	123.0	1	6.0	3/4	27.6	40
	208/230-60-3	12.8	102.8	1	6.0	3/4	22.0	30
	460-60-3	5.8	50.0	1	1.7	3/4	9.0	15
48	208/230-60-1	22.4	126.0	1	6.0	3/4	34.0	50
	208/230-60-3	12.8	120.4	1	6.0	3/4	22.0	30
	460-60-3	6.0	49.4	1	1.7	3/4	9.2	15
60	208/230-60-1	25.6	155.0	1	7.4	1	39.4	60
	208/230-60-3	18.6	155.0	1	7.4	1	29.3	45
	460-60-3	8.3	58.1	1	2.3	1	12.1	20

Corner Weights

Unit Size	TOTAL WEIGHT	CORNER WT1	CORNER WT2	CORNER WT3	CORNER WT4
6	125	27	25	41	32
9	128	27	26	42	33
12	130	28	26	43	33
15	180	39	36	59	46
18	190	41	38	62	49
24	230	49	47	75	59
30	235	50	48	77	60
36	280	60	57	91	72
42	320	68	65	105	82
48	325	70	66	106	83
60	340	73	69	111	87



SCHEDULE TYPE:

PROJECT:

ENGINEER:

CONTRACTOR:

DATE

B SERIES

SUPERSEDES

DRAWING NO.

4 - 17 - 26

44

4 - 14 - 26

44PHB-1

Page 4 of 4.

Dimensions are in inches (mm).