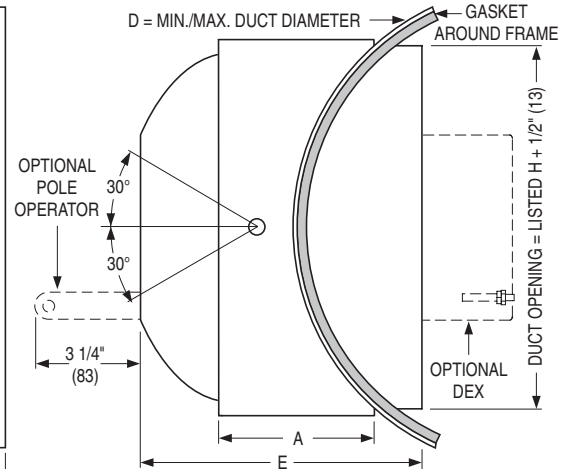
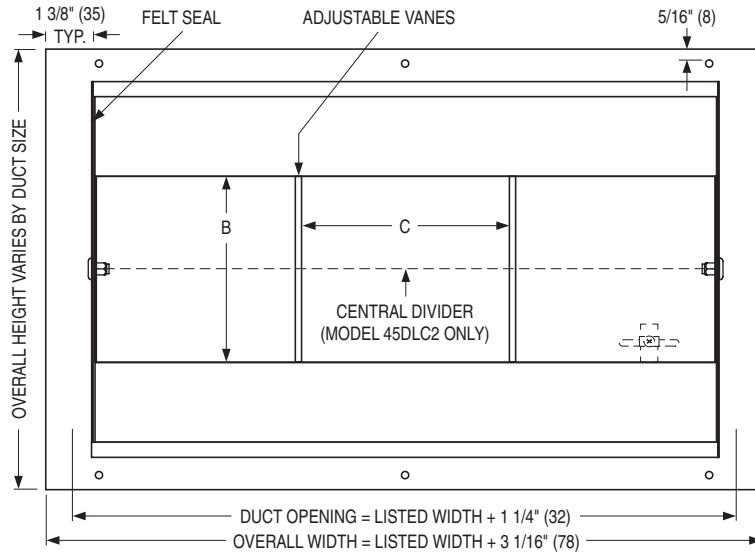




DRUM LOUVER • HIGH CAPACITY
INDUSTRIAL SUPPLY GRILLES • ALUMINUM
MODELS: 45DLC1 & 45DLC2 SPIRAL DUCT MOUNT

45DLC1 Adjustable Vanes

45DLC2 Split Vanes



AVAILABLE SIZES AND DIMENSIONAL DATA

Height	6		10		12		15	
	W x H	No. of Vanes	W x H	No. of Vanes	W x H	No. of Vanes	W x H	No. of Vanes
Listed Sizes Nominal Width x Height in Inches	9 x 6	2	18 x 10	2	18 x 12	2	18 x 15	2
	12 x 6	3	24 x 10	3	24 x 12	3	24 x 15	3
	15 x 6	4	30 x 10	4	30 x 12	4	30 x 15	4
	18 x 6	5	36 x 10	5	36 x 12	5	36 x 15	5
	24 x 6	7	42 x 10	6	42 x 12	6	42 x 15	6
	30 x 6	9	48 x 10	7	48 x 12	7	48 x 15	7
	36 x 6	11	54 x 10	8	54 x 12	8	54 x 15	8
	48 x 6	15	60 x 10	9	60 x 12	9	60 x 15	9
	54 x 6	17	-	-	-	-	-	-
	60 x 6	19	-	-	-	-	-	-

Dimensions in Inches (mm)	A	2 3/4 (70)	4 1/2 (114)	5 1/2 (140)	7 (178)
	B	3 3/8 (86)	5 3/8 (137)	6 3/8 (162)	9 3/8 (238)
	C	3 (76)	6 (152)	6 (152)	6 (152)
	D	10 - 60 (254 - 1524)	14 - 60 (356 - 1524)	16 - 60 (406 - 1524)	20 - 60 (508 - 1524)
	E	5 (127)	8 1/8 (206)	9 9/16 (243)	11 9/16 (294)

DESCRIPTION:

1. Material: Aluminum.
2. Models 45DLC1/45DLC2 are designed to handle large air capacities and provide long throws. It is ideally suited for applications where ductwork cannot be brought close to the occupants in large conditioned spaces such as; shopping malls, industrial plants and stadiums.
3. Curved frame installs directly on spiral ducts without the use of duct taps.

4. Length of throw, direction and horizontal spread can be controlled by means of the rotating drum and pivoted adjustable vanes.
5. Felt seal around drum minimizes air leakage and holds drum secure in selected position.
6. 45DLC2 Split Vane option allows bi-directional horizontal throw.
7. Standard finish is AW Appliance white.

OPTIONS:

- OBD Opposed Blade Damper
 - DEX Damper/Extractor (Air Scoop)
 - PB Pole Operator
- Finish:
- AL Aluminum
 - MI Mill
 - SP Special _____

Dimensions are in inches (mm).

SCHEDULE TYPE:					
PROJECT:					
ENGINEER:		DATE	B SERIES	SUPERSEDES	DRAWING NO.
CONTRACTOR:		6 - 25 - 20	4500	12 - 4 - 17	45DLC-1