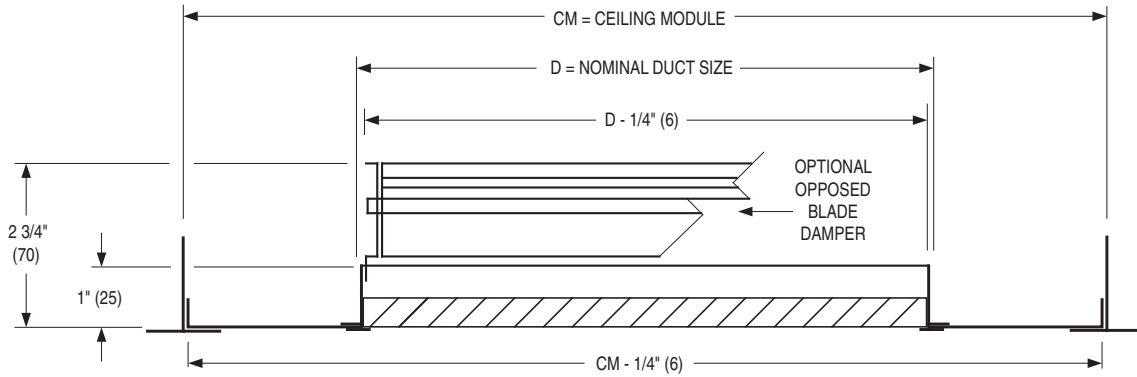




ALUMINUM EGGCRATE RETURN GRILLES & REGISTERS
 45° DEFLECTION • SIGHTPROOF
 PANEL MOUNTED • LAY-IN T-BAR
 MODELS: 51EC45(-O) TYPE PLS OR PLA

FOR LAY-IN T-BAR TYPE CEILING SYSTEMS



AVAILABLE CEILING MODULE SIZES		
Imperial Modules		Metric Modules
Imperial Units (in.)	Metric Units (mm)	S.I. Units (mm)
12 x 12	305 x 305	300 x 300
24 x 12	610 x 305	600 x 300
36 x 12	914 x 305	900 x 300
48 x 12	1219 x 305	1200 x 300
20 x 20	508 x 508	500 x 500
24 x 24	610 x 610	600 x 600
36 x 24	914 x 610	900 x 600
48 x 24	1219 x 610	1200 x 600

- MODEL 51EC45** Eggcrate Return Air Grille
 - Type PLS** Steel Panel
 - Type PLA** Aluminum Panel

- MODEL 51EC45-O** Eggcrate Return Air Register (Includes O. B. Damper)
 - Type PLS** Steel Panel
 - Type PLA** Aluminum Panel

Maximum Duct/Neck Size D = Ceiling Module - 3" (76)

DESCRIPTION:

1. Material: Aluminum core and extruded frame mounted in an extended panel.
2. Models 51EC45 and 51EC45-O Type PLS or PLA have been specially designed for high capacity (90% free area) return air applications and to integrate with and compliment standard exposed grid T-Bar suspended ceiling systems. The return grille or register is mechanically assembled and using a special frame captures the module sized panel, which eliminates welding and assures a clean smooth blemish free painted finish.
3. 1/2" x 1/2" x 1/2" (13 x 13 x 13) aluminum grid core is angled at 45° to prevent "see through" from three directions.
4. Sight resistant parallel to width/long dimension.
5. Optional roll-formed steel opposed blade damper has a screwdriver slot operator accessible through face of register.
6. Standard finish is AW Appliance White.

OPTIONS:

1. Finish:
 - SP Special _____ .
2. OA Aluminum opposed blade damper (model suffix).

SCHEDULE TYPE:		Dimensions are in inches (mm).			
PROJECT:					
ENGINEER:	DATE	B SERIES	SUPERSEDES	DRAWING NO.	
CONTRACTOR:	11 - 10 - 15	5100	NEW	51EC45-2	