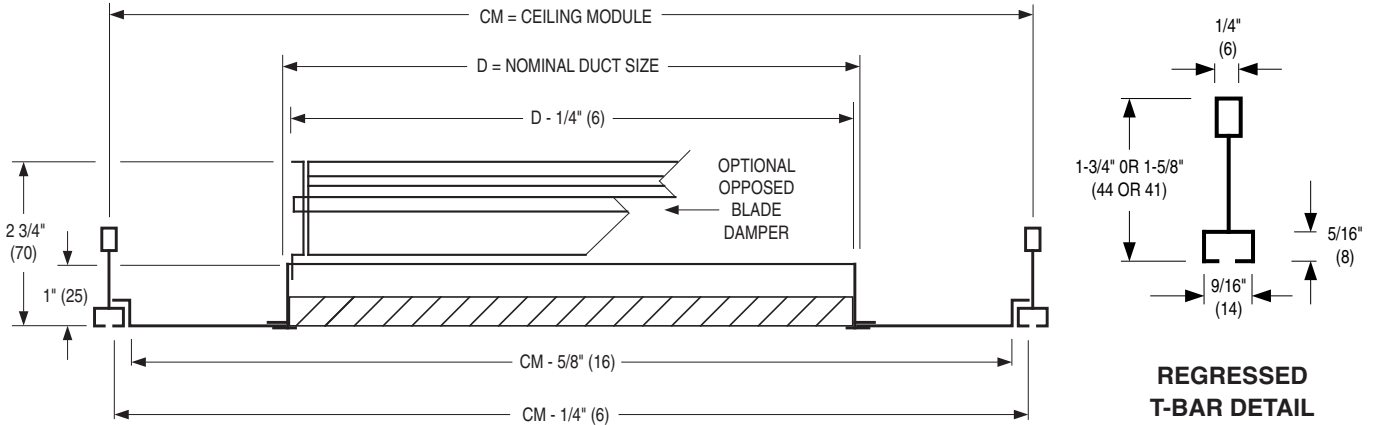




ALUMINUM EGGCRATE RETURN GRILLES & REGISTERS
 45° DEFLECTION • SIGHTPROOF
 PANEL MOUNTED • NARROW REGRESSED T-BAR
MODELS: 51EC45(-O) TYPE FPS OR FPA

FOR FINELINE® TYPE CEILING SYSTEMS



AVAILABLE CEILING MODULES (CM)			AVAILABLE DUCT/NECK SIZES
Imperial Modules		Metric Modules	
Imperial Units (inches)	S.I. Units (mm)	S.I. Units (mm)	
20 x 20	508 x 508	500 x 500	6" x 6" (152 x 152) up to 16" x 16" (406 x 406) in 2" (51) increments
24 x 24	610 x 610	600 x 600	6" x 6" (152 x 152) up to 20" x 20" (508 x 508) in 2" (51) increments

- MODEL 51EC45** Eggcrate Return Air Grille
 - Type FPS** Steel Panel
 - Type FPA** Aluminum Panel

- MODEL 51EC45-O** Eggcrate Return Air Register (Includes O. B. Damper)
 - Type FPS** Steel Panel
 - Type FPA** Aluminum Panel

DESCRIPTION:

1. Material: Aluminum core and extruded frame mounted in an extended panel.
2. Models 51EC45 and 51EC45-O Type FPS or FPA have been specially designed for high capacity (90% free area) return air applications and to integrate with and compliment regressed 'narrow-tee' type T-Bar suspended ceiling systems. The return grille or register is mechanically assembled and using a special frame captures the module sized panel, which eliminates welding and assures a clean smooth blemish free painted finish.
3. 1/2" x 1/2" x 1/2" (13 x 13 x 13) aluminum grid core is angled at 45° to prevent "see through" from three directions.
4. Sight resistant parallel to width/long dimension.
5. Optional roll-formed steel opposed blade damper has a screwdriver slot operator accessible through face of register.
6. Standard finish is AW Appliance White.

OPTIONS:

1. Finish:
 - SP Special _____ .
2. OA Aluminum opposed blade damper (model suffix).

Fineline® is a registered trademark of USG Interiors Inc.

SCHEDULE TYPE:		Dimensions are in inches (mm).			
PROJECT:					
ENGINEER:	DATE	B SERIES	SUPERSEDES	DRAWING NO.	
CONTRACTOR:	11 - 10 - 15	5100	NEW	51EC45-3	