



LINEAR SLOT DIFFUSER PLENUMS
ADAPTORS FOR MODEL SERIES 5000
LINEAR SLOT "ICE TONG" DIFFUSER • 5 - 8 SLOT
MODELS: 5350, 5375, 5310 AND 5315(MP)

5 THROUGH 8 SLOT

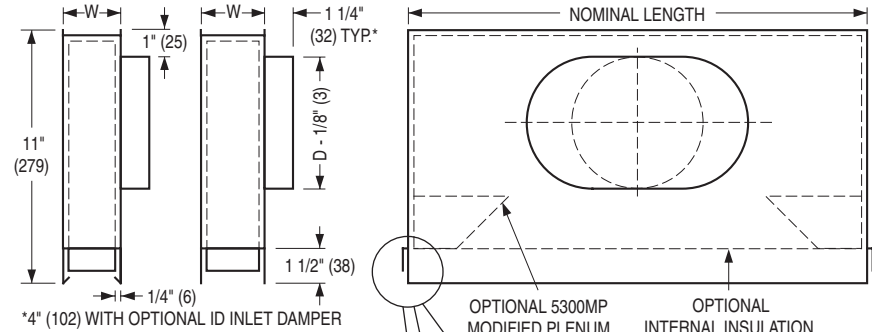
STANDARD MODELS:

- 5350** • 1/2" (13) Slot
- 5375** • 3/4" (19) Slot
- 5310** • 1" (25) Slot
- 5315** • 1 1/2" (38) Slot

MODIFIED PERFORMANCE MODELS:

- 5350MP** • 1/2" (13) Slot
- 5375MP** • 3/4" (19) Slot
- 5310MP** • 1" (25) Slot
- 5315MP** • 1 1/2" (38) Slot

Hemmed Leg Frame Types: C, D, J, N
Straight Leg Frame Types: A, B, E, F, FL, G, H, H2, KA, K1, K2, M, T



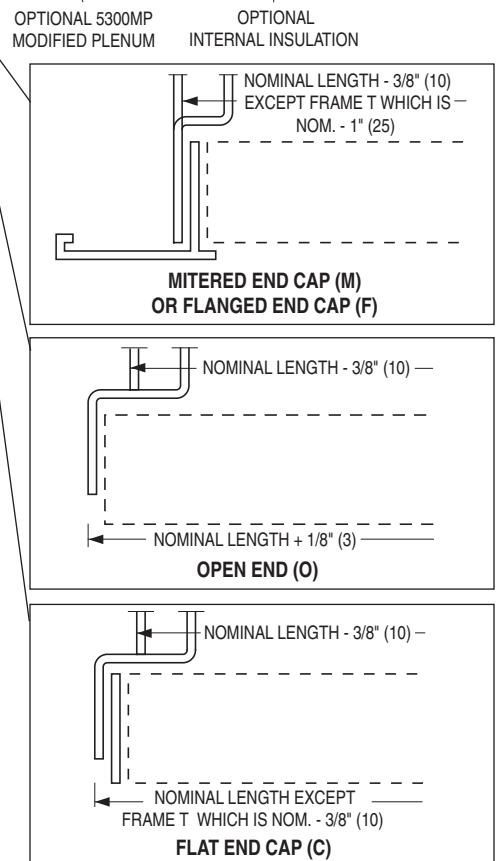
Nominal Length		Standard Nominal Inlets (D)	
inches	mm	inches	mm
20	508	4, 5, 6, 8, 10	102, 127, 152, 203, 254
24	610		
30	762		
36	914	6, 8, 10, 12, 14	152, 203, 254, 305, 356
48	1219		
60	1524		
72	1829		

Inlets 4" thru' 8" (102 thru 203) are round and 10" thru' 14" (254 thru 356) are flat oval.
 Equivalent oval: 10" (254) = 11" x 7 7/8" (279 x 200); 12" (305) = 14 1/8" x 7 7/8" (359 x 200);
 14" (356) = 17 5/16" x 7 7/8" (440 x 200).

Model	No. of Slots	Plenum Width (W) For Various Frame Types									
		Imperial Units (inches)					Metric Units (mm)				
		A, B, FL, KA, K1, K2, M, T	C, D, F, J, H, H2, N	E	G	A, B, FL, KA, K1, K2, M, T	C, D, F, J, H, H2, N	E	G		
5350	5	6 1/2	7	7 1/4	7 1/2	165	178	184	191		
5375		7 3/4	8 1/4	8 1/2	8 3/4	197	210	216	222		
5310		9	9 1/2	9 3/4	10	229	241	248	254		
5315		11 1/2	12	12 1/4	12 1/2	292	305	311	318		
5350	6	7 3/4	8 1/4	8 3/4	8 3/4	197	210	216	222		
5375		9 1/4	9 3/4	10	10 1/4	235	248	254	260		
5310		10 3/4	11 1/4	11 1/2	11 3/4	273	286	292	298		
5315		13 3/4	14 1/4	14 1/2	14 3/4	349	362	368	375		
5350	7	9	9 1/2	9 3/4	10	229	241	248	254		
5375		10 3/4	11 1/4	11 1/2	11 3/4	273	286	292	298		
5310		12 1/2	13	13 1/4	13 1/2	318	330	337	343		
5315		16	16 1/2	16 3/4	17	406	419	425	432		
5350	8	10 1/4	10 3/4	11	11 1/4	260	273	279	286		
5375		12 1/4	12 3/4	13	13 1/4	311	324	330	337		
5310		14 1/4	14 3/4	15	15 1/4	362	375	381	387		
5315		18 1/4	18 3/4	19	19 1/4	464	476	483	489		

NOTES:

- Construction: Corrosion-resistant steel.
- Nailor Series 5300 Plenums are designed specifically for field attachment to the 5000 Series Linear Slot Diffuser. They ensure optimum use of the 5000 Series VAV performance, providing a tight horizontal air pattern even at low volumes. Optional MP models incorporate integral baffles, which provide a reduction in throw and increased spread of the air pattern.
- End caps can be turned up to allow plenums to be installed on continuous runs. Simple installation with a flexible duct connection.



ACCESSORIES (OPTIONAL):

- 1a. Internal Insulation:
 - 5350I(MP) 1/2" (13) slot.
 - 5375I(MP) 3/4" (19) slot.
 - 5310I(MP) 1" (25) slot.
 - 5315I(MP) 1 1/2" (38) slot.
 - 1b. FGI 1/4" (6) coated fiberglass.
 - FFI 3/8" (10) fiber-free foam.
 2. EX External Foil Back Insulation
 3. ID Inlet Damper w/HLQ
 4. NI No Inlet
- Dimensions are in inches (mm).

SCHEDULE TYPE:			
PROJECT:			
ENGINEER:			
CONTRACTOR:			
DATE	B SERIES	SUPERSEDES	DRAWING NO.
12 - 23 - 19	5300	9 - 6 - 17	5300-2