



**PLENUMS FOR 5075TZ SERIES
LINEAR SLOT "ICE TONG" DIFFUSERS
FOR TECHZONE™ TYPE CEILINGS
MODEL: 5375TZ (MP) WITH IDCO OPTION**

STANDARD MODEL:

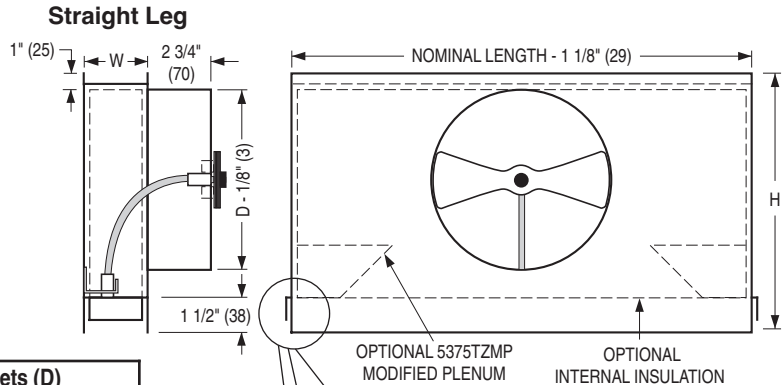
5375TZ • 3/4" (19) Slot

MODIFIED PERFORMANCE MODEL:

5375TZMP • 3/4" (19) Slot

DIFFUSER FRAME TYPE:

- L • Lay-In T-Bar
- TL • Tegular T-Bar
- NT • Narrow T-Bar Lay-in



Nominal Length		Standard Nominal Inlets (D)	
inches	mm	inches	mm
24	610		
30	762	6, 8, 10	152, 203, 254
36	914		
48	1219		
60	1524	6, 8, 10, 12, 14	152, 203, 254, 305, 356
72	1829		

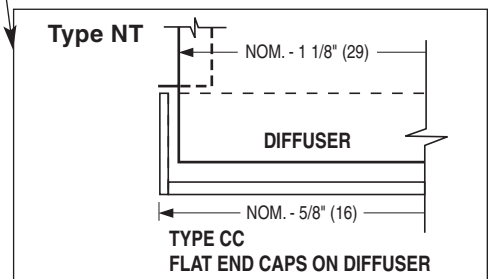
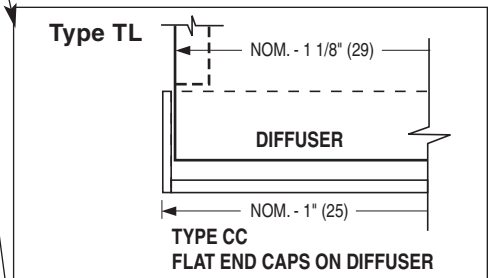
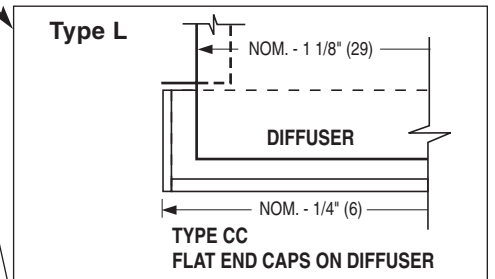
Plenum		Inlet Type / Size D (Round)
Code	Height	
H11	11" (279)	6" (152), 8" (203)
H13	13" (330)	10" (254)
H15	15" (381)	12" (305)
H17	17" (432)	14" (356)

No. of Slots	Plenum Width (W) For Various Frame Types			
	Imperial Units (inches)		Metric Units (mm)	
	L, NT	TL	L, NT	TL
1	1 1/2	1 1/2	38	38
2	2 3/4	2 3/4	70	70
3	4	4	102	102
4	5 1/4	N/A	133	N/A

NOTES:

- Construction: Corrosion-resistant steel.
- Nailor Series 5375TZ Plenums are designed specifically for field attachment to the 5075TZ Series Linear Slot Diffuser. They ensure optimum use of the 5075TZ Series VAV performance, providing a tight horizontal air pattern even at low volumes. Optional MP models incorporate integral baffles, which provide a reduction in throw and increased spread of the air pattern.
- End caps can be turned up and field trimmed as necessary to fit diffuser length and provide a blank-off to reduce air leakage at end of diffuser.
- Frame Type 'TL' is available in 1 thru 3 slot only.
- IDCO Cable operated damper is available with round inlets 06, 08, 10R, 12R and 14R only.

The round inlet damper is Nailor's 4250 radial sliding blade design factory mounted on the inlet. 5375: Flexible rotary cable with male square rotary end and nylon cable clamp adjusts with a 1/4" (6) hex nut driver. Cable is threaded through diffuser face during installation for balancing and pushed back in afterwards.



ACCESSORIES (OPTIONAL):

- Internal Insulation.
5375TZI(MP) 3/4" (19) Slot
- EX External Foil Back Insulation

Dimensions are in inches (mm).

SCHEDULE TYPE:	
PROJECT:	
ENGINEER:	
CONTRACTOR:	

DATE	B SERIES	SUPERSEDES	DRAWING NO.
8 - 16 - 16	5300	NEW	5375TZ-2