



LIGHT TROFFER DIFFUSER
RETURN • SINGLE SIDE
MODEL SERIES: 5410R

DESCRIPTION:

- Standard design is for use with flush slot type light troffers and fits most models.
- Custom fabrication available to suit individual light troffer designs.
- For non-ducted plenum return applications.
- Effectively blocks light leakage from the ceiling space.
- Optional air volume damper/controller. Adjustable through light fixture slot opening for return air balancing.
- Option available for regressed slot light troffers.

STANDARD CONSTRUCTION:

MATERIAL: 22 ga. corrosion-resistant steel.

FINISH: BK Black on exposed surfaces.

SPECIFY:

'A' dimension (if non-standard) _____ .

OPTIONS:

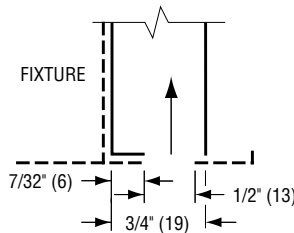
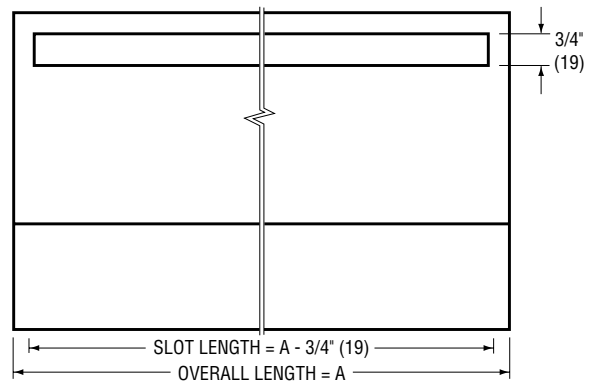
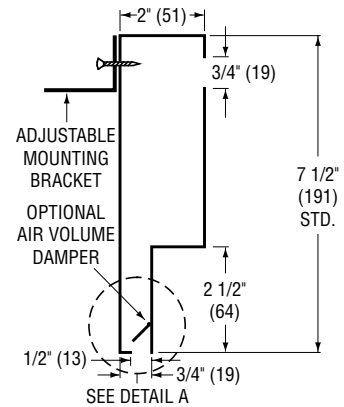
- IN Internal insulation
- EX External foil back insulation
- RS Regressed slot light fixture
- ID Inlet Damper

SPECIAL FEATURES:

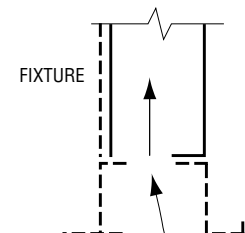
Specify _____ .

NOTE:

The light troffer manufacturer should provide an approved fully dimensioned drawing to ensure compatibility. In some cases, a sample light fixture will be required to be sent to the factory.



DETAIL A



STANDARD MODEL

REGRESSED SLOT OPTION
(Horizontal lip reversed)

STANDARD DIMENSIONAL DATA:

TROFFER SIZE (CEILING MODULE)			
IMPERIAL MODULES (INCHES)		METRIC MODULES (MM)	
FIXTURE SIZE W	A	FIXTURE SIZE W	A
24	17 1/2	600	445
36	25 3/4	900	654
48	41 1/2	1200	1054
60	49 3/4	1500	1264

SCHEDULE TYPE:	
PROJECT:	
ENGINEER:	
CONTRACTOR:	

Dimensions are in inches (mm).

DATE	B SERIES	SUPERSEDES	DRAWING NO.
3 - 8 - 00R	5400	5400-1/5-89	5400-3