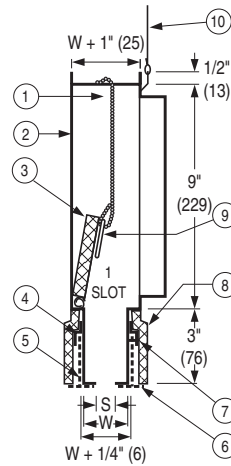
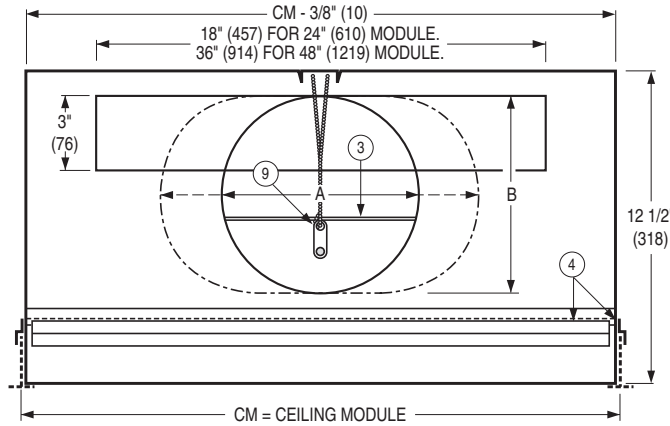
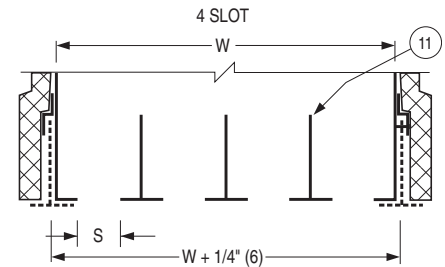
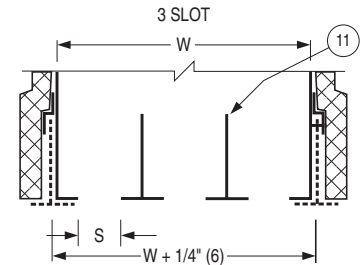
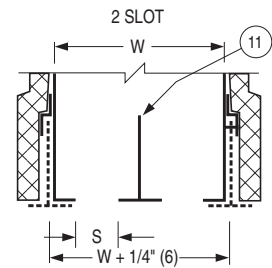




**FIRE RATED PLENUM SLOT RETURN
DIFFUSER**
3 HR. RATING
MODELS: 5550R, 5575R, 5510R, 5515R



- MODEL 5550R**
1/2" (13) Slot width
- MODEL 5575R**
3/4" (19) Slot width
- MODEL 5510R**
1" (25) Slot width
- MODEL 5515R**
1 1/2" (38) Slot width



DESCRIPTION:

1. The 5500 Series is a UL Classified fire rated Air Terminal Unit listed in Underwriters Laboratories Fire Resistance Directory. All diffusers are classified for use in UL/ULC restrained or unrestrained floor/ceiling and or roof/ceiling assemblies which incorporate an exposed grid suspended ceiling (lay-in T-bar) with up to a 3 hour rating. For details of fire rated assemblies, see the current UL or ULC Fire Resistance Directory.
2. Construction: Corrosion resistant steel. 212°F (100°C) fusible link is standard.
3. Finish: Black exposed surfaces. AW Appliance White on center T-Bars.
4. The Series 5500R is a good choice for use in fire rated T-Bar ceiling assemblies to compliment the Series 5500 supply models.
5. Standard nominal lengths: 20", 24", 36", 48" and 60" (500, 600, 900, 1200 and 1500). Supplied with a rectangular opening as standard for ductless return applications. Optional inlet sizes: 5", 6", 7", 8" (127, 152, 178, 203) are round. Oval sizes are 9", 10" and 12" (229, 254 and 305).

* For installation instructions, see IOM-FRPINST.

ITEMS:

1. Fusible link damper support chain.
2. Diffuser casing.
3. Insulated, hinged damper blade.
4. Clip for ceiling grid member – 4 sides.
5. Existing grid member.
6. Supplementary ceiling grid member. UL Listed (optional or by others).
7. #8 screws for grid member attachment.
8. Thermal shroud.
9. UL Listed fusible link (replaceable).
10. Hanger wire at casing mid-point.

11. Intermediate grid bars supplied and installed by factory.

OPTIONS:

1. Non-standard temperature U.L. Listed fusible link.
 - 165 165°F (74°C)
2. ID Inlet Damper
3. EX External Foil Back Insulation.
4. Supplementary ceiling grid (T-Bar) member (UL Listed).
 - T1 One (inlet side).
 - T0 One (opposite inlet side).

		S (Slot Width)			
		1/2" (13)	3/4" (19)	1" (25)	1 1/2" (38)
W (Width)	1 slot	1 1/2" (38)	1 3/4" (44)	2" (51)	2 1/2" (64)
	2 slot	3" (76)	3 1/2" (89)	4" (102)	5" (127)
	3 slot	4 1/2" (114)	5 1/4" (133)	6" (152)	7 1/2" (191)
	4 slot	6" (152)	7" (178)	8" (203)	N/A

	Nominal Inlet Size			
	6" (152) Round	8" (203) Round	10" (254) Oval	12" (305) Oval
A	5 7/8" (149)	7 7/8" (200)	11" (279)	14 1/8" (359)
B	-	-	7 7/8" (200)	7 7/8" (200)

SCHEDULE TYPE:

PROJECT:

ENGINEER:

CONTRACTOR:

Dimensions are in inches (mm).

DATE	B SERIES	SUPERSEDES	DRAWING NO.
1 - 16 - 17	5500	11 - 11 - 15	5500-4