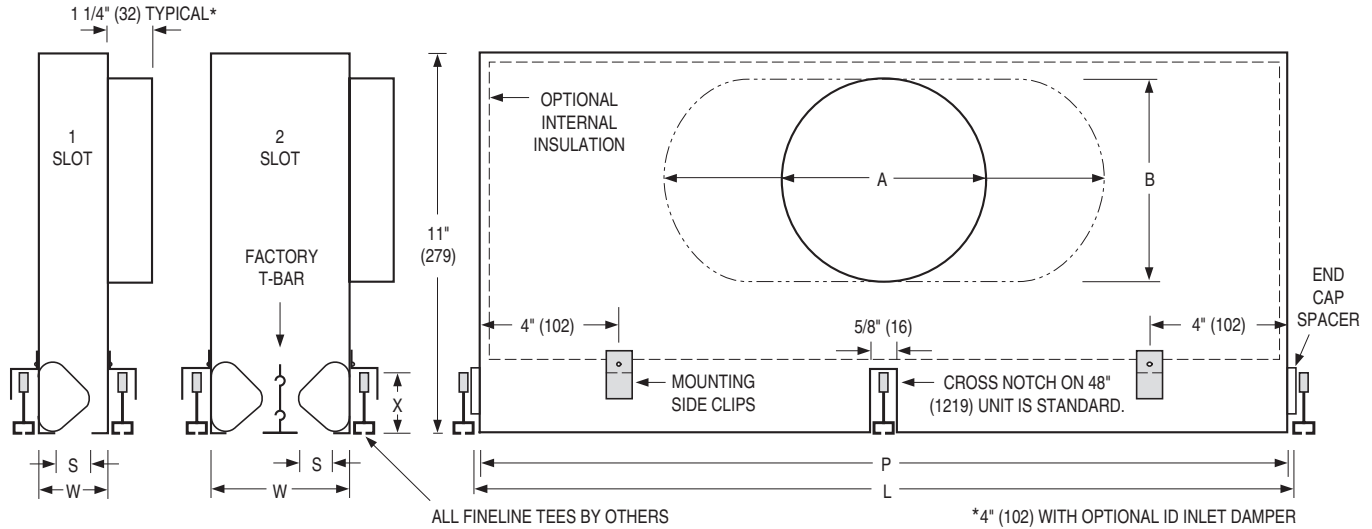




**PLENUM SLOT DIFFUSER
FOR NARROW REGRESSED T-BAR CEILING SYSTEMS
"FLIP-FLOP" PATTERN CONTROLLERS
MODELS: 5675-F2 AND 5610-F2**



DESCRIPTION:

1. The 5600-F2 Series is a flexible, high performance plenum slot diffuser and an excellent choice for VAV applications.

2. The 5600-F2 Series has been especially developed to integrate with and complement 'Fineline[®]' type suspended ceiling grids.

Available in 24" (600) or 48" (1200) nominal lengths to suit both imperial and metric ceiling grids. A choice of two slot widths and one, two, three or four slot configurations are available.

The single slot units are for installation alongside an existing main T-Bar runner. Multi-slot units incorporate factory installed 1" (25) flat face T-bars.

3. The 5600-F2 Series features a roll-formed curved blade pattern controller in each slot. Aerodynamically designed to produce a fixed horizontal discharge pattern, the controller is pivoted at either end and may be simply rotated with fingers from the diffuser face for either a left or right discharge direction. In either horizontal discharge setting, the coanda effect is maximized and a tight blanket of air is projected across the ceiling. The horizontal pattern is maintained throughout a wide range of cataloged air volumes from maximum to minimum flow. Factory furnished center tees are dropped below diffuser face to match the ceiling grid. They are an excellent choice for VAV applications.

- 4. Material: Corrosion resistant steel.
- 5. Finish: AW Appliance White on T-Bars.
BK Black pattern controllers and exposed surfaces.

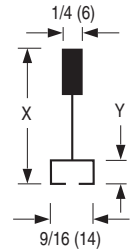
SPECIFIED T-BAR: A C D

OPTIONS:

- 1. EX External Foil Back Insulation
- 2. Internal Insulation
 - a. Model 5675I-F2 Model 5610I-F2
 - b. FGI 1/4" (6) Coated Fiberglass (standard)
 FFI 3/8" (10) Fiber-free foam
- 3. ID Inlet Damper
- 4. CN Cross Notch. For 48" (1219) nominal length diffusers. The vast majority of ceiling systems utilize a 2' x 2' (610 x 610) grid and require this option.
 No Cross Notch on 48" (1219) units.

Imperial Ceiling Modules (inches)

Nominal Length	Overall Length L	Plenum Length P
24	23 3/4	23 3/8
48	47 3/4	47 3/8



Metric Ceiling Modules (mm)

Nominal Length	Overall Length L	Plenum Length P
600	594	584
1200	1194	1184

Model	S Slot Width	Width W			
		1 Slot	2 Slot	3 Slot	4 Slot
5675-F2	3/4" (19)	1 3/4" (44)	3 1/2" (89)	5 1/4" (133)	7" (178)
5610-F2	1" (25)	2" (51)	4" (102)	6" (152)	8" (203)

T-Bar Type (Manufacturer)	X	Y
A Chicago Metallic Ultraline	1 3/4" (44)	5/16" (8)
C Certainteed Smoothline	1 5/8" (41)	5/16" (8)
D Donn Fineline	1 25/32" (45)	5/16" (8)

	Nominal Inlet Size			
	6" (152) Round	8" (203) Round	10" (254) Oval	12" (305) Oval
A	5 7/8" (149)	7 7/8" (200)	11" (279)	14 1/8" (359)
B	—	—	7 7/8" (200)	7 7/8" (200)

Fineline[®] is a registered trademark of USG Interiors Inc.

SCHEDULE TYPE:	Dimensions are in inches (mm).			
PROJECT:				
ENGINEER:	DATE	B SERIES	SUPERSEDES	DRAWING NO.
CONTRACTOR:	1 - 26 - 21	5600	NEW	5600-F3