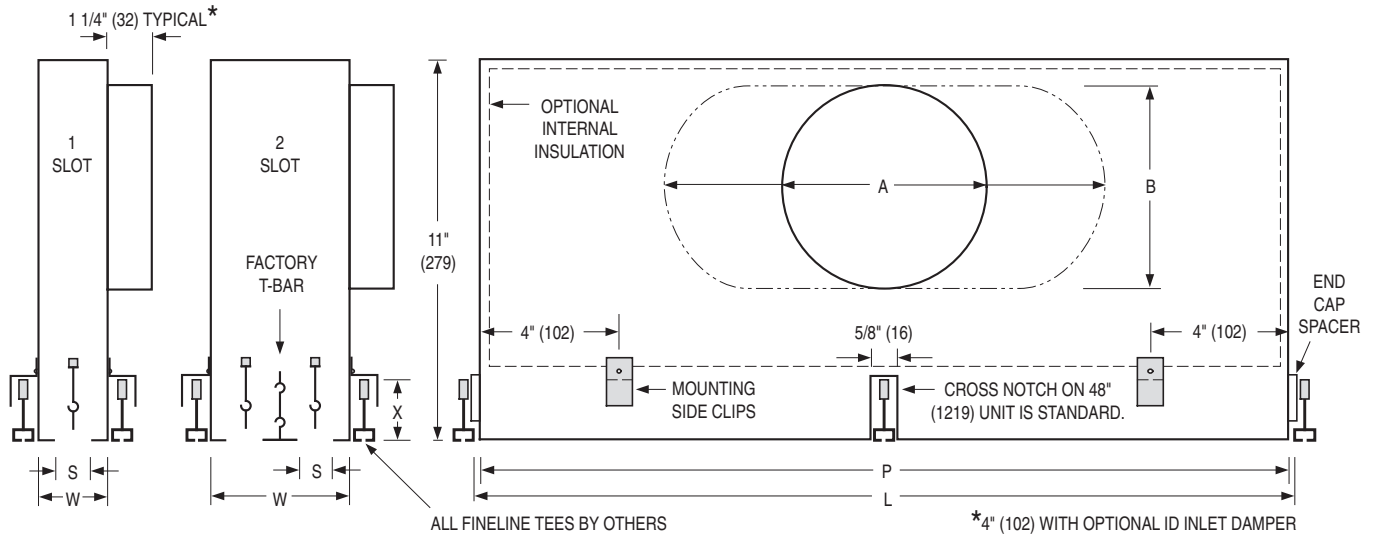




**PLENUM SLOT DIFFUSER
FOR NARROW REGRESSED T-BAR CEILING SYSTEMS
ADJUSTABLE PATTERN CONTROLLERS
MODELS: 5775-F2, 5710-F2 AND 5715-F2**



DESCRIPTION:

1. The 5700-F2 Series is a flexible, high performance plenum slot diffuser and an excellent choice for VAV applications.

2. The 5700-F2 Series has been especially developed to integrate with and complement 'Fineline®' type suspended ceiling grids.

Available in 24" (600) or 48" (1200) nominal lengths to suit both imperial and metric ceiling grids. A choice of three slot widths and one, two, three or four slot configurations are available.

The single slot units are for installation alongside an existing main T-Bar runner. Multi-slot units incorporate factory installed 1" (25) flat face T-bars.

3. The 5700-F2 Series incorporates an extruded aluminum adjustable pattern controller. The direction of airflow is adjustable from the face through a full 180°. The controller incorporates a soft gasket seal that seats against the inside of the plenum casing or factory supplied T-Bar in the horizontal setting, ensuring a tight projection of air across the ceiling from maximum to minimum flow rates. The pattern controller can also be set for vertical airflow.

4. Pattern controller is split mid-way on 48" (1219) units and allows a 2-way opposite blow pattern from a single slot.

5. Material: Corrosion resistant steel.

6. Finish: AW Appliance White on T-Bars.
BK Black pattern controllers and exposed surfaces.

SPECIFIED T-BAR: A C D

OPTIONS:

- 1. EX External Foil Back Insulation
- 2. Internal Insulation
 - a. Model 5775I-F2 Model 5710I-F2 Model 5715I-F2
 - b. FGI 1/4" (6) Coated Fiberglass (standard)
 - FFI 3/8" (10) Fiber-free foam
- 3. ID Inlet Damper
- 4. CN Cross Notch. For 48" (1219) nominal length diffusers. The vast majority of ceiling systems utilize a 2' x 2' (610 x 610) grid and require this option.
 - No Cross Notch on 48" (1219) units.

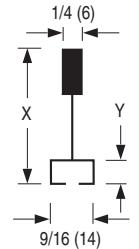
Fineline® is a registered trademark of USG Interiors Inc.

Imperial Ceiling Modules (inches)

Nominal Length	Overall Length L	Plenum Length P
24	23 3/4	23 3/8
48	47 3/4	47 3/8

Metric Ceiling Modules (mm)

Nominal Length	Overall Length L	Plenum Length P
600	594	584
1200	1194	1184



Model	S Slot Width	Width W			
		1 Slot	2 Slot	3 Slot	4 Slot
5775-F2	3/4" (19)	1 3/4" (44)	3 1/2" (89)	5 1/4" (133)	7" (178)
5710-F2	1" (25)	2" (51)	4" (102)	6" (152)	8" (203)
5715-F2	1 1/2" (38)	2 1/2" (64)	5" (127)	7 1/2" (191)	10" (254)

T-Bar Type (Manufacturer)	X	Y
A Chicago Metallic Ultraline	1 3/4" (44)	5/16" (8)
C Certainteed Smoothline	1 5/8" (41)	5/16" (8)
D Donn Fineline	1 25/32" (45)	5/16" (8)

	Nominal Inlet Size			
	6" (152) Round	8" (203) Round	10" (254) Oval	12" (305) Oval
A	5 7/8" (149)	7 7/8" (200)	11" (279)	14 1/8" (359)
B	—	—	7 7/8" (200)	7 7/8" (200)

SCHEDULE TYPE:

PROJECT:

ENGINEER:

CONTRACTOR:

Dimensions are in inches (mm).

DATE	B SERIES	SUPERSEDES	DRAWING NO.
3 - 1 - 16	5700	8 - 1 - 15	5700-F3