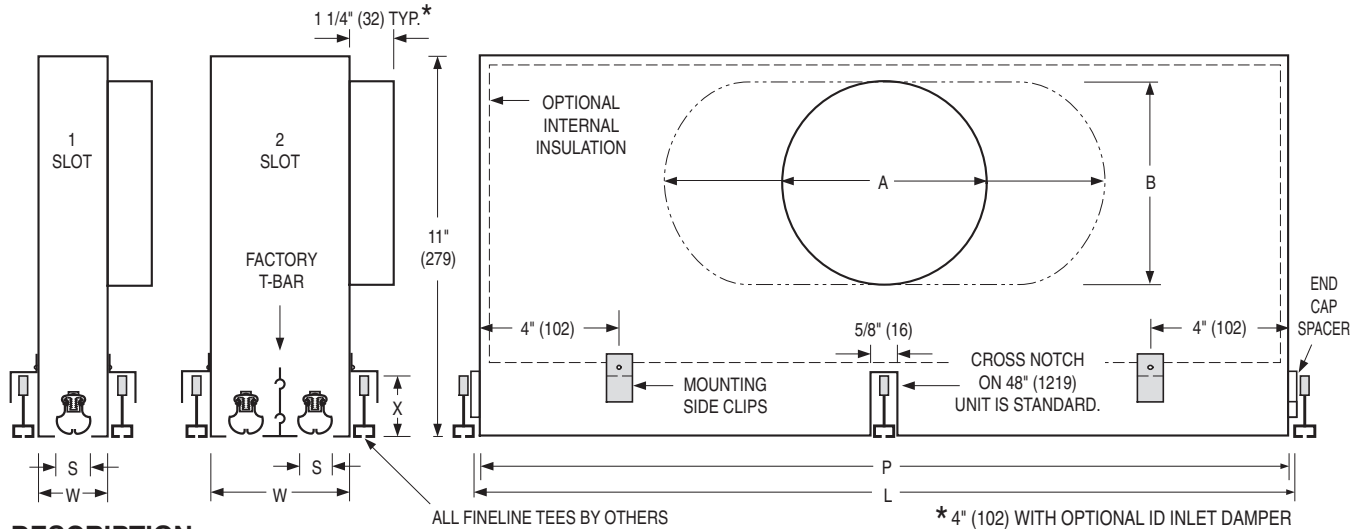




**PLENUM SLOT DIFFUSER
FOR NARROW REGRESSED T-BAR CEILING SYSTEMS
"ICE TONG" PATTERN CONTROLLERS
MODELS: 5850-F2, 5875-F2 AND 5810-F2**



DESCRIPTION:

1. The 5800-F2 Series is a flexible, high performance plenum slot diffuser and an excellent choice for VAV applications.
2. The 5800-F2 Series has been especially developed to integrate with and complement 'Fineline®' type suspended ceiling grids. Available in 24" (600) or 48" (1200) nominal lengths to suit both imperial and metric ceiling grids. A choice of three slot widths and one, two, three or four slot configurations are available. The single slot units are for installation alongside an existing main T-Bar runner. Multi-slot units incorporate factory installed 1" (25) flat face T-bars.
3. The 5800 Series features the same 'ice-tong' pattern controller as used in the 5000 Series Linear Slot Diffuser, providing total flexibility in all applications. The direction of airflow is adjustable through a full 180° from the face of the diffuser and pattern controllers may also be adjusted for volume control. In the horizontal discharge setting, the coanda effect is maximized and a tight blanket of air is projected across the ceiling. The horizontal pattern is maintained throughout a wide range of cataloged air volumes from maximum to minimum flow. They offer the discerning engineer and architect premium quality construction and design features, making them an excellent choice for VAV applications.
4. Pattern controller is split mid-way on 48" (1219) units and allows a 2-way opposite blow pattern from a single slot.
5. Material: Corrosion resistant steel.
6. Finish: AW Appliance White on center T-Bars.
BK Black pattern controllers and exposed surfaces.

SPECIFIED T-BAR: A C D

OPTIONS:

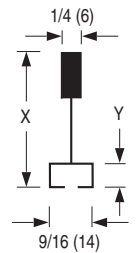
1. EX External Foil Back Insulation
2. Internal Insulation
 - a. Model 5850I-F2 Model 5875I-F2 Model 5810I-F2
 - b. FGI 1/4" (6) Coated Fiberglass (standard)
 FFI 3/8" (10) Fiber-free foam
3. ID Inlet Damper
4. CN Cross Notch. For 48" (1219) nominal length diffusers. The vast majority of ceiling systems utilize a 2' x 2' (610 x 610) grid and require this option.
 No Cross Notch on 48" (1219) units.

Imperial Ceiling Modules (inches)

Nominal Length	Overall Length L	Plenum Length P
24	23 3/4	23 3/8
48	47 3/4	47 3/8

Metric Ceiling Modules (mm)

Nominal Length	Overall Length L	Plenum Length P
600	594	584
1200	1194	1184



Model	S Slot Width	Width W			
		1 Slot	2 Slot	3 Slot	4 Slot
5850-F2	1/2" (13)	1 1/2" (38)	3" (76)	4 1/2" (114)	6" (152)
5875-F2	3/4" (19)	1 3/4" (44)	3 1/2" (89)	5 1/4" (133)	7" (178)
5810-F2	1" (25)	2" (51)	4" (102)	6" (152)	8" (203)

T-Bar Type (Manufacturer)	X	Y
A Chicago Metallic Ultraline	1 3/4" (44)	5/16" (8)
C Certainteed Smoothline	1 5/8" (41)	5/16" (8)
D Donn Fineline	1 25/32" (45)	5/16" (8)

	Nominal Inlet Size			
	6" (152) Round	8" (203) Round	10" (254) Oval	12" (305) Oval
A	5 7/8" (149)	7 7/8" (200)	11" (279)	14 1/8" (359)
B	—	—	7 7/8" (200)	7 7/8" (200)

SCHEDULE TYPE:	Fineline® is a registered trademark of USG Interiors Inc.			
PROJECT:	Dimensions are in inches (mm).			
ENGINEER:	DATE	B SERIES	SUPERSEDES	DRAWING NO.
CONTRACTOR:	3 - 1 - 16	5800	8 - 1 - 15	5800-F3