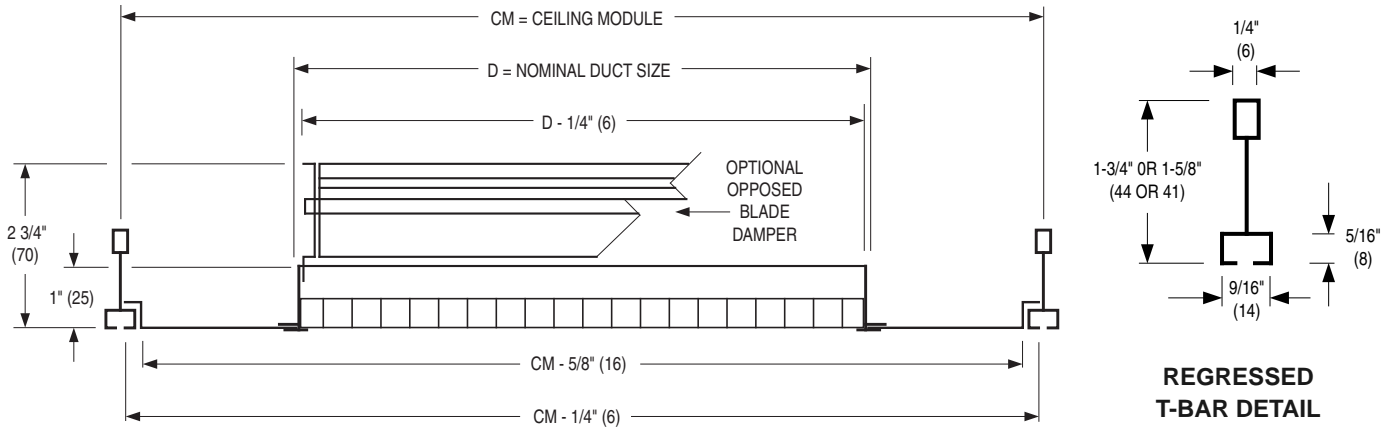




EGGCRATE RETURN GRILLES & REGISTERS
 ALUMINUM CORE • STEEL FRAME
 PANEL MOUNTED • NARROW REGRESSED T-BAR
MODELS: 61EC(-O) TYPE FPS

FOR FINELINE® TYPE CEILING SYSTEMS



AVAILABLE CEILING MODULES (CM)			AVAILABLE DUCT/NECK SIZES
Imperial Modules		Metric Modules	
Imperial Units (inches)	S.I. Units (mm)	S.I. Units (mm)	
20 x 20	508 x 508	500 x 500	6" x 6" (152 x 152) up to 16" x 16" (406 x 406) in 2" (51) increments
24 x 24	610 x 610	600 x 600	6" x 6" (152 x 152) up to 20" x 20" (508 x 508) in 2" (51) increments

- MODEL 61EC** Eggcrate Return Air Grille
Type FPS Steel Panel
- MODEL 61EC-O** Eggcrate Return Air Register
(Includes O. B. Damper)
Type FPS Steel Panel

DESCRIPTION:

- Material: Aluminum core with a corrosion-resistant steel frame mounted in an extended panel.
- Models 61EC and 61EC-O Type FPS have been specially designed for high capacity (90% free area) return air applications and to integrate with and compliment regressed 'narrow-tee' type T-Bar suspended ceiling systems. The return grille or register is mechanically assembled and using a special frame captures the module sized panel, which eliminates welding and assures a clean smooth blemish free painted finish.
- 1/2" x 1/2" x 1/2" (13 x 13 x 13) aluminum grid core standard (code CA).
- Optional roll-formed steel opposed blade damper has a screwdriver slot operator accessible through face of register.
- Standard finish is AW Appliance White.

OPTIONS:

- Finish:
 - SP Special _____ .
- Non-standard core:
 - CB 1/2" x 1/2" x 1" (13 x 13 x 25)
 - CC 1" x 1" x 1" (25 x 25 x 25)

Fineline® is a registered trademark of USG Interiors Inc.

SCHEDULE TYPE:		Dimensions are in inches (mm).			
PROJECT:					
ENGINEER:	DATE	B SERIES	SUPERSEDES	DRAWING NO.	
CONTRACTOR:	2 - 1 - 11	6100	6100-4D/4-10-00	61EC-4	