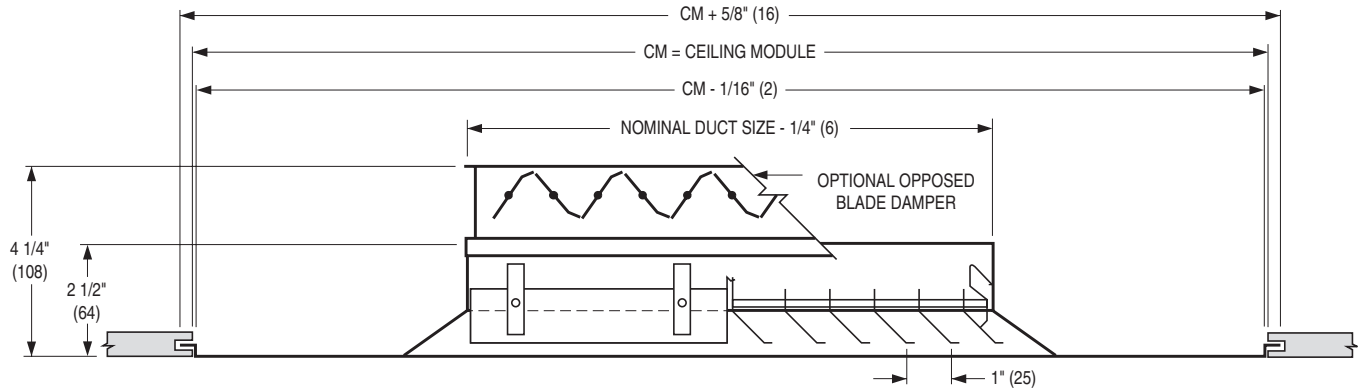




MODULAR CORE CEILING DIFFUSER
 1, 2, 3 OR 4-WAY ADJUSTABLE DISCHARGE
 PATTERN • SQUARE NECK • ALUMINUM
 MODELS: 7200 AND 7200-O TYPE SP

TYPE SP SPLINE



If the ceiling module is more than 3" (76) larger than the neck size of the diffuser, a steel, module sized extended panel will be added. Spline type diffuser for one-directional exposed T-bar Lay-in grid or for concealed T-bar grid. (Splines on two opposite sides. Steel lift brackets on the other two sides).

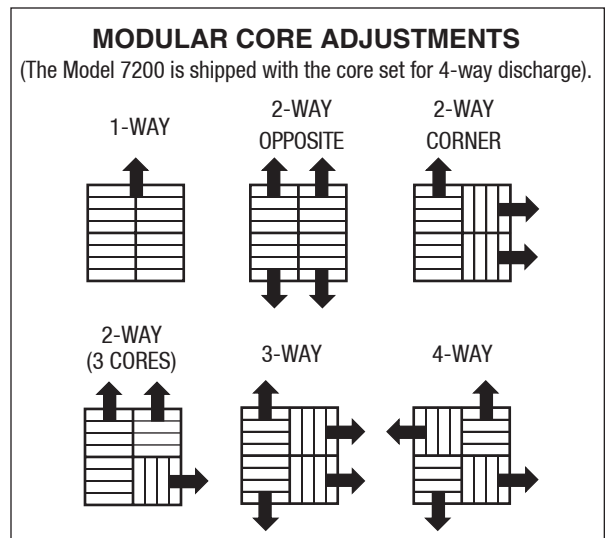
| Ceiling Module CM | | | Available Duct Sizes | | |
|-------------------------|---------------|----------------|----------------------|---------------------|---------------------|
| Imperial Modules | | Metric Modules | | | |
| Imperial Units (inches) | SI Units (mm) | SI Units (mm) | | | |
| 12 x 12 | 305 x 305 | 300 x 300 | 6 x 6 (152 x 152) | 8 x 8 (203 x 203) | |
| 24 x 12 | 610 x 305 | 600 x 300 | | | |
| 24 x 24 | 610 x 610 | 600 x 600 | 6 x 6 (152 x 152) | 12 x 12 (305 x 305) | 16 x 16 (406 x 406) |
| | | | 8 x 8 (203 x 203) | 14 x 14 (356 x 356) | 18 x 18 (457 x 457) |
| | | | 10 x 10 (254 x 254) | | |

DESCRIPTION:

1. Material: Aluminum. Extended panel where required is corrosion-resistant steel.
2. Model 7200 is a versatile ceiling diffuser. It consists of four spring loaded modular cores that may be simply adjusted by rotating each module after installation to provide a 1, 2, 3 or 4-way blow pattern. A tight horizontal air pattern from maximum to minimum flow makes it ideal for VAV applications.
3. Standard finish is AW Appliance White.

OPTIONS:

- PLA Aluminum Extended Panel
- SQUARE NECK**
- Steel opposed blade damper - Model 7200-O
 - Aluminum opposed blade damper - Model 7200-OA
- ROUND NECK**
- SQR Square to round transition collar
 - SQR-O Square to round transition collar for use over opposed blade damper. — round neck size (inches)
 - 4275 Radial damper
 - 4250 Radial sliding blade damper
 - 4675 Butterfly damper
- OPTIONAL FINISH:**
- SP Special. Specify _____.



| | | | | | |
|-----------------------|-------------|--------------------------------|-------------------|--------------------|--|
| SCHEDULE TYPE: | | Dimensions are in inches (mm). | | | |
| PROJECT: | | | | | |
| ENGINEER: | DATE | B SERIES | SUPERSEDES | DRAWING NO. | |
| CONTRACTOR: | 9 - 8 - 21 | 7200 | 3 - 1 - 16 | 7200-3A | |