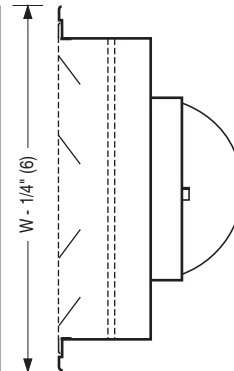
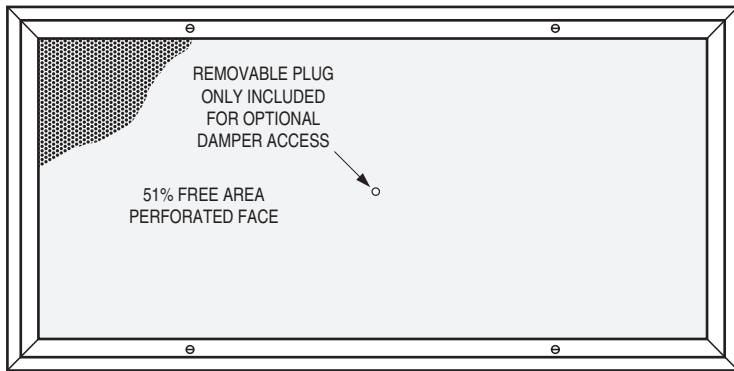
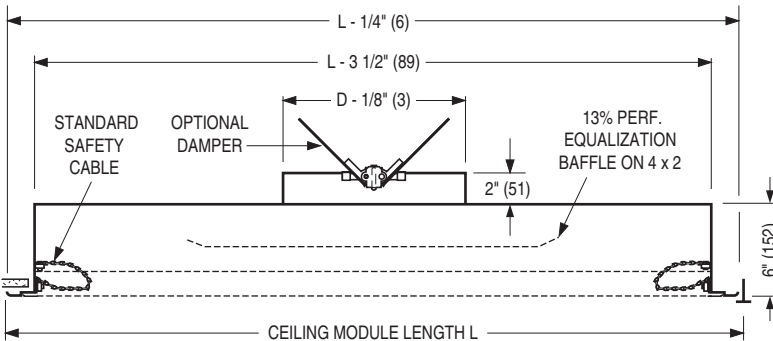
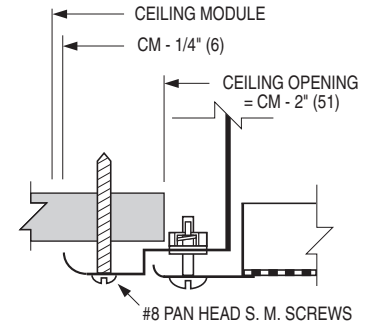




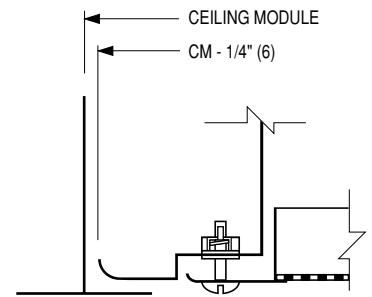
RADIAL PATTERN DIFFUSER
STEEL • FLUSH FACE
MODELS: 92FRP-1 90° PATTERN
92FRP-2 180° PATTERN



TYPE S Surface Mount Detail



TYPE L* Lay-in T-Bar Detail



Note: 92FRP-2 pattern controllers illustrated.

Ceiling Module Sizes L x W & Nominal Round Duct Sizes D

L x W	Imperial Modules (inches)		24 x 24	48 x 24
	Metric Modules (mm)		600 x 600	1200 x 600
D	Duct Size	(inches)	8, 10	10, 12
		(mm)	203, 254	254, 305

DESCRIPTION:

The Model 92FRP Series has been designed to produce a radial air pattern utilizing a non-intrusive flush perforated face design. The 92FRP-1 produces a one-way 90° pattern. The 92FRP-2 produces a hemispherical 180° pattern. Suitable for pharmaceutical manufacturing, biotechnology research, animal labs, food processing and other clean applications where high airflows with short throws are required.

The design features solid baffles behind a 51% free area perforated face, which maximizes capacity while allowing low initial face velocities. The radial air pattern flushes the critical area underneath the diffuser with large volumes of clean conditioned air, minimizing entrainment and hence mixing with contaminated air.

*Compatible with all T-Bars up to 2" (51) wide.

CONSTRUCTION:

1. Extruded aluminum frame and steel perforated face with 3/16" (5) dia. holes on 1/4" (6) staggered centers (51% free area). The face plate is removable for cleaning and is secured by 1/4 turn fasteners.
2. Corrosion resistant steel backpan and pattern controllers.
3. Standard safety cables prevent accidental dropping of removable face.
4. Standard finish is AW Appliance White. BA Appliance White Face/Black backpan and other finishes are available.

OPTIONS:

- BD Butterfly damper, coated steel, AW Appliance White finish.
- EX05 0.5" (13) External Foil-Back Fiberglass Insulation.
- EX15 1.5" (38) External Foil-Back Fiberglass Insulation, R-4.2.
- Other _____.

ACCESSORIES:

- DFA Aluminum Drywall/Plaster Frame. Provides simple easy installation of Type L in hard ceilings. (See submittal dwg. ACC-DFA). Ordered separately.

SCHEDULE TYPE:

PROJECT:

ENGINEER:

CONTRACTOR:

Dimensions are in inches (mm).

DATE

B SERIES

SUPERSEDES

DRAWING NO.

5 - 11 - 22

9200

10 - 29 - 15

92FRP