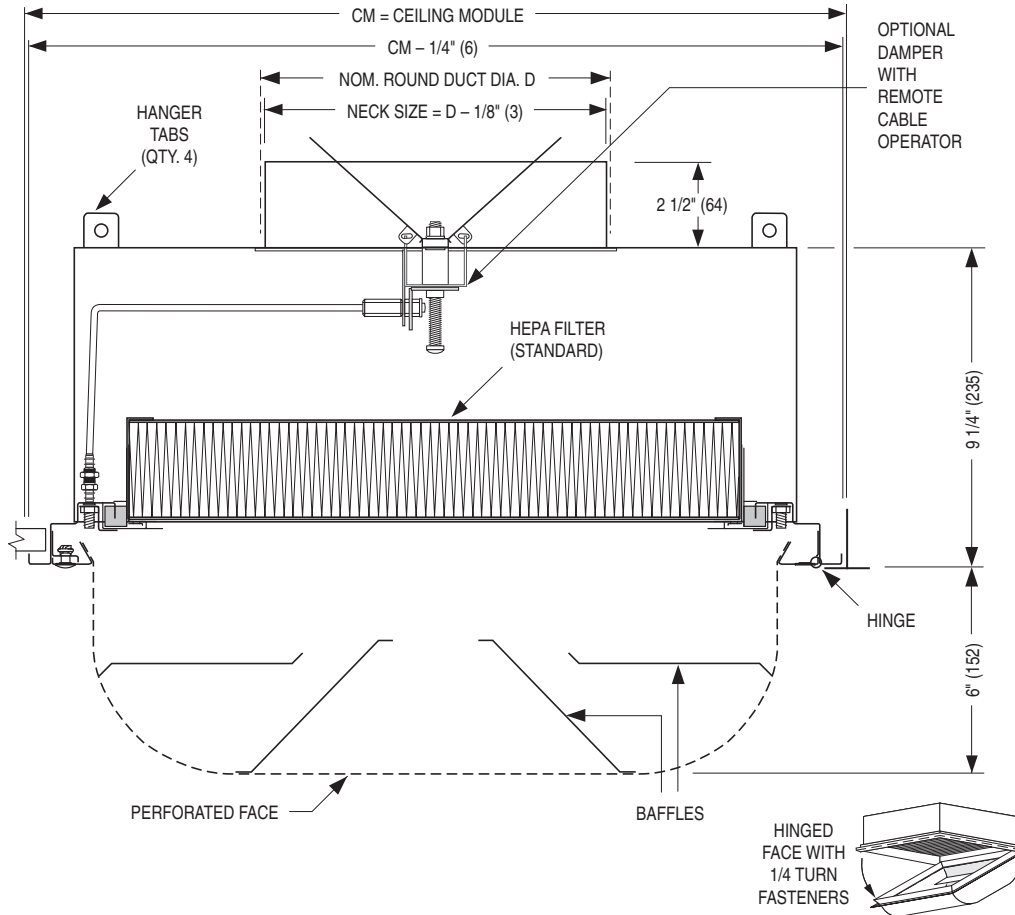


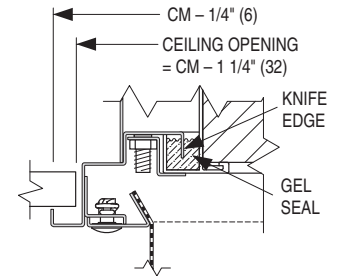


**RADIAL PATTERN DIFFUSER**

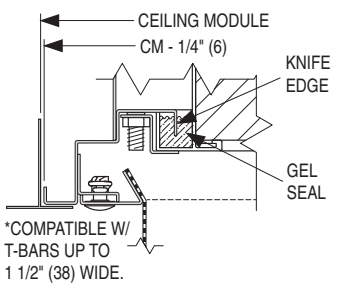
180 DEGREE • STAINLESS STEEL • CRITICAL ENVIRONMENT APPLICATIONS • PERFORATED FACE HEPA OR ULPA FILTER • DOP SCAN TESTED  
**MODEL: 92RPDF-2SS**



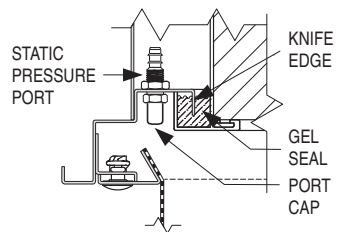
**TYPE S** Surface Mount Detail



**TYPE L\*** Lay-in T-Bar Detail



**Optional Static Pressure Port**



**Ceiling Module Sizes**

Imperial Modules				Metric Modules	
Imperial Units (inches)		S.I. Units (mm)		S.I. Units (mm)	
D	CM	D	CM	D	CM
8, 10	24 x 24	203, 254	610 x 610	203, 254	600 x 600
10, 12	48 x 24	254, 305	1219 x 610	254, 305	1200 x 600

**DESCRIPTION:**

The Model 92RPDF-2SS Radial Pattern Diffuser has been designed to provide low aspiration and high ventilation rates especially for clean room applications such as research laboratories, animal labs, food processing, hospital rooms and computer rooms. The unique design of solid baffles in an intrusive perforated face can handle large volumes of air with low initial face velocities. They are designed to accommodate a Gel Seal HEPA or ULPA filter. The filters can be easily removed and replaced from the face of the unit. The plenum is factory DOP scan tested for leaks in accordance with Standard IEST-RP-CCO34.3. The 92RPDF-2SS introduces air in a semi-cylindrical radial flow pattern, flushing a room with large volumes of clean conditioned air, minimizing entrainment and hence mixing with contaminated air while still allowing low room air velocities.

**CONSTRUCTION:**

- 304 stainless steel perforated face with 3/32" (2.4) dia. holes on 60 degree 1/4" (6) staggered centers (13% free area). The face of the diffuser is attached to the plenum with stainless steel hinges. The opposite side is secured with 1/4 turn fasteners. The diffuser face simply hinges down for easy access to the interior for cleaning.
- 304 stainless steel fully welded plenum and baffles.
- HEPA Filter: Clear anodized extruded aluminum filter frame with port for damper adjustment.
- Standard finish is #4 Brushed Satin Polished.

**OPTIONS:**

- 316 Stainless Steel construction.
  - UL ULPA Filter (99.9995% on 0.12 μm).
  - FBO Filter by others.
  - BDS Butterfly damper, Stainless Steel (face operated).
  - BDSR Butterfly damper w/remote cable operator, Stainless Steel.
  - SPP Static pressure test/DOP port.
  - CPM DOP/PAO Challenge Port and Manifold.
  - STC Scan Testing Certificate.
- Finish:
- AW Appliance White.
  - SP Special \_\_\_\_\_.

**SCHEDULE TYPE:**

**PROJECT:**

**ENGINEER:**

**CONTRACTOR:**

Dimensions are in inches (mm).

DATE	B SERIES	SUPERSEDES	DRAWING NO.
9 - 2 - 16	9200-SS	12 - 12 - 11	92RPDF-2SS