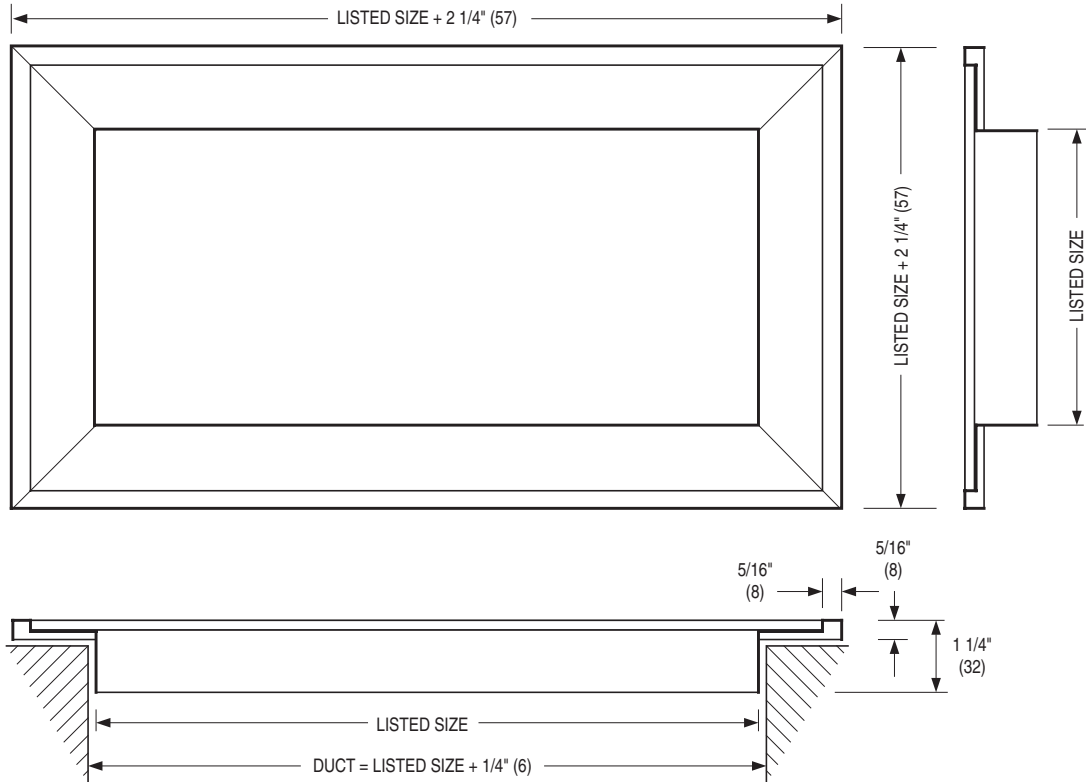


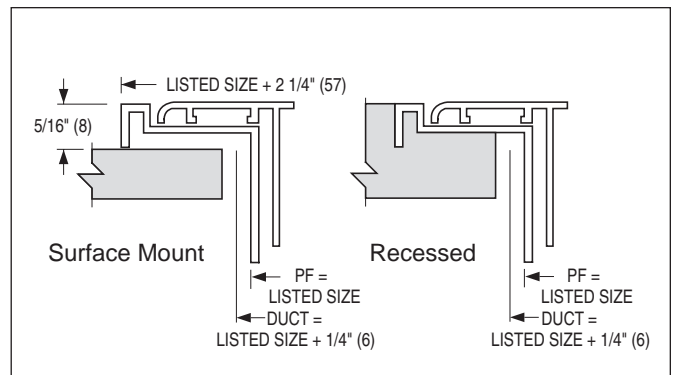


**GRILLES AND REGISTERS ACCESSORY  
PLASTER/MOUNTING FRAME**  
(FOR USE WITH MODEL SERIES 5100, 6100, AND 7100)  
**MODEL: PF**



**DESCRIPTION:**

1. Construction: Extruded aluminum frame with staked and mitered mitered corners for strength.
2. Model PF Plaster frame provides a convenient and professional method for finishing off a grille or register opening. It provides a stable anchor for attachment, while enabling the grille or register to be readily removed and replaced without disturbing the finished surface of the wall or ceiling.
3. Frames can be installed before plastering and installed in a recessed fashion or surface mounted afterwards on plaster or other material.
4. Duct openings should be 1/4" (6) larger than nominal listed size to accommodate frame.
5. Finish: Baked enamel finish to match grille or register.



<b>SCHEDULE TYPE:</b>		Dimensions are in inches (mm).			
<b>PROJECT:</b>					
<b>ENGINEER:</b>	<b>DATE</b>	<b>B SERIES</b>	<b>SUPERSEDES</b>	<b>DRAWING NO.</b>	
<b>CONTRACTOR:</b>	10 - 24 - 01	ACC-GR	5100-11	ACC-PF	