

FLANGED FRAME OPTIONS:

Available as an option on Series 1000, 1100 and 2000 steel hat channel frame control dampers, the 1 1/2" (38) flanged frames allow for direct fastening to wall or unit housings as well as flanged ductwork. Damper inside dimension can be sized to match ductwork inside dimension, providing a smooth transition that produces lower pressure drop and less turbulence across the damper. Flange frames are also available with optional 9/32" (7) dia. bolt holes on 6" (152) centers for fast, convenient installation.

OPTION CODES

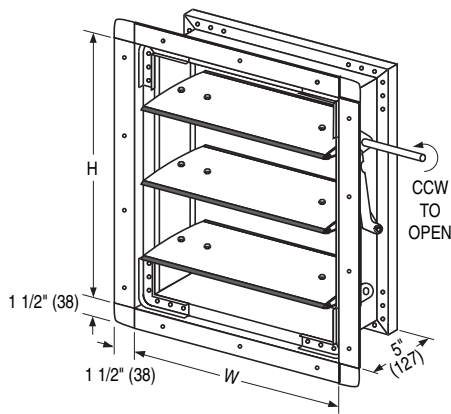
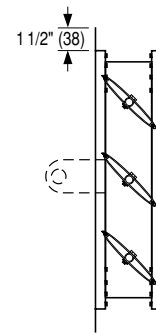
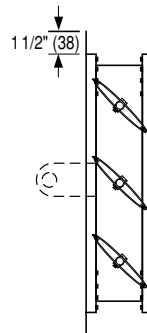
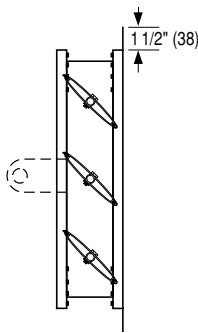
- FF** FLANGED FRONT
- FFB** FLANGED FRONT WITH BOLT HOLES

OPTION CODES

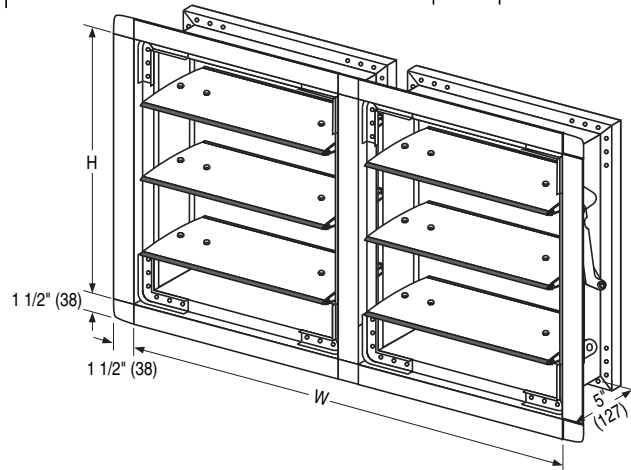
- FR** FLANGED REAR
- FRB** FLANGED REAR WITH BOLT HOLES

OPTION CODES

- FD** DOUBLE FLANGE
- FDB** DOUBLE FLANGE WITH BOLT HOLES



SINGLE SECTION DAMPER SHOWN WITH **FRB** OPTION: FLANGED REAR FRAME WITH 9/32" (7) DIA. BOLT HOLES ON 6" (152) CENTERS.



MULTIPLE SECTION DAMPER SHOWN WITH **FR** OPTION: FLANGED REAR FRAME (JACKSHAFT NOT SHOWN)