



**DYNAMIC MULTI-BLADE FIRE DAMPER**  
 FOR USE IN DYNAMIC OR STATIC SYSTEMS  
 3 HR. LABEL • AIRFOIL BLADE  
 SQUARE, RECT. OR OVAL DUCT CONNECTION  
**MODEL: D1203-3 (TYPE C SLEEVE ENCLOSURE)**



**QUALIFICATIONS:**

- **UL 555 & CAN/ULC-S112 CLASSIFIED DYNAMIC FIRE DAMPER** 3 hr. Label (File # R9492).
- **Meets NFPA 80, 90A and 101 as well as IBC and NBC (Canada) Building Code requirements.**
- **City of New York. MEA # 366-03-M.**
- **California State Fire Marshal: Fire Damper Listing No. 3225-0935:0101.**
- **Maximum velocity: 4000 fpm @ 4" w.g. (20 m/s @ 1 kPa).**

D1200-3 Series dampers are ideal for applications where building codes require a fire damper for the protection of ductwork penetrations in walls or floors that have a fire resistance rating of up to 4 hours and is classified for use in dynamic "fans on" systems where the HVAC system remains operative in the event of a fire alarm. Damper closure under airflow is assured. UL approved for installation with airflow in either direction and inverted mounting. Airfoil blade design and elimination of blade sills, top and bottom, provide a low pressure drop design. Unique, inter-locking double skin blade design provides flame and smoke seal under fire conditions. Supplied as standard with an internal locking quadrant which holds the damper in the fully open position, but may also be used for system balancing if required.

**STANDARD CONSTRUCTION:**

- Frame:** 5" x 7/8" x 16 ga. (127 x 22 x 1.6) galvanized steel hat channel.  
**Blades:** 14 ga. (2.0) equivalent galvanized steel formed airfoil on 5 1/2" (140) centers. Opposed action.  
**Linkage:** Concealed in frame. 12 ga. (2.7) plated steel.  
**Bearings:** 1/2" (13) dia. self-lubricating oilite bronze.  
**Axles:** 1/2" (13) dia. plated steel double bolted to blades.  
**Jackshaft:** 1/2" (13) dia. cadmium plated steel.  
 Internal locking quadrant is factory installed.  
**Fusible Link:** 165°F (74°C) standard. 212°F (100°C) available on single and double section sizes only.

**Square, Rectangular or Oval Duct Connection Sizes (Duct W x H):**

Velocity/ Pressure Rating	Minimum		Maximum			
	Single Sect.	Single Section		Multiple Section		
		Vertical/Horizontal	Vertical	Horizontal	Vertical	Horizontal
24	4" x 4" (102 x 102). Overall damper size is 8" x 8" (203 x 203) min.	34" x 46" (864 x 1168)	30" x 46" (762 x 1168)	58" x 94" (1473 x 2388) duct size (Individual sections not to exceed 28" x 46" [711 x 1168] duct size).		
34, 44				—		

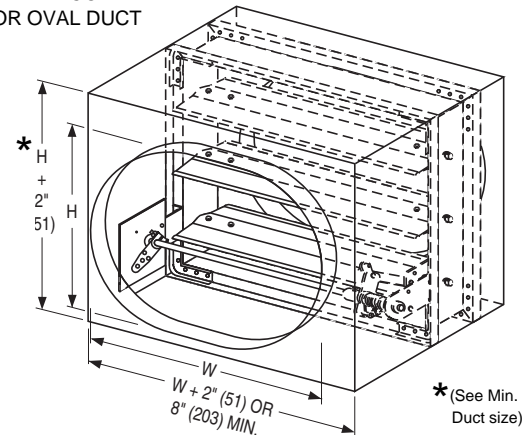
**SLEEVE/ENCLOSURE SELECTION:**

- D1203-3** Standard factory sleeve 16" long x 20 ga. (406 x 1.0).
- D1203-3** Non-standard sleeve. Specify \_\_\_ length \_\_\_ ga. Available up to 36" (914) dependent upon wall thickness and 10 – 20 ga. (3.5 – 1.0).

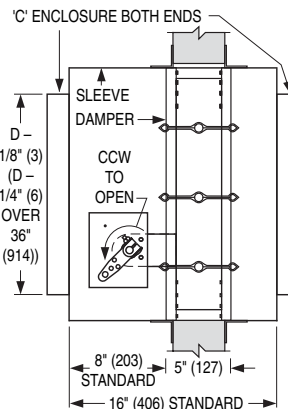
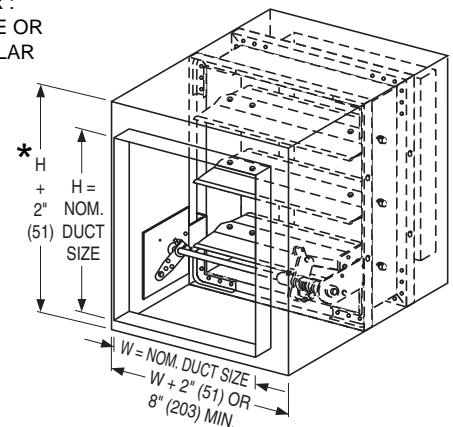
**DYNAMIC VELOCITY/PRESSURE RATING:**

- 24** 2000 fpm @ 4" w.g. (Standard)
- 34** 3000 fpm @ 4" w.g. } (Optional)
- 44** 4000 fpm @ 4" w.g. }

TYPE CO :  
FOR OVAL DUCT



TYPE CSR :  
FOR SQUARE OR RECTANGULAR DUCT



Wall Thickness	Minimum Sleeve Length
4 (102)	16 (406)
8 (203)	20 (508)
12 (305)	24 (610)
16 (406)	28 (711)

**OPTIONS:**

- BS** Stainless steel bearings
- MLS-300** Position indicator switch pack
- JSM** Flexible metal jamb seals
- QS1** Quick-set retaining angle (one side)
- QS2** Quick-set retaining angles (two sides)
- Special features** \_\_\_\_\_

For installation instructions, see IOM-MBFDINST.  
 Dimensions are in inches (mm).

<b>SCHEDULE TYPE:</b>				
<b>PROJECT:</b>				
<b>ENGINEER:</b>	<b>DATE</b>	<b>B SERIES</b>	<b>SUPERSEDES</b>	<b>DRAWING NO.</b>
<b>CONTRACTOR:</b>	4 - 28 - 14	D1200	5 - 10 - 11	D1200-3-4