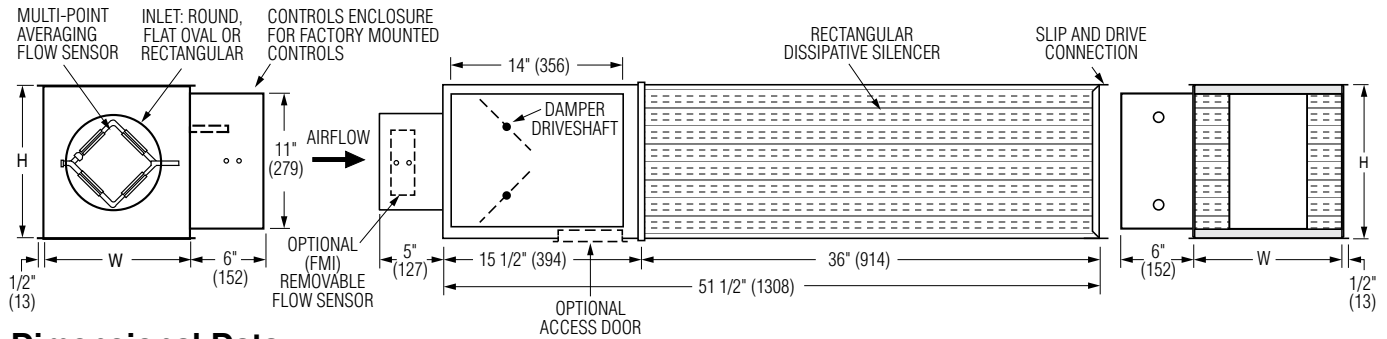




**SINGLE DUCT TERMINAL UNIT WITH
DISSIPATIVE SILENCER • SUPER QUIET
DIGITAL CONTROLS • VARIABLE OR CONSTANT VOLUME
MODEL: D3001Q**



Dimensional Data

Unit Size	Airflow Range* cfm (l/s)	W	H	Inlet Size
4	0 – 225 (0 – 106)	10 (254)	10 (254)	3 7/8 (98) Round
5	0 – 400 (0 – 189)	10 (254)	10 (254)	4 7/8 (124) Round
6	0 – 550 (0 – 260)	10 (254)	10 (254)	5 7/8 (149) Round
7	0 – 800 (0 – 378)	12 (305)	12 1/2 (318)	6 7/8 (175) Round
8	0 – 1100 (0 – 519)	12 (305)	12 1/2 (318)	7 7/8 (200) Round
9	0 – 1400 (0 – 661)	14 (356)	12 1/2 (318)	8 7/8 (225) Round
10	0 – 1840 (0 – 868)	14 (356)	12 1/2 (318)	9 7/8 (251) Round
12	0 – 2500 (0 – 1180)	18 (457)	12 1/2 (318)	12 15/16 x 9 13/16 (329 x 249) Oval
14	0 – 3125 (0 – 1475)	24 (610)	12 1/2 (318)	16 1/16 x 9 13/16 (408 x 249) Oval
16	0 – 3725 (0 – 1758)	28 (711)	12 1/2 (318)	19 3/16 x 9 13/16 (487 x 249) Oval
24 x 16	0 – 8330 (0 – 3931)	38 (965)	18 (457)	23 7/8 x 15 7/8 (606 x 403) Rect.

* Maximum airflow limit is based upon 1.5" w.g. (373 Pa) max. differential pressure signal from Diamond Flow Sensor.

Standard Features:

- Designed for noise sensitive applications such as classrooms, libraries, studios and performance halls.
- 22 ga. (0.86) zinc coated steel casing, mechanically sealed, low leakage construction.
- 16 ga. (1.63) corrosion-resistant steel inclined opposed blade damper with extruded PVC seals (single blade on size 4, 5, 6). 45° rotation, CW to close. Tight close-off. Damper leakage is less than 2% of the terminal rated airflow at 3" w.g. (750 Pa).
- 1/2" (13) dia. plated steel drive shaft. An indicator mark on the end of the shaft shows damper position.
- Multi-point averaging Diamond Flow Sensor. Aluminum construction. Supplied with balancing tees.
- Rectangular discharge with slip and drive cleat duct connection.
- Full NEMA 1 type controls enclosure for factory mounted controls.
- VAV section is lined with 3/4" (19), dual density insulation, exposed edges coated to prevent air erosion. Meets the

requirements of NFPA 90A and UL 181.

- Right-hand controls location is standard (shown) when looking in direction of airflow. Optional left hand controls mounting is available.

Silencer Section:

- Designed to mate w/VAV section for optimum performance and super quiet operation.
- Optimized internal baffle geometry reduces self-generated noise, minimizes pressure drop and maximizes acoustic attenuation.
- 22 ga. (0.86) coated steel perforated baffles encapsulate fiberglass acoustic media.
- Internal insulation on top and bottom exposed panels optimizes sound reduction and eliminates need for external field applied thermal duct wrap.

Digital Controls:

- Factory mounted (supplied by others)
 - Field mounted (supplied by others)
 - Nailor EZvav
- See separate submittal.

Options and Accessories:

- 24 VAC control transformer.
 - Toggle disconnect switch.
 - FMI Removable insert type Flow Sensor.
 - Controls enclosure for field mounted controls.
 - Bottom access door.
 - Dust tight enclosure seal.
 - 20 ga. (1.00) construction.
 - Hanger brackets.
- Seismic Certification:
- Seismic Source International (Standard)
 - HCAI (formerly OSHPD, California)
 - Special Features: _____
- Terminal Unit Liner:**
- Steri-liner.
 - Fiber-free liner.
 - Steri-liner + Perforated metal liner.
 - Perforated metal liner.
 - Solid metal liner.
 - 1" (25) liner.
- Silencer Acoustic Media:**
- Fiberglass cloth liner.
 - Mylar/Spacer liner.



Intertek



SCHEDULE TYPE:
PROJECT:
ENGINEER:
CONTRACTOR:

Page 1 of 1.
Dimensions are in inches (mm).

DATE	B SERIES	SUPERSEDES	DRAWING NO.
2 - 27 - 24	3000	3 - 12 - 18	D3001Q