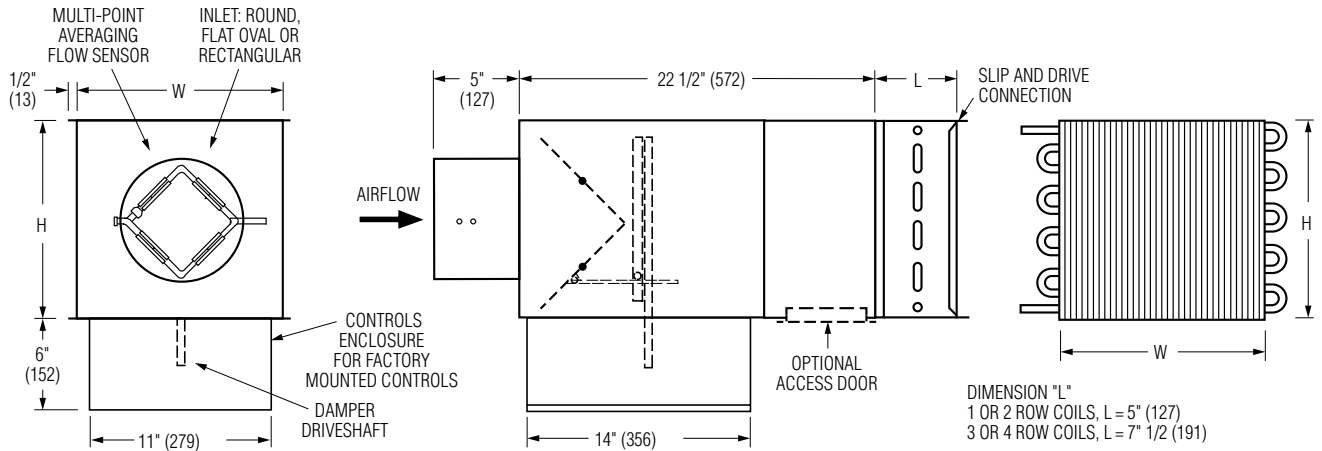




**SINGLE DUCT TERMINAL UNIT W/HOT WATER REHEAT**  
**DIGITAL CONTROLS • PRESSURE INDEPENDENT**  
**CONSTANT OR VARIABLE VOLUME**  
**MODEL: D30RW WITH BOTTOM MOUNT CONTROLS**  
**LOCATION (OPTION OB)**



**Dimensional Data**

Unit Size	Airflow Range* cfm (l/s)	W	H	Inlet Size	Coil Connections			
					1 Row	2 Row	3 Row	4 Row
4	0 – 225 (0 – 106)	10 (254)	10 (254)	3 7/8 (98) Round	1/2 (13)	7/8 (22)	7/8 (22)	7/8 (22)
5	0 – 400 (0 – 189)	10 (254)	10 (254)	4 7/8 (124) Round	1/2 (13)	7/8 (22)	7/8 (22)	7/8 (22)
6	0 – 550 (0 – 260)	10 (254)	10 (254)	5 7/8 (149) Round	1/2 (13)	7/8 (22)	7/8 (22)	7/8 (22)
7	0 – 800 (0 – 378)	12 (305)	12 1/2 (318)	6 7/8 (175) Round	1/2 (13)	7/8 (22)	7/8 (22)	7/8 (22)
8	0 – 1100 (0 – 519)	12 (305)	12 1/2 (318)	7 7/8 (200) Round	1/2 (13)	7/8 (22)	7/8 (22)	7/8 (22)
9	0 – 1400 (0 – 661)	14 (356)	12 1/2 (318)	8 7/8 (225) Round	1/2 (13)	7/8 (22)	7/8 (22)	7/8 (22)
10	0 – 1840 (0 – 868)	14 (356)	12 1/2 (318)	9 7/8 (251) Round	1/2 (13)	7/8 (22)	7/8 (22)	7/8 (22)
12	0 – 2500 (0 – 1180)	18 (457)	12 1/2 (318)	12 15/16 x 9 13/16 (329 x 249) Oval	1/2 (13)	7/8 (22)	7/8 (22)	7/8 (22)
14	0 – 3125 (0 – 1475)	24 (610)	12 1/2 (318)	16 1/16 x 9 13/16 (408 x 249) Oval	1/2 (13)	7/8 (22)	7/8 (22)	7/8 (22)
16	0 – 3725 (0 – 1758)	28 (711)	12 1/2 (318)	19 3/16 x 9 13/16 (487 x 249) Oval	7/8 (22)	7/8 (22)	7/8 (22)	7/8 (22)
24 x 16	0 – 8330 (0 – 3931)	38 (965)	18 (457)	23 7/8 x 15 7/8 (606 x 403) Rect.	7/8 (22)	7/8 (22)	1 3/8 (35)	1 3/8 (35)

\* Maximum airflow limit is based upon 1.5" w.g. (373 Pa) max. differential pressure signals from Diamond Flow Sensor.

**Standard Features:**

- Bottom mount controls location with vertical drive shaft (option code OB).
- 22 ga. (0.86) zinc coated steel casing, mechanically sealed, low leakage construction.
- 16 ga. (1.61) corrosion-resistant steel inclined opposed blade damper with extruded PVC seals (single blade on size 4, 5, 6). 45° rotation, CW to close. Tight close-off. Damper leakage is less than 2% of the terminal rated airflow at 3" w.g. (750 Pa).
- 1/2" (13) dia. plated steel drive shaft. An indicator mark on the end of the shaft shows damper position.
- Multi-point averaging Diamond Flow Sensor. Aluminum construction. Supplied with balancing tees.
- Rectangular discharge with slip and drive cleat duct connection.

- Full NEMA type-1 controls enclosure for factory mounted controls.
- 3/4" (19), dual density insulation, exposed edges coated to prevent air erosion. Meets the requirements of NFPA 90A and UL 181.

**Hot Water Coil Section:**

- 1/2" (13) Copper tubes and aluminum ripple fins, 10 per inch.
- 1, 2, 3 or 4 row.
- Left or right hand connection. Determined by looking in direction of airflow (RH illustrated).
- 1/2" (13), 7/8" (22) or 1 3/8" (35) O.D. male solder sweat connections.

**Digital Controls:**

- Factory mounted (supplied by others)
  - Field mounted (supplied by others)
  - Nailor EZvav
- See separate submittal.

**Options and Accessories:**

- Steri-liner.
- Fiber-free liner.
- Steri-liner + Perforated metal liner.
- Perforated metal liner.
- Solid metal liner.
- 1" (25) liner.
- FMI Removable insert type Flow Sensor.
- Bottom access door.
- 24 VAC Control transformer.
- Toggle disconnect switch.
- Hanger brackets.
- Controls enclosure for field mounted controls.
- Dust tight enclosure seal.
- Ultra low leakage casing.
- Special Features: \_\_\_\_\_



**Intertek**

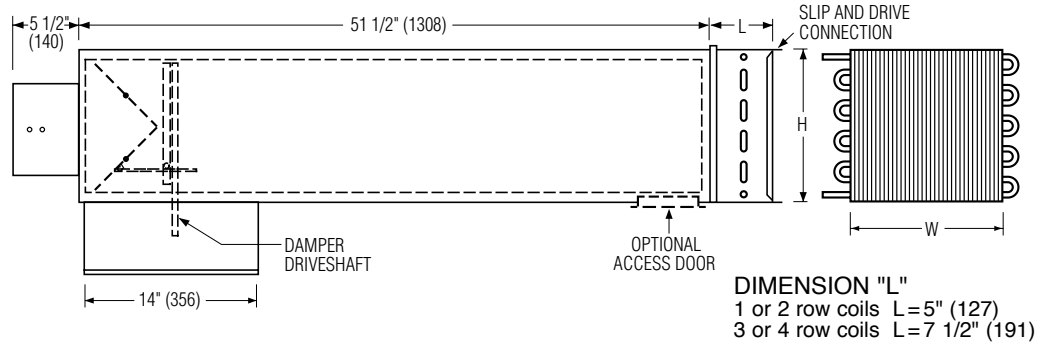
<b>SCHEDULE TYPE:</b>				
<b>PROJECT:</b>				
<b>ENGINEER:</b>	<b>DATE</b>	<b>B SERIES</b>	<b>SUPERSEDES</b>	<b>DRAWING NO.</b>
<b>CONTRACTOR:</b>	1 - 10 - 25	3000	2 - 27 - 24	D30RW-2



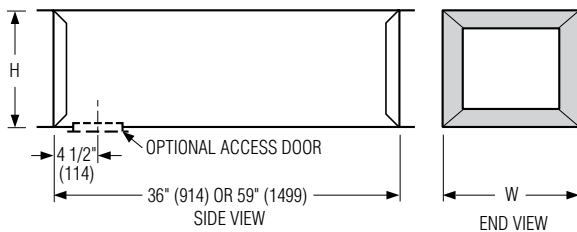
**SINGLE DUCT TERMINAL UNIT WITH HOT WATER REHEAT ACCESSORIES**  
**DIGITAL CONTROLS • PRESSURE INDEPENDENT**  
**MODEL: D30RW WITH BOTTOM MOUNT CONTROLS**  
**ENCLOSURE (OPTION OB)**

**AT3I 3' Integral Sound Attenuator plus Hot Water Coil**

- Single continuous length terminal construction minimizes casing leakage.
- Continuous internal insulation reduces insulation seams and minimizes airflow disturbance.
- Supplied with same liner as basic unit.



**AT3S 3' Separate Discharge Sound Attenuator**

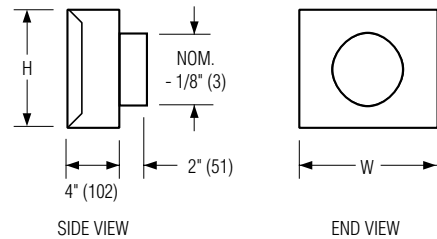


- 22 ga. (0.86) galvanized steel construction.
- Slip and drive connection.
- Supplied with same liner as basic unit.

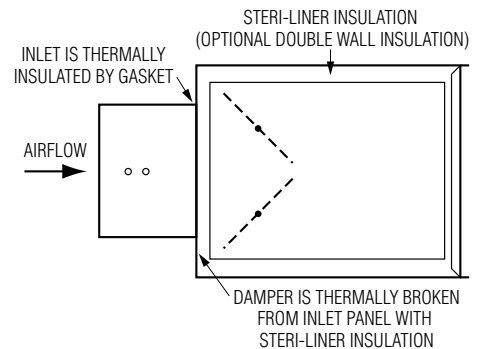
**Standalone Models:**

- AT303 3'** (916) Long - Standard.
- AT305 5'** (1524) Long - Optional.
- Special Features:**

**FF Round Discharge Collar**



**FTL Low Temperature Construction**



**Dimensional Data**

Unit Size	W	H	Access Door	FF Nominal Outlet Size
4, 5, 6	10 (254)	10 (254)	8 x 5 (203 x 127) Flat Oval	4, 5, 6 (102, 127, 152)
7, 8	12 (305)	12 1/2 (318)		7, 8 (178, 203)
9, 10	14 (356)	12 1/2 (318)		9, 10 (229, 254)
12	18 (457)	12 1/2 (318)		12 (305)
14	24 (610)	12 1/2 (318)	12 x 6 (305 x 152) Flat Oval	14 (356)
16	28 (711)	12 1/2 (318)		16 (406)
24 x 16	38 (965)	18 (457)		-

For Factory Mounted Valve/Piping Package Orientation, See drawing D30RWVP-1.

Page 2 of 2.

Dimensions are in inches (mm).

<b>SCHEDULE TYPE:</b>				
<b>PROJECT:</b>				
<b>ENGINEER:</b>	<b>DATE</b>	<b>B SERIES</b>	<b>SUPERSEDES</b>	<b>DRAWING NO.</b>
<b>CONTRACTOR:</b>	1 - 10 - 25	3000	2 - 27 - 24	D30RW-2