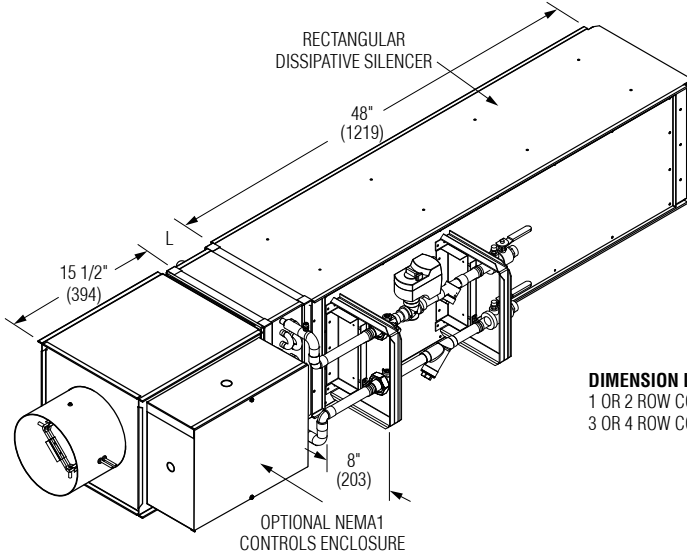


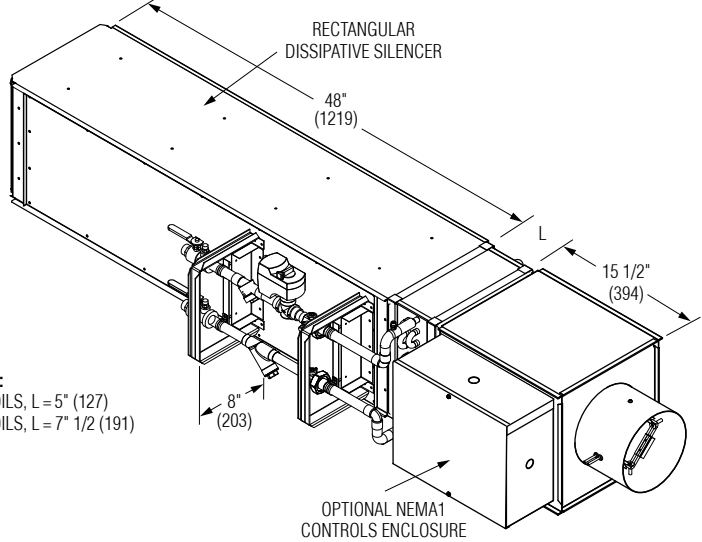


**SINGLE DUCT TERMINAL UNIT WITH  
HOT WATER REHEAT AND SILENCER  
FACTORY MOUNTED VALVE /PIPING PACKAGE  
ORIENTATION  
MODELS: D30RWQ AND D30HQW**

**OR - WR - VPND**  
RIGHT HAND CONTROLS LOCATION &  
RIGHT HAND PIPING PACKAGE (TOWARDS DISCHARGE)

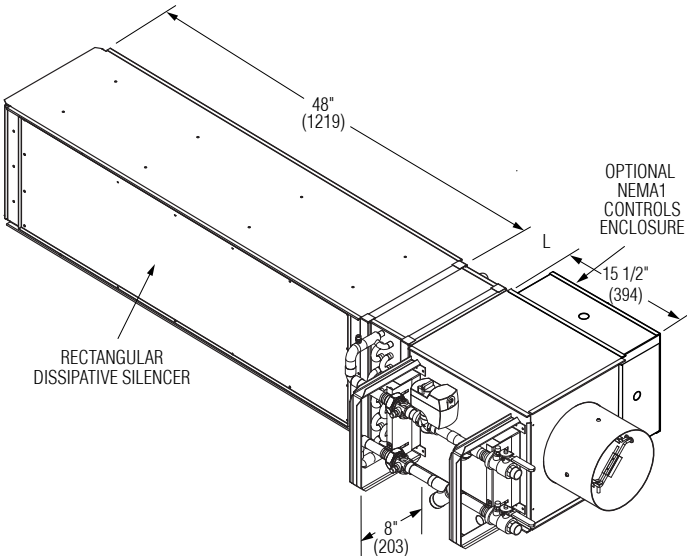


**OL - WL - VPND**  
LEFT HAND CONTROLS LOCATION &  
LEFT HAND PIPING PACKAGE (TOWARDS DISCHARGE)

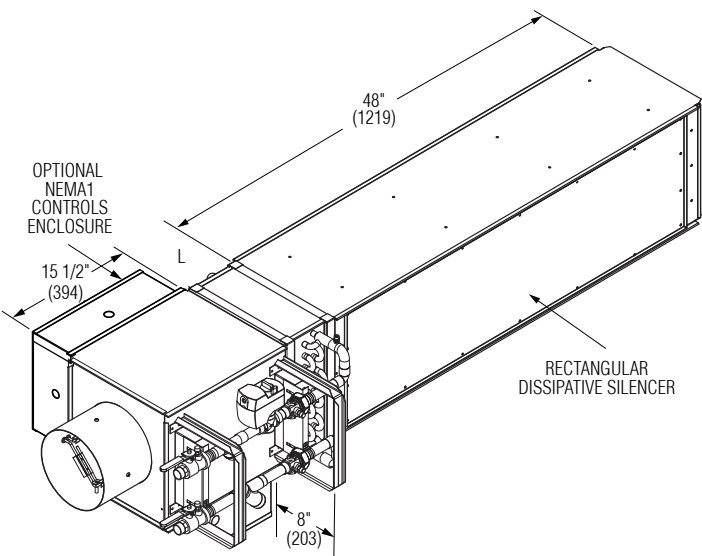


**DIMENSION L:**  
1 OR 2 ROW COILS, L = 5" (127)  
3 OR 4 ROW COILS, L = 7" 1/2 (191)

**OR - WL - VPNI**  
RIGHT HAND CONTROLS LOCATION &  
LEFT HAND PIPING PACKAGE (TOWARDS INLET)



**OL - WR - VPNI**  
LEFT HAND CONTROLS LOCATION &  
RIGHT HAND PIPING PACKAGE (TOWARDS INLET)



**HW Coil Position:**  
Box/Coil/Silencer (BCS)

- NOTES:**
1. Valve/Piping packages are factory assembled, leakage tested and shipped as shown.
  2. Factory mounted valve/piping package features robust mounting hardware for support and protection.
  3. Refer to terminal unit submittal for unit size dimensions.

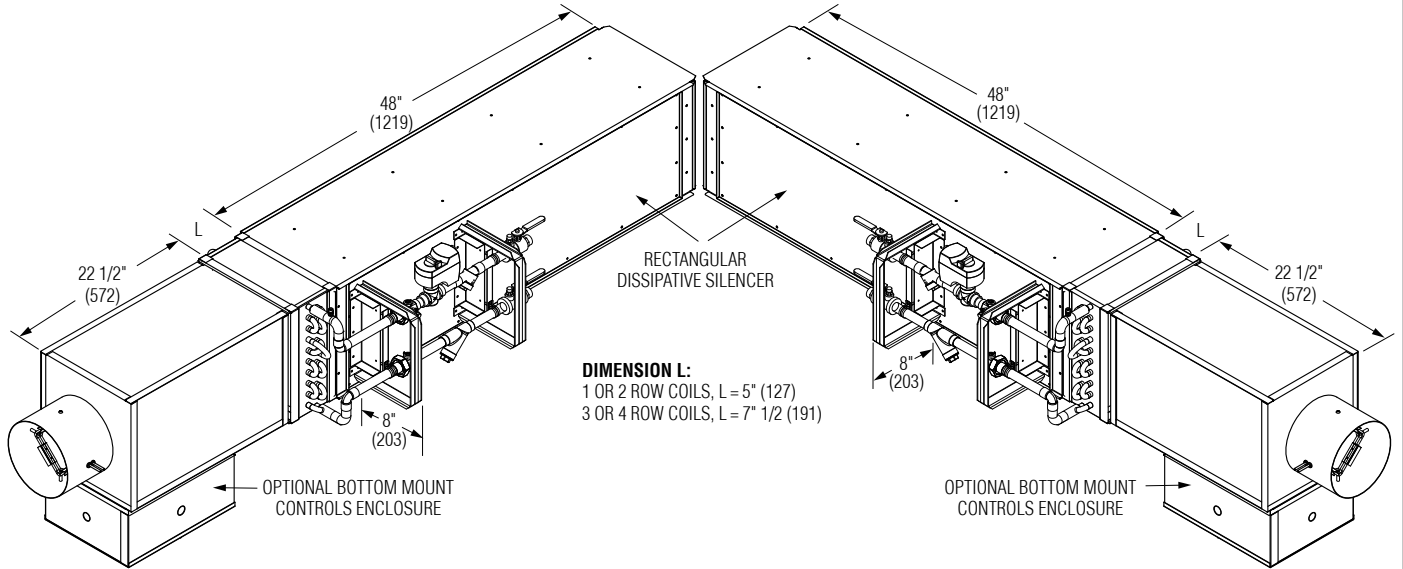
<b>SCHEDULE TYPE:</b>	Page 1 of 2.			
<b>PROJECT:</b>	Dimensions are in inches (mm).			
<b>ENGINEER:</b>	<b>DATE</b>	<b>B SERIES</b>	<b>SUPERSEDES</b>	<b>DRAWING NO.</b>
<b>CONTRACTOR:</b>	11 - 26 - 24	3000	3 - 20 - 23	D30RWQVP-1



**SINGLE DUCT TERMINAL UNIT WITH  
HOT WATER REHEAT AND SILENCER  
FACTORY MOUNTED VALVE /PIPING PACKAGE  
ORIENTATION  
MODELS: D30RWQ AND D30HQW**

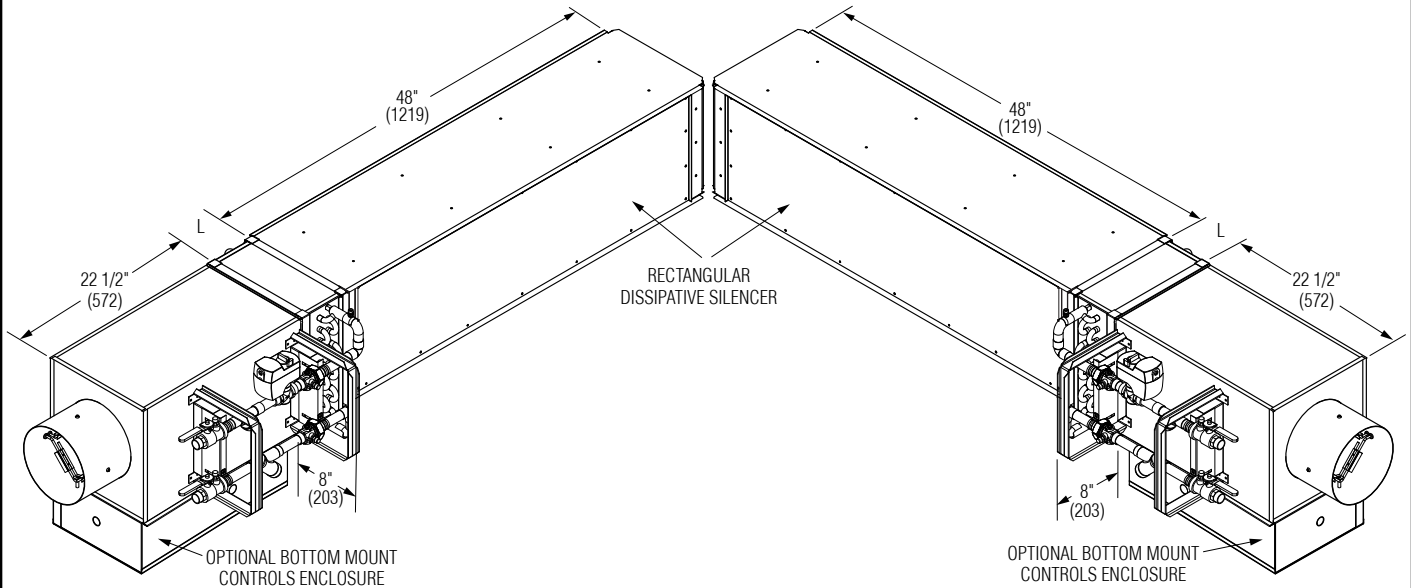
**OB - WR - VPND**  
BOTTOM MOUNT CONTROLS LOCATION &  
RIGHT HAND PIPING PACKAGE (TOWARDS DISCHARGE)

**OB - WL - VPND**  
BOTTOM MOUNT CONTROLS LOCATION &  
LEFT HAND PIPING PACKAGE (TOWARDS DISCHARGE)



**OB - WR - VPNI**  
BOTTOM MOUNT CONTROLS LOCATION &  
RIGHT HAND PIPING PACKAGE (TOWARDS INLET)

**OB - WL - VPNI**  
BOTTOM MOUNT CONTROLS LOCATION &  
LEFT HAND PIPING PACKAGE (TOWARDS INLET)



**HW Coil Position:**  
Box/Coil/Silencer (BCS)

- NOTES:**
1. Valve/Piping packages are factory assembled, leakage tested and shipped as shown.
  2. Factory mounted valve/piping package features robust mounting hardware for support and protection.
  3. Refer to terminal unit submittal for unit size dimensions.

<b>SCHEDULE TYPE:</b>	Page 2 of 2.			
<b>PROJECT:</b>	Dimensions are in inches (mm).			
<b>ENGINEER:</b>	<b>DATE</b>	<b>B SERIES</b>	<b>SUPERSEDES</b>	<b>DRAWING NO.</b>
<b>CONTRACTOR:</b>	11 - 26 - 24	3000	3 - 20 - 23	D30RWQVP-1